



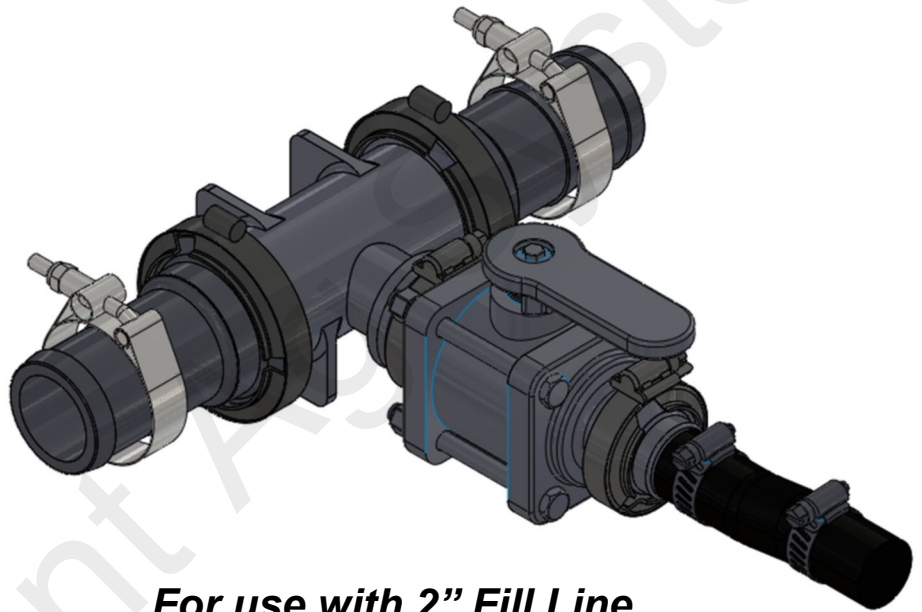
# 396-2887Y1

## Plumbing Discharge Kit Installation Instructions

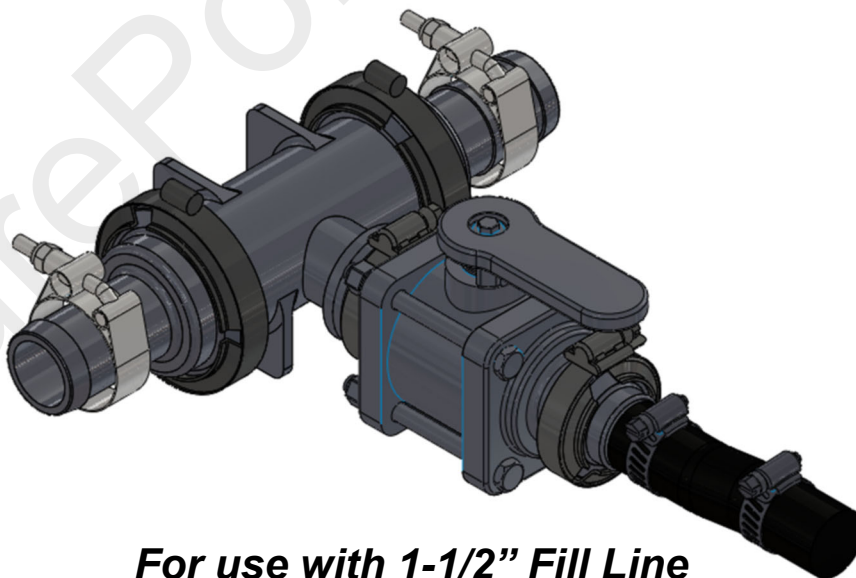
**Kit Number: 520-00-103500**

**Kit Description:**

*2" or 1-1/2" Fill Line to 3/4" Tie In Kit for Tower*



***For use with 2" Fill Line***

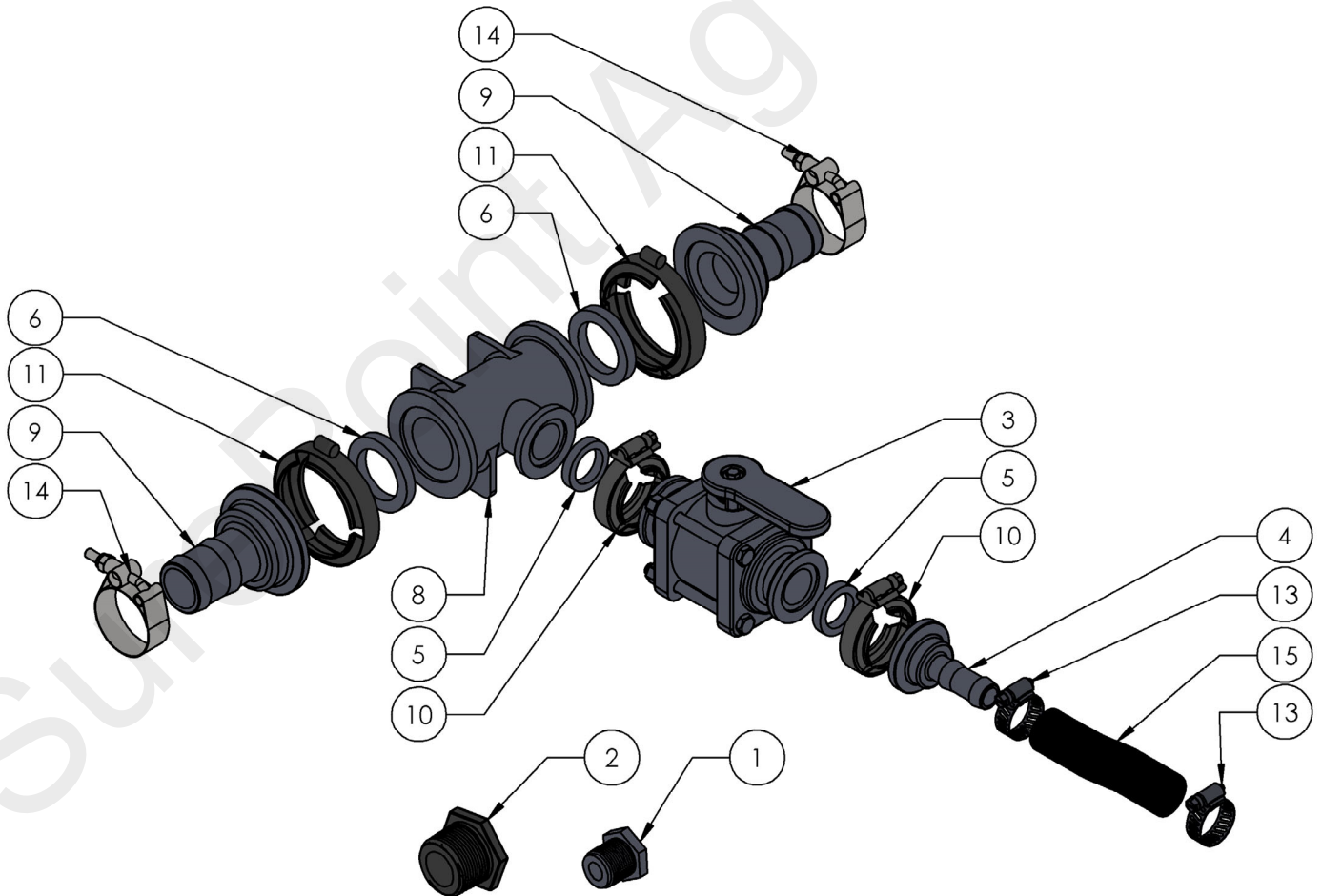


***For use with 1-1/2" Fill Line***



# Parts List and Exploded View

ITEM NO.	PART NUMBER	DESCRIPTION	QTY.
1	100-075PLUG	3/4" Pipe Plug	1
2	100-125PLUG	1-1/4" Pipe Plug	1
3	102-100MVCF	1" Manifold Standard Port Poly Valve	1
4	105-100075BRB	1" Manifold x 3/4" HB	1
5	105-100G-H	1" EPDM Manifold Gasket	2
6	105-150G-H	1 1/2" EPDM Gasket	2
7	105-200BRB	2" Manifold x 2" HB	2
8	105-200100TEE	2" Manifold x 1" Manifold Tee	1
9	105-200150BRB	2" Manifold X 1-1/2" HB	2
10	105-FC100	1" Manifold Clamp	2
11	105-FC200	2" Manifold Clamp	2
12	350-TC288	T-Bolt Hose Clamp - 2.31 - 2.62" Diameter	2
13	350-1208	SS Hose Clamp - Size 12 - 1-1/4" Diameter	2
14	350-TC238	T-Bolt Hose Clamp - 1.81 - 2.06" Diameter	2
15	280-075-AG200	3/4" AG200 Hose	1
16	105-100075BRB90	1" Manifold x 3/4" HB—90 Degree (Optional)	1





# Step by Step Instructions

1. Assemble Discharge Kit as shown on previous page.
2. Using the correct size hose barbs for your fill kit, cut 2" or 1-1/2" fill line and insert the two hose barbs of the discharge kit into fill line. Tighten with hose clamps provided.
3. Included 3/4" and 1-1/4" plugs can be used as necessary to plug unused fill/discharge bung on tank.
4. Route provided 3/4" hose to SurePoint Ag Tower system. Tighten with hose clamps provided. *(Item 16, 90° hose barb can also be used in this location)*

NOTE: Splice into the fill line where it will be convenient to close the valve while filling the tank.

