



# 396-2886Y1

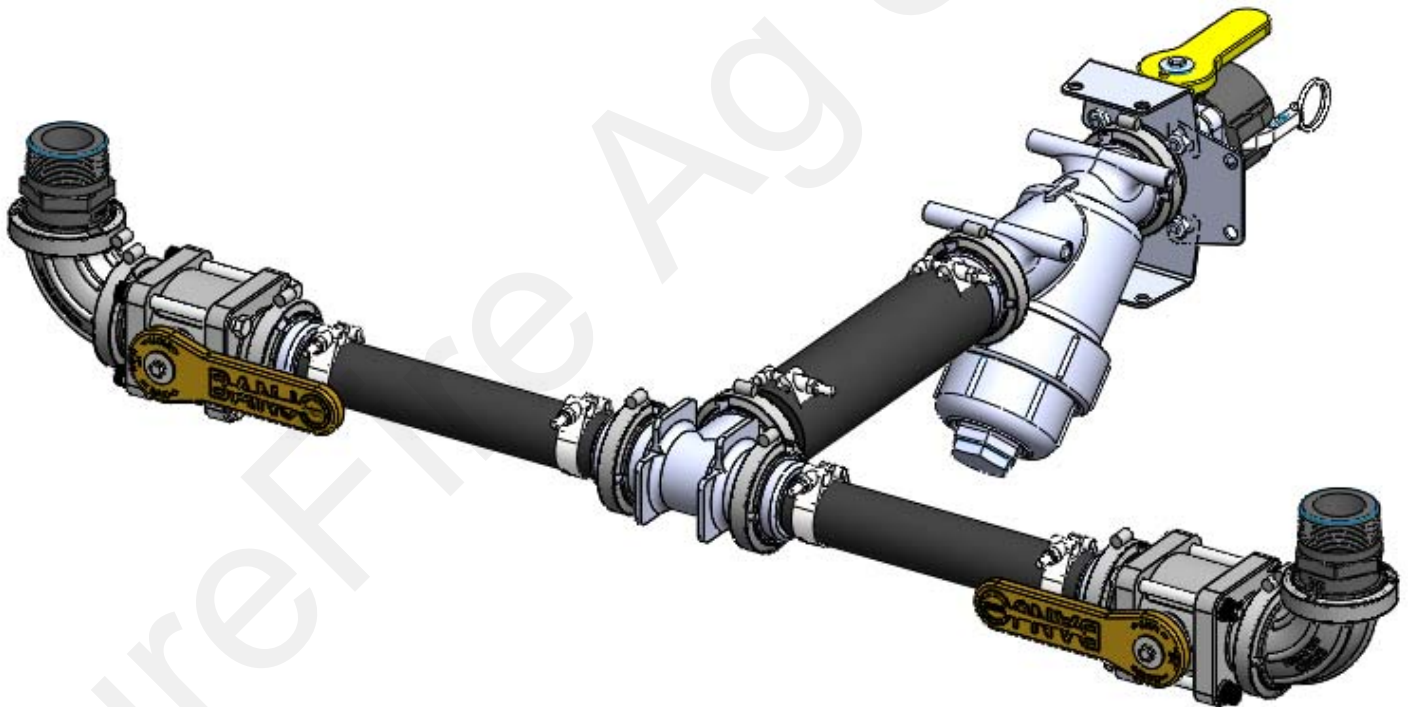
## Plumbing Fill Kit

### Installation Instructions

**Kit Number: 520-00-102100**

**Kit Description:**

*2" Flange Fill Kit for 2 tanks with 2" and 1-1/2" hose*



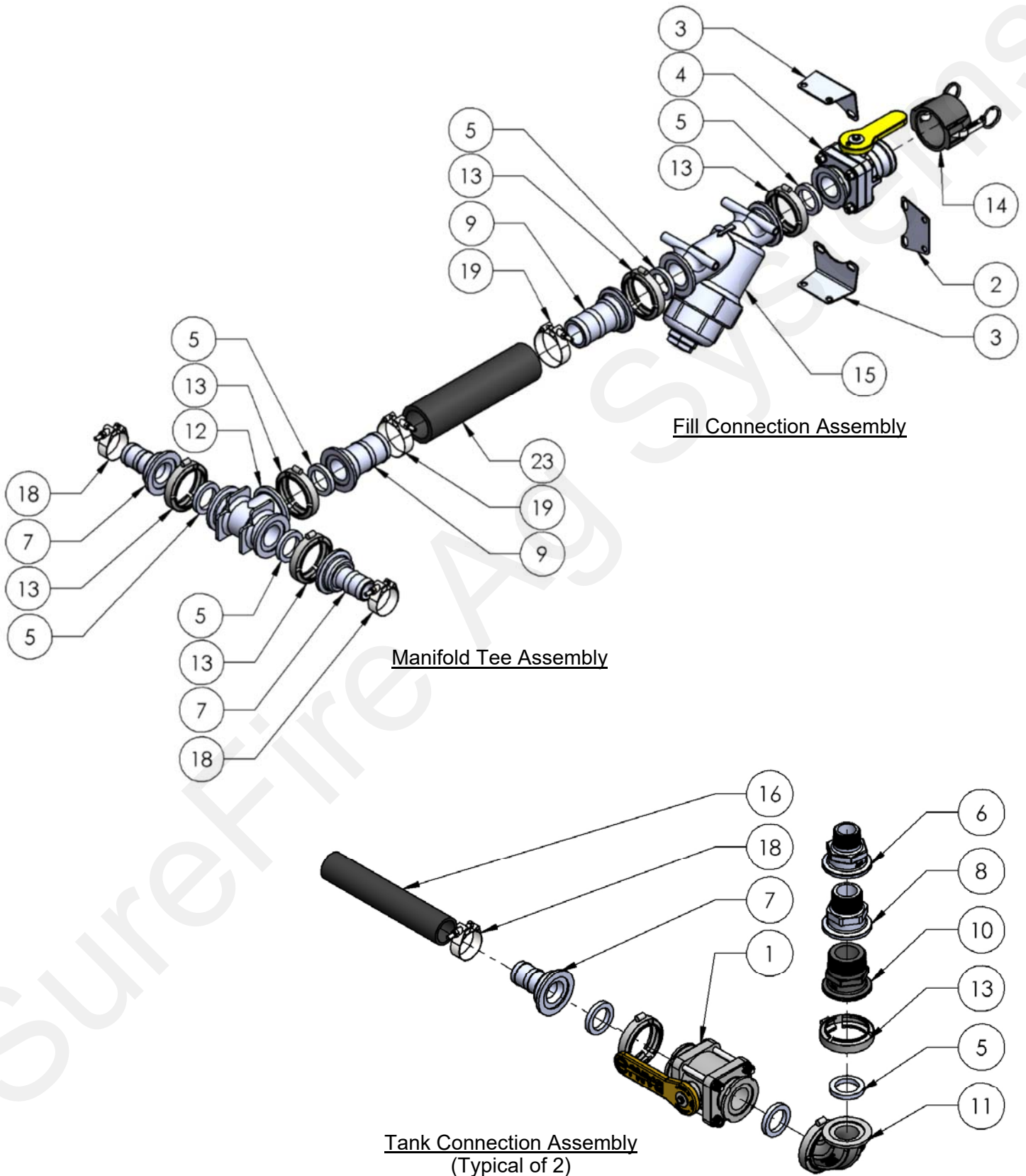


# Parts List and Exploded View

ITEM NO.	PART NUMBER	DESCRIPTION	QTY.
1	102-200MVCF	2" Manifold Standard Port Poly Valve	2
2	102-200VBR	2" Mounting Bracket - Straight	1
3	102-200VBR-90	2" Mounting Bracket - 90 degree	2
4	102-200VSFCF	200 Series Manifold x 2" Male Quick Coupler Std Port Valve	1
5	105-150G	1 1/2" EPDM Gasket	11
6	105-200125MPT	2" Manifold x 1-1/4" MPT	2
7	105-200150BRB	2" Manifold X 1-1/2" HB	4
8	105-200150MPT	2" Manifold x 1-1/2" MPT	2
9	105-200BRB	2" Manifold x 2" HB	2
10	105-200MPT	2" Manifold x 2" MPT	2
11	105-200SWP90	2" Manifold Sweep - 90 Degree	2
12	105-200TEE	2" Flanged Tee Fitting	1
13	105-FC200	2" Manifold Clamp	11
14	106-200CAP	2" Cap	1
15	109-200MLS-20M	2" Manifold Y Strainer - 20Mesh w/ 5/16" bolt holes for mounting	1
16	280-150-ENF	1-1/2" Enforcer Fertilizer Solution Hose	20
17	280-200-ENF	2" Enforcer Fertilizer Solution Hose	20
18	350-TC181	T-Bolt Hose Clamp - 1.81 - 2.06" Diameter	4
19	350-TC231	T-Bolt Hose Clamp - 2.31 - 2.62" Diameter	2
20	333-0516	5/16" Fender Washer - 1" O.D.	6
21	341-120104	Self Drilling Screw - Size 12 x 1-1/4"	9
22	384-1095	Hardware Kit - 3/8" Hex Cap Bolts and 3/8" Flange Nuts (Qty: 4)	1

\*Fittings included for 1-1/4", 1-1/2" or 2" tank opening.

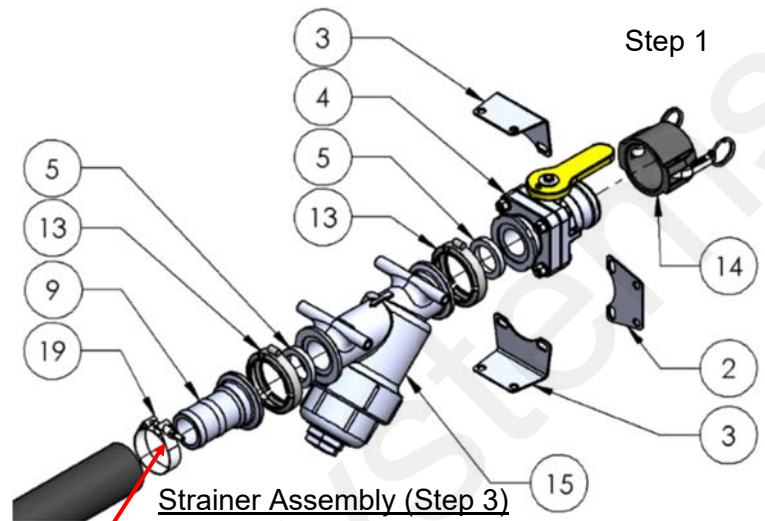
# Parts List and Exploded View



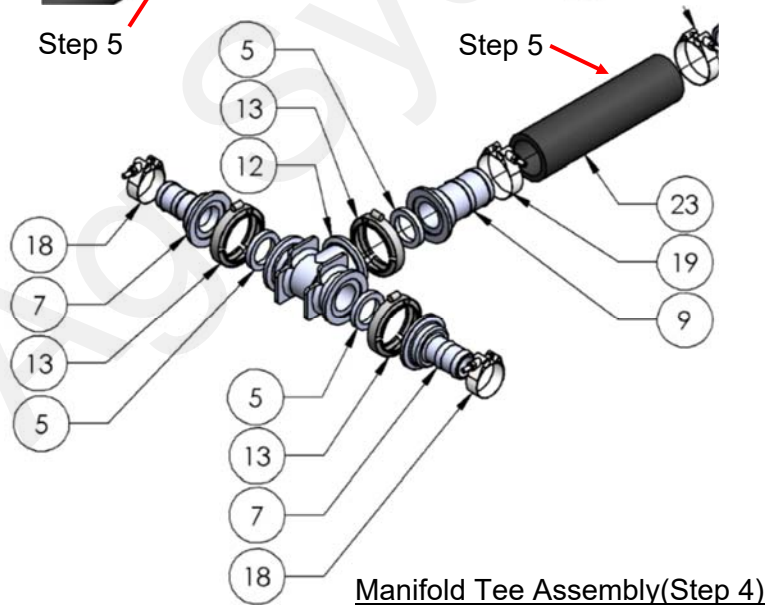


# Step by Step Instructions

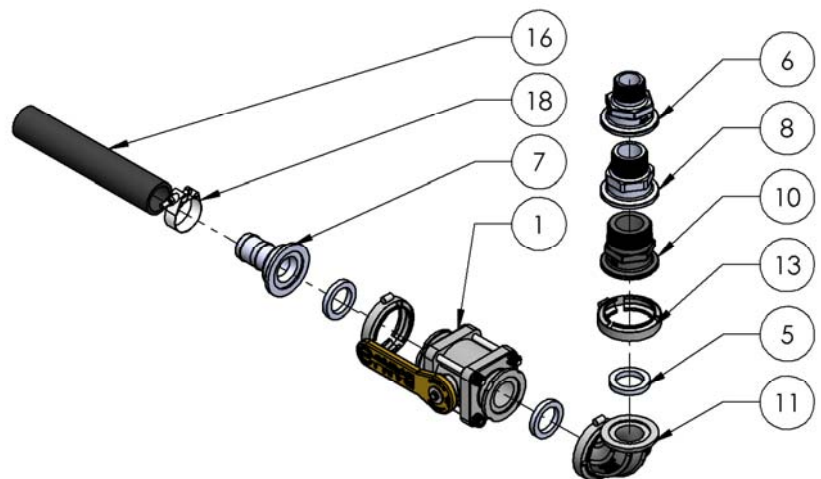
1. Remove nuts on Poly Valve (Item 4) as required to fasten mounting brackets (Item 2 or Item 3) to valve and replace nuts, tighten. *(Often, only one bracket is used to mount the fill valve. Straight and 90° bracket are shown to illustrate both options.)*
2. Using hardware kits (Items 20, 21 and 22) fasten poly valve mounting brackets to implement.
3. Continue to assemble fill kit strainer assembly as shown.



4. Assemble 2" Manifold Tee assembly as shown.
5. Route 2" hose from strainer assembly hose barb (Item 9) to Manifold Tee hose barb (Item 9) and tighten with hose clamps (Item 17).



6. Thread 2", 1-1/2" or 1-1/4" Manifold x MPT fitting into tank opening.
7. Assemble tank valve manifold fittings as shown.
8. Route 1-1/2" hose (Item 16) from manifold tee assembly hose barb (Item 7) to tank opening hose barb (Item 7) and tighten using two hose clamps (Item 18).



Tank Connection Assembly