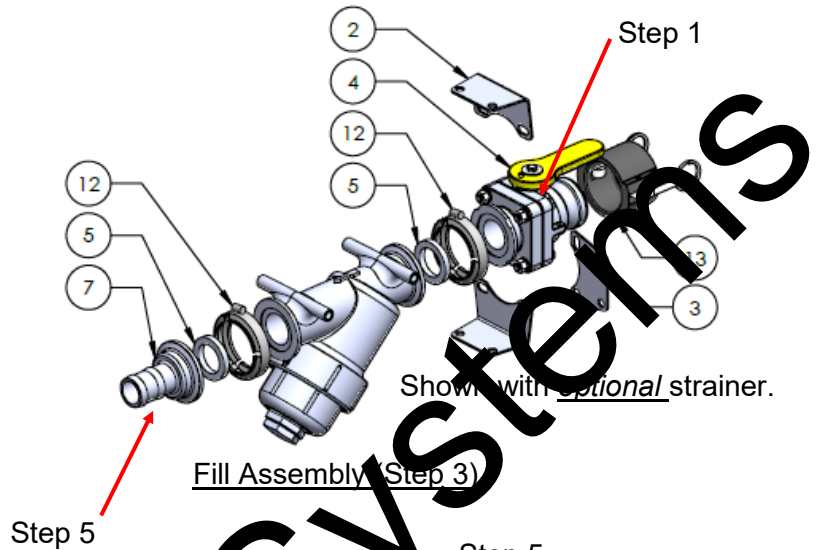
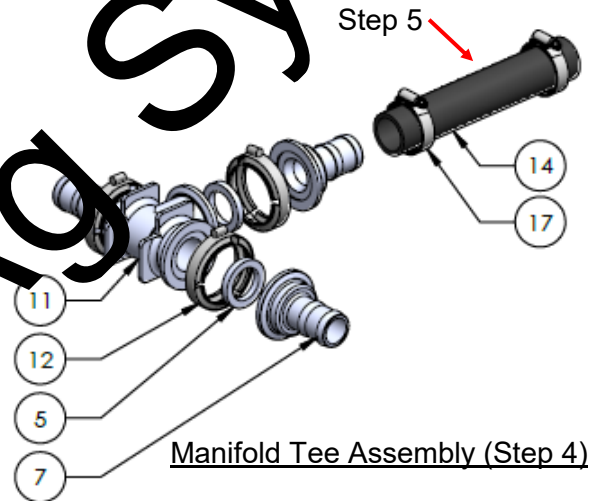


Step by Step Instructions

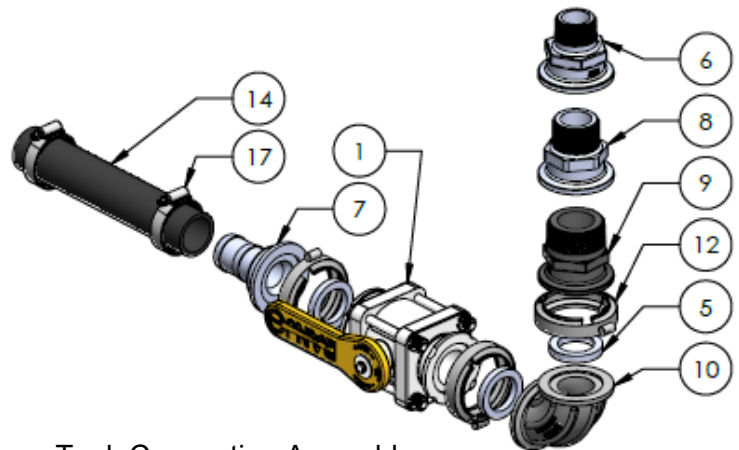
1. Remove nuts on Poly Valve (Item 4) as required to fasten mounting brackets (Item 2 or Item 3) to valve and replace nuts, tighten. *(Often, only one bracket is used to mount the fill valve. Straight and 90° bracket are shown to illustrate both options.)*
2. Using hardware kits (Items 15, 16 and 18) fasten poly valve mounting brackets to implement.
3. Continue to assemble fill kit assembly as shown.



4. Assemble 2" Manifold Tee assembly as shown.
5. Route 1-1/2" hose from fill assembly hose barb (Item 7) to Manifold Tee hose barb (Item 7) and tighten with hose clamps (Item 17).



6. Thread 2", 1-1/2" or 1-1/4" Manifold x MPT fitting into tank opening.
7. Assemble tank valve manifold fittings as shown.
8. Route 1-1/2" hose from manifold tee assembly hose barb (Item 7) to tank opening hose barb (Item 7) and tighten using two hose clamps (Item 17).



Tank Connection Assembly