



# 396-2883Y1

## Fill & Discharge Kits for JD 1775 Installation Instructions

**Kit Number: 520-00-101700**

**Kit Description:** Fill & Discharge Kit

JD 450/600 Factory Tank, 2" Fill Hose, 1-1/2" Discharge (PR17/PR30)

**Kit Number: 520-00-101705**

**Kit Description:** Fill & Discharge Kit

JD 450/600 Factory Tank, 2" Fill Hose, 2" Discharge (PR40, D250, PR80)

**Kit Number: 520-00-101720**

**Kit Description:** Fill & Discharge Kit

SurePoint Hitch Tank, 2" Fill Hose, 1-1/2" Discharge (PR17/PR30)

**Kit Number: 520-00-101725**

**Kit Description:** Fill & Discharge Kit

SurePoint Hitch Tank, 2" Fill Hose, 2" Discharge (PR40, D250, PR80)

**Kit Number: 520-00-101707**

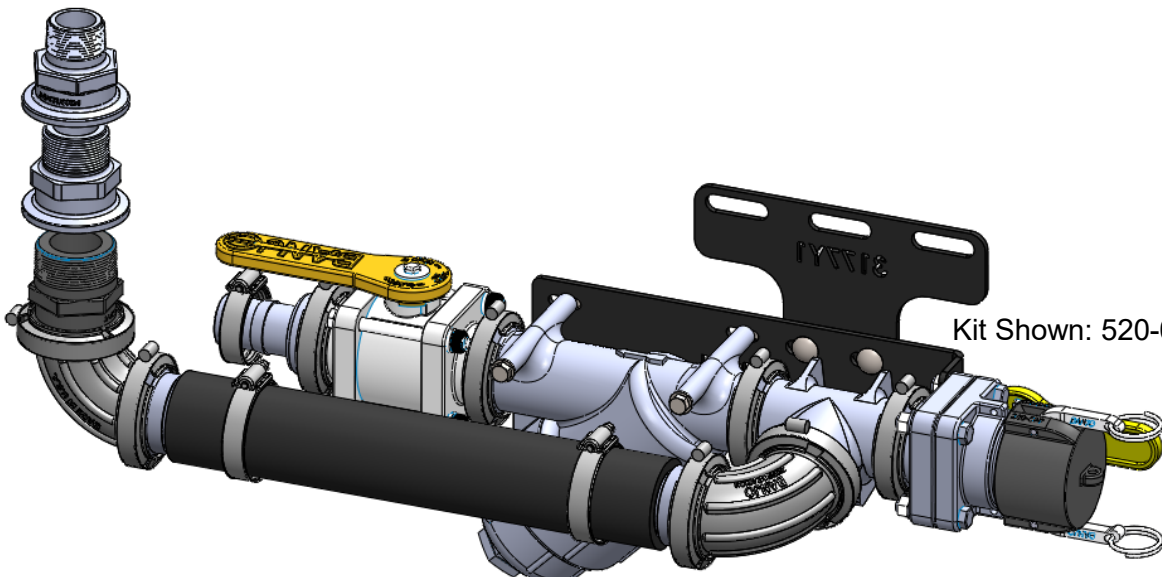
**Kit Description:** Fill & Discharge Kit

JD 450/600 Factory Tank, 2" Fill Hose, 3/4" Discharge (Front or Rear Mounted Tower)

**Kit Number: 520-00-101727**

**Kit Description:** Fill & Discharge Kit

SurePoint Hitch Tank, 2" Fill Hose, 3/4" Discharge (Front or Rear Mounted Tower)



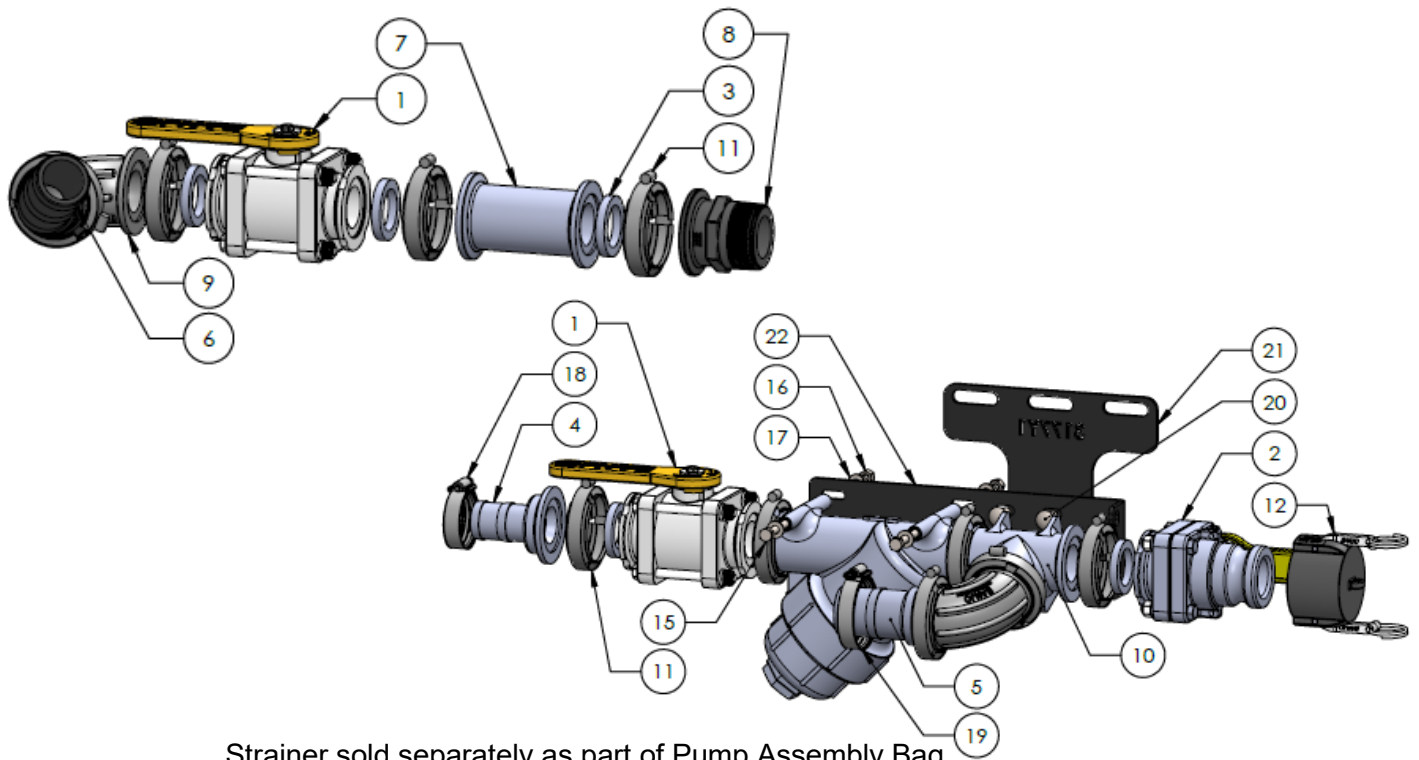
Strainer sold separately as part of Pump Assembly Bag



# Parts List and Exploded View

## 520-00-101700 / 101705

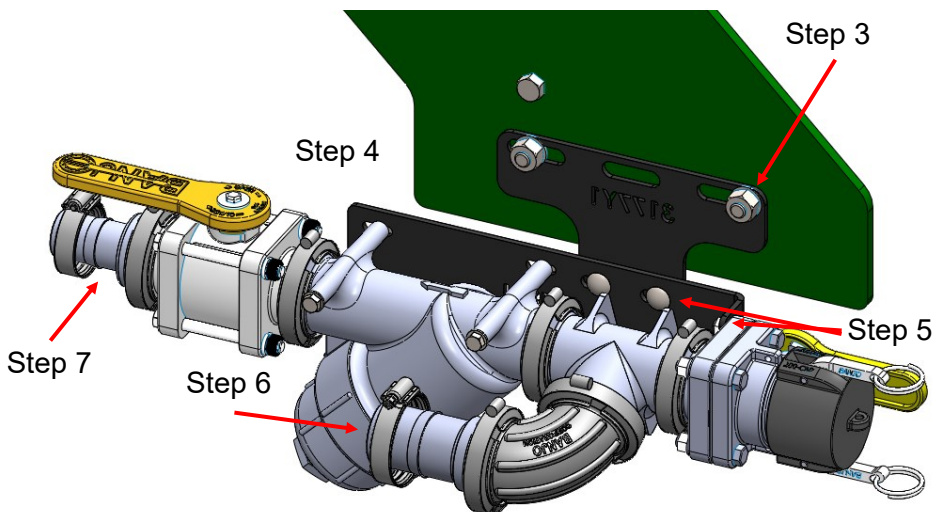
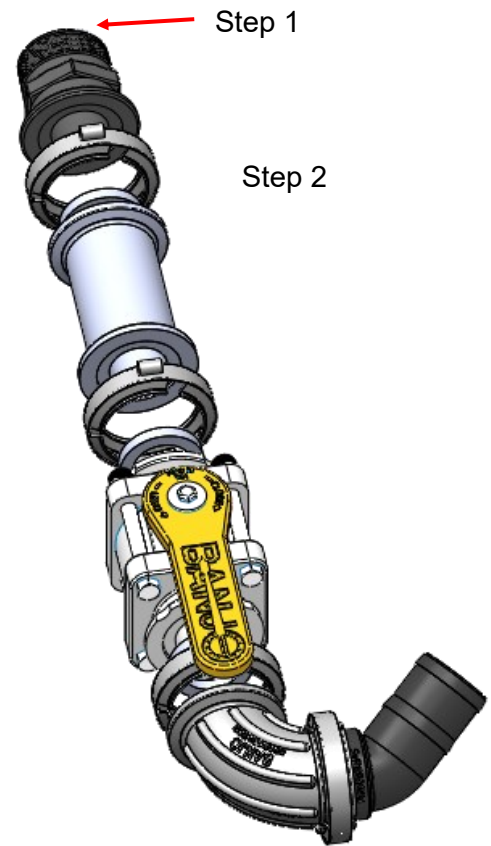
ITEM NO.	PART NUMBER	DESCRIPTION	101700	101705
1	521-08-101720A	Fill & Discharge Assembly Bag Only - 2" Fittings	1	1
	102-200MVCF	2" Manifold Standard Port Poly Valve	2	2
	102-200VSFCF	200 Series Manifold x 2" Male Quick Coupler Standard Port Poly Valve	1	1
	105-150G	1-1/2" EPDM Gasket	10	10
	105-200BRB	2" Manifold x 2" HB	1	3
	105-200BRB45	2" Manifold x 2" HB - 45 Degree	1	1
	105-200MPT	2" Manifold x 2" MPT	1	1
	105-200SWP90	2" Manifold Sweep - 90 Degree	2	2
	105-200TEE	2" Flanged Tee Fitting	1	1
	105-FC200	2" Manifold Clamp	10	10
	106-200CAP	2" Cap	1	1
	300-050508-5	5/16" x 5-1/2" Hex Head Bolt	2	2
	321-05	5/16" Nylock Nut	2	2
	330-05	5/16" Flat Washer	4	4
	350-PS288	Pressure Seal HD Clamp, Size 288 - 2.125"-2.625"	2	4
	384-1080	Hardware Kit - Qty 4 of 3/8" Carriage Bolts and 3/8" Flange Nuts	1	1
	400-3177Y1	JD 1770 Fill Kit Strainer Mounting Bracket	1	1
	400-5918Y1	JD 1775 Long Strainer Mounting Bracket	1	1
2	105-200150BRB	2" Manifold x 1-1/2" HB	2	X
3	105-200CPG	2" Manifold Coupling	1	1
4	280-150-ENF	1-1/2" Enforcer Fertilizer Solution Hose	15'	X
5	280-200-ENF	2" Enforcer Fertilizer Solution Hose	20'	30'
6	350-PS238	Pressure Seal HS Clamp, Size 238 - 1.625"-2.125"	2	X



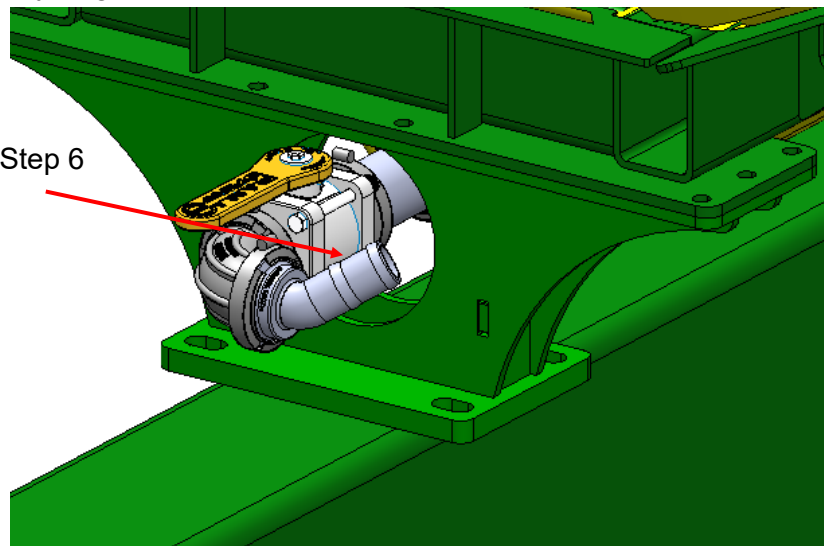


# Step by Step Instructions

1. Thread 2" MPT into tank opening.
2. Using manifold clamps and gaskets, assemble fittings as shown.
3. Mount 3177Y1 under the rear stair, using existing hardware
4. Using manifold clamps and gaskets, assemble fittings as shown below.
5. Removed bolts on fill valve and mount to 5918Y1. Mount assembly to 3177Y1 using the provided 3/8" hardware kit.
6. Route 2" hose from tank to the fill assembly hose barb. Secure using hose clamps.
7. Route 1-1/2" hose from fill assembly to pump inlet. Secure using hose clamps.



Strainer sold separately as part of Pump Assembly Bag

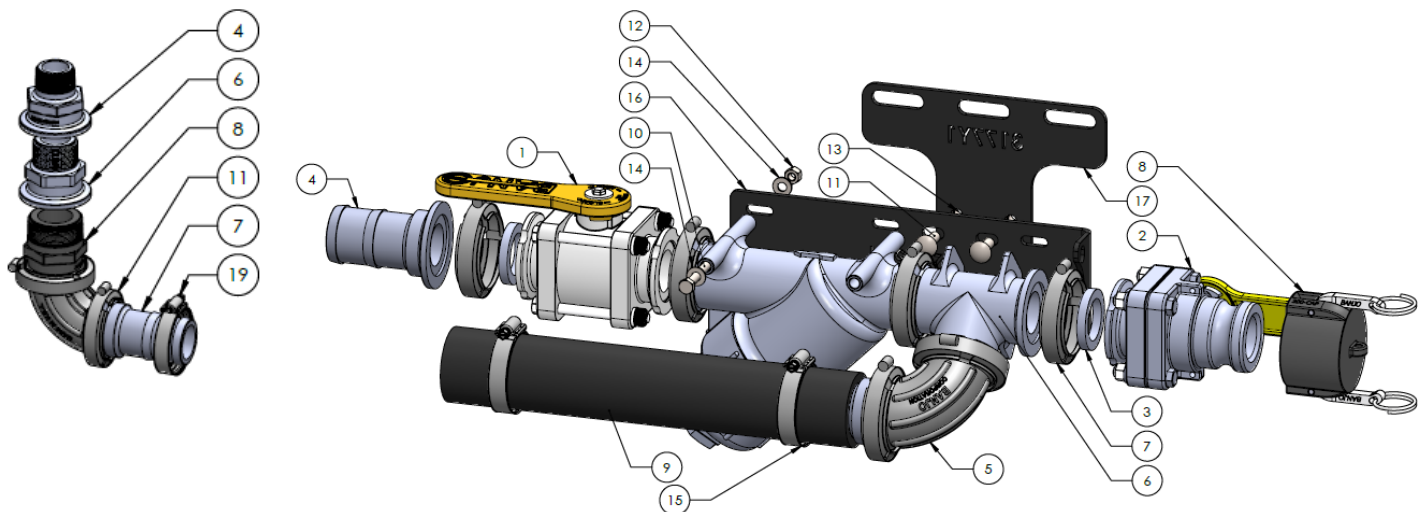




# Parts List and Exploded View

## 520-00-101720 / 101725

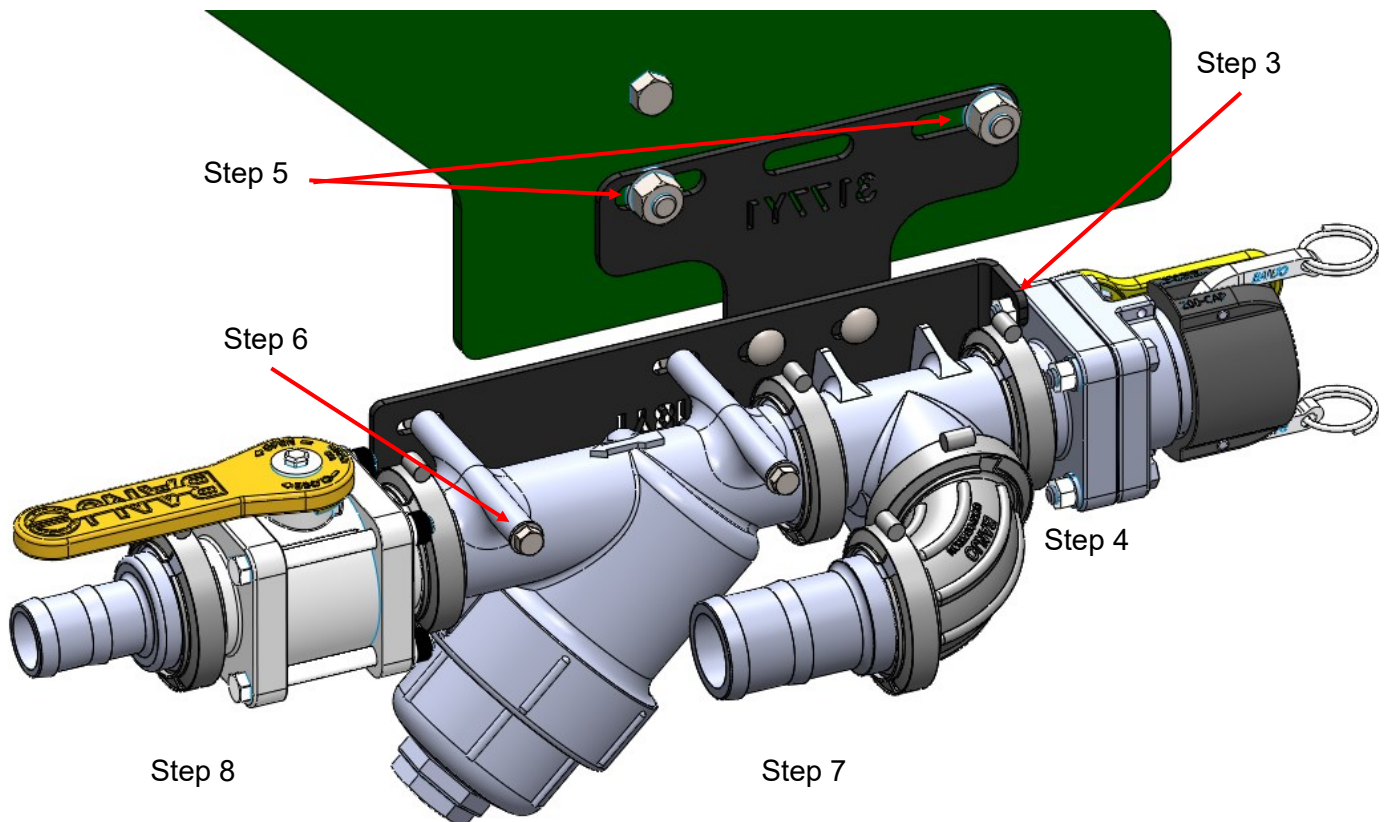
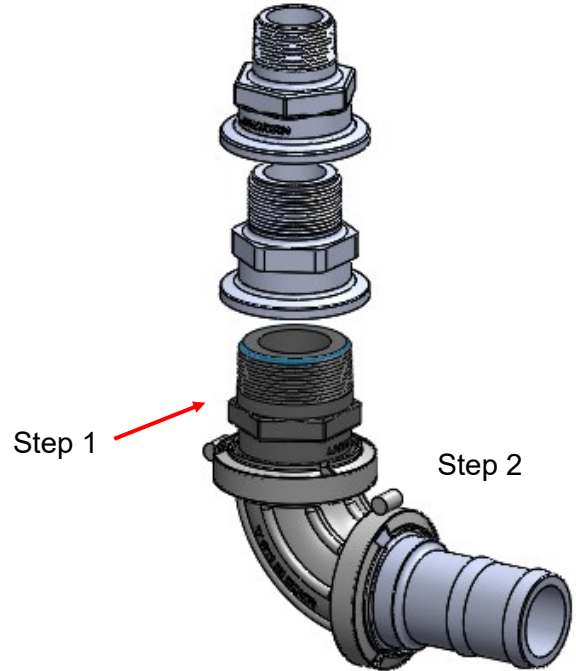
ITEM NO.	PART NUMBER	DESCRIPTION	101720	101725
1	521-08-101720A	Fill & Discharge Assembly Bag Only - 2" Fittings	1	1
	102-200MVCF	2" Manifold Ball Valve	1	1
	102-200VSFCF	200 Series Manifold x 2" Male Quick Coupler Std Port Valve	1	1
	105-150G	1-1/2" EPDM Gasket	8	8
	105-200125MPT	2" Manifold x 1-1/4" MPT	1	1
	105-200150MPT	2" Manifold x 2" MPT	1	1
	105-200BRB	2" Manifold x 2" HB	2	3
	105-200MPT	2" Manifold x 2" MPT	1	1
	105-200SWP90	2" Manifold Sweep - 90 Degree	2	2
	105-200TEE	2" Flanged Tee Fitting	1	1
	105-FC200	2" Manifold Clamp	8	8
	106-200CAP	2" Cap	1	1
	300-050508-5	5/16" x 5-1/2" Hex Head Bolt - G5	2	2
	321-05	5/16" Nylock Nut	2	2
	330-05	5/16" Flat Washer	4	4
	350-PS288	Pressure Seal HD Clamp, Size 288 - 2.125"-2.625" (2" ENF or WBS Hose)	2	4
	384-1080	Hardware Kit - Qty 4 of 3/8" Carriage Bolts and 3/8" Flange Nuts	1	1
	400-3177Y1	JD 1770 Fill Kit Strainer Mounting Bracket	1	1
	400-5918Y1	JD 1775 Long Strainer Mounting Bracket	1	1
2	105-200150BRB	2" Manifold x 1-1/2" HB	2	X
3	280-150-ENF	1-1/2" Enforcer Fertilizer Solution Hose	15'	X
4	280-200-ENF	2" Enforcer Fertilizer Solution Hose	20'	30'
5	350-PS238	Pressure Seal HD Clamp, Size 238 - 1.625"-2.125" (1-1/4" - 1-1/2" ENF, WBS or AG200 Hose)	2	X



Strainer sold separately as part of Pump Assembly Bag

# Step by Step Instructions

1. Thread in MPT fitting into bottom of tank.
2. Using manifold clamps and gaskets, assemble fittings as shown.
3. Remove nuts on Poly Valve as required to fasten mounting brackets to valve. Re-install nuts and wrench tighten.
4. Pre-assemble kit components as shown.
5. Remove existing bolts that fasten the lower step of the rear platform steps and mount bracket and plumbing assembly. Re-install bolts and wrench tighten.
6. Use 5/16" hardware to secure strainer to bracket.
7. Run hose from hitch tank to bottom hose barb. Secure hose with provided hose clamps.
8. Route hose from top hose barb to PumpRight inlet. Secure hose with provided hose clamps.



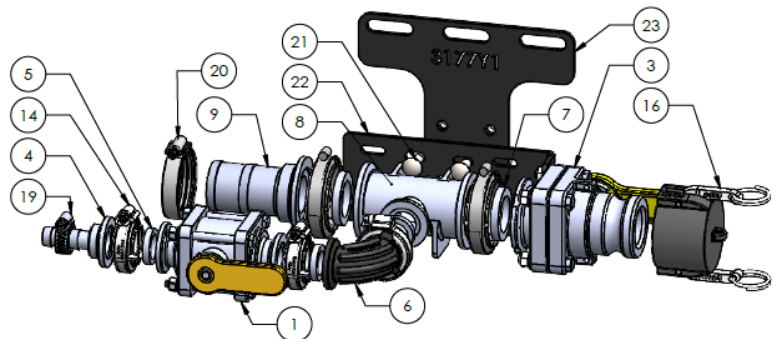
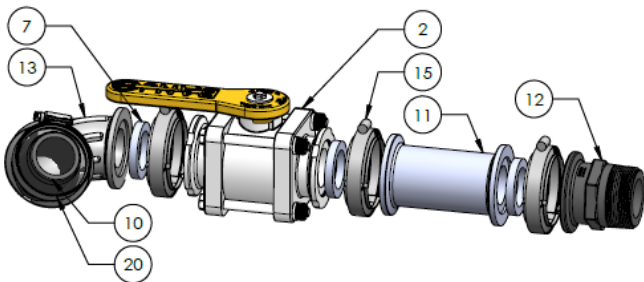
Strainer sold separately as part of Pump Assembly Bag



# Parts List and Exploded View

## 520-00-101707

ITEM NO.	PART NUMBER	DESCRIPTION	QTY.
1	521-08-5955Y1	Fill & Discharge Assembly Bag Only - Tower	1
	102-100MVCF	1" Manifold Ball Valve	1
	102-200VSFCF	200 Series Manifold x 2" Male Quick Coupler Std Port Valve	1
	105-100075BRB	1" Manifold x 3/4" HB	1
	105-100G	1" EPDM Manifold Gasket	3
	105-100SWP90	1" Manifold Sweep - 90 Degree	1
	105-150G	1-1/2" EPDM Gasket	6
	105-200100TEE	2" Std Port x 1" Flanged Tee	1
	105-200BRB	2" Manifold x 2" HB	1
	105-200MPT	2" Manifold x 2" MPT	1
	105-200SWP90	2" Manifold Sweep - 90 Degree	1
	105-FC100	1" Manifold Clamp	3
	105-FC200	2" Manifold Clamp	6
	106-200CAP	2" Cap	1
	300-080108-5	1/2" x 1-1/2" Hex Head Bolt - G5	2
	323-08	1/2" Flange Nut	2
	330-08	1/2" Flat Washer	2
	350-1208	SS Hose Clamp - Size 12 - 1-1/4" Diameter	2
	350-PS288	Pressure Seal HD Clamp, Size 288 - 2.125"-2.625" (2" ENF or WBS Hose)	2
	384-1080	Hardware Kit - Qty 4 of 3/8" Carriage Bolts and 3/8" Flange Nuts	1
	400-2605Y1	Universal Fill Kit Strainer / Valve Mount Bracket	1
	400-3177Y1	JD 1770 Fill Kit Strainer Mounting Bracket	1
	400-3187Y1	JD Rear Hitch Fill Kit Bracket (1770, DB, w/ or w/o CCS)	1
2	105-200BRB45	2" Manifold x 2" HB - 45 Degree	1
3	105-200CPG	2" Manifold Coupling	1
4	102-200MVCF	2" Manifold Ball Valve	1
5	280-075-AG200	3/4" AG200 Bulk	15'
6	280-200-ENF	2" Enforcer Fertilizer Solution Hose	20'

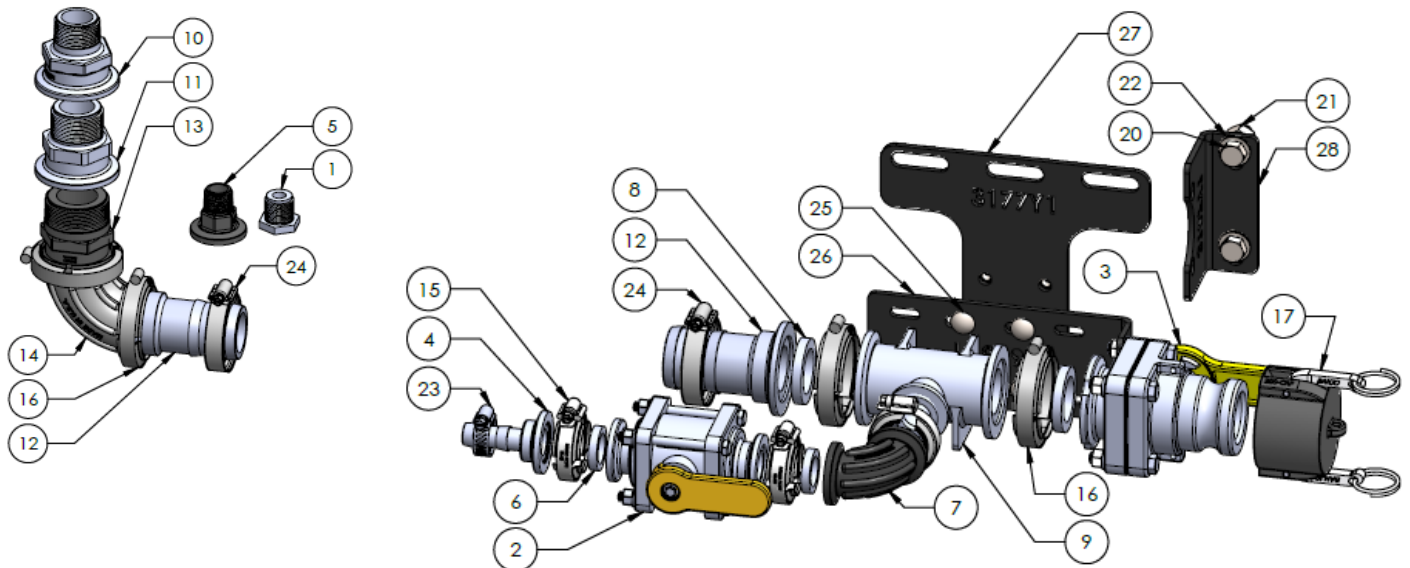




# Parts List and Exploded View

## 520-00-101727

ITEM NO.	PART NUMBER	DESCRIPTION	QTY.
1	521-08-5955Y1	Fill & Discharge Assembly Bag Only - Tower	1
	100-075PLUG	3/4" Pipe Plug	1
	102-100MVCF	1" Manifold Ball Valve	1
	102-200VSFCF	200 Series Manifold x 2" Male Quick Coupler Std Port Valve	1
	105-100075BRB	1" Manifold x 3/4" HB	1
	105-100075MPT	1" Flange x 3/4" MPT	1
	105-100G	1" EPDM Manifold Gasket	3
	105-100SWP90	1" Manifold Sweep - 90 Degree	1
	105-150G	1-1/2" EPDM Gasket	4
	105-200100TEE	2" Std Port x 1" Flanged Tee	1
	105-200125MPT	2" Manifold x 1-1/4" MPT	1
	105-200150MPT	2" Manifold x 2" MPT	1
	105-200BRB	2" Manifold x 2" HB	2
	105-200MPT	2" Manifold x 2" MPT	1
	105-200SWP90	2" Manifold Sweep - 90 Degree	1
	105-FC100	1" Manifold Clamp	3
	105-FC200	2" Manifold Clamp	4
	106-200CAP	2" Cap	1
	300-080108-5	1/2" x 1-1/2" Hex Head Bolt - G5	2
	323-08	1/2" Flange Nut	2
	330-08	1/2" Flat Washer	2
	350-1208	SS Hose Clamp - Size 12 - 1-1/4" Diameter	2
	350-PS288	Pressure Seal HD Clamp, Size 288 - 2.125"-2.625" (2" ENF or WBS Hose)	2
	384-1080	Hardware Kit - Qty 4 of 3/8" Carriage Bolts and 3/8" Flange Nuts	1
	400-2605Y1	Universal Fill Kit Strainer / Valve Mount Bracket	1
	400-3177Y1	JD 1770 Fill Kit Strainer Mounting Bracket	1
	400-3187Y1	JD Rear Hitch Fill Kit Bracket (1770, DB, w/ or w/o CCS)	1
2	280-075-AG200	3/4" AG200 Bulk	15'
3	280-200-ENF	2" Enforcer Fertilizer Solution Hose	20'



# Step by Step Instructions

## 520-00-101707 / 520-00-101727

1. Thread in MPT fitting into bottom of tank. *Plug second tank bung if needed.*
2. Using manifold clamps and gaskets, assemble fittings as shown.
3. Remove nuts on Poly Valve as required to fasten either mounting bracket to valve. Re-install nuts and wrench tighten.
4. Pre-assemble kit components as shown.
5. Remove existing bolts that fasten the lower step of the rear platform steps and mount bracket and plumbing assembly. Re-install bolts and wrench tighten.
6. Run hose from hitch tank to 2" fill hose barb. Secure hose with provided hose clamps.
7. Route hose from 3/4" barb to Tower inlet. Secure hose with provided hose clamps.

