



396-2883Y1

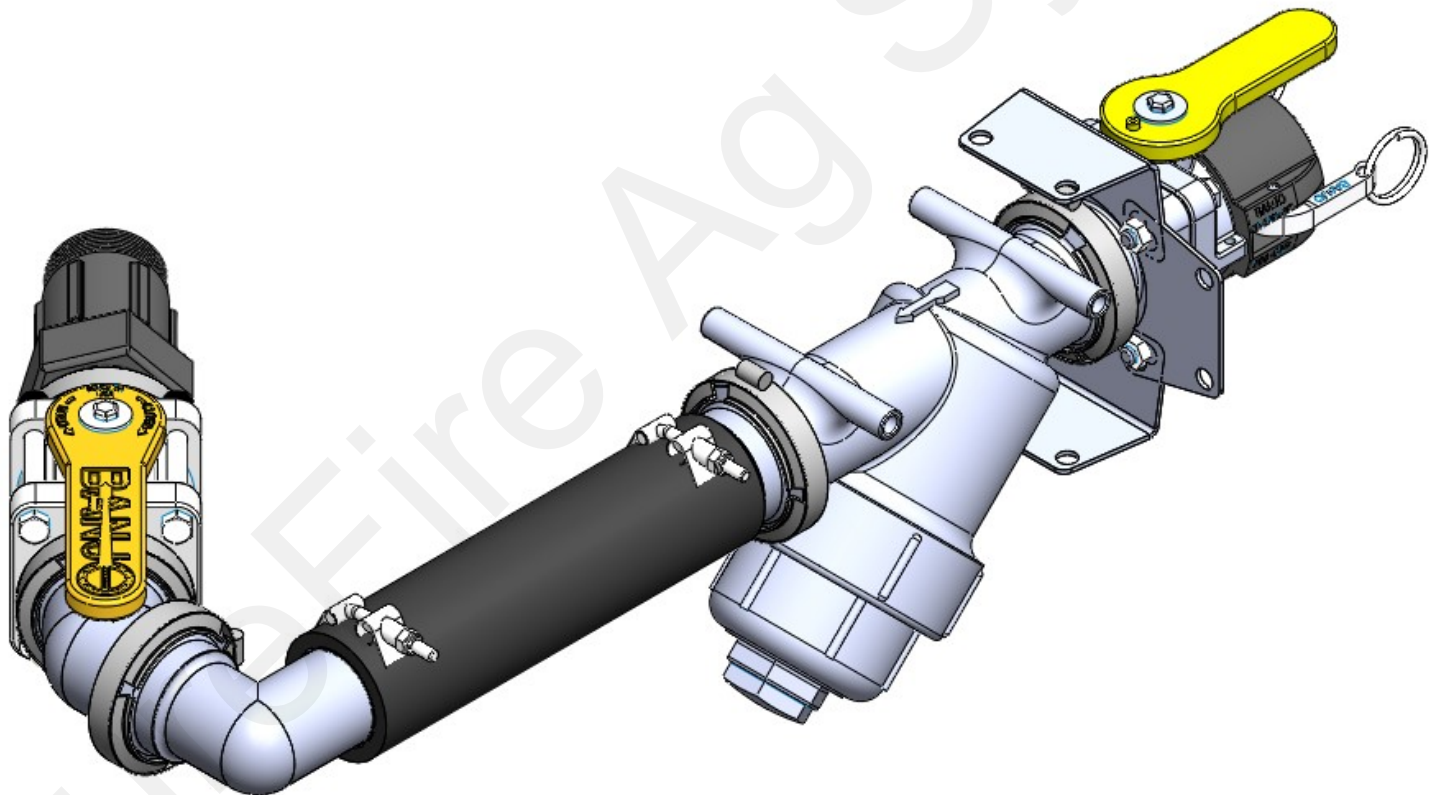
Plumbing Fill Kit

Installation Instructions

Kit Number: 520-00-101700

Kit Description:

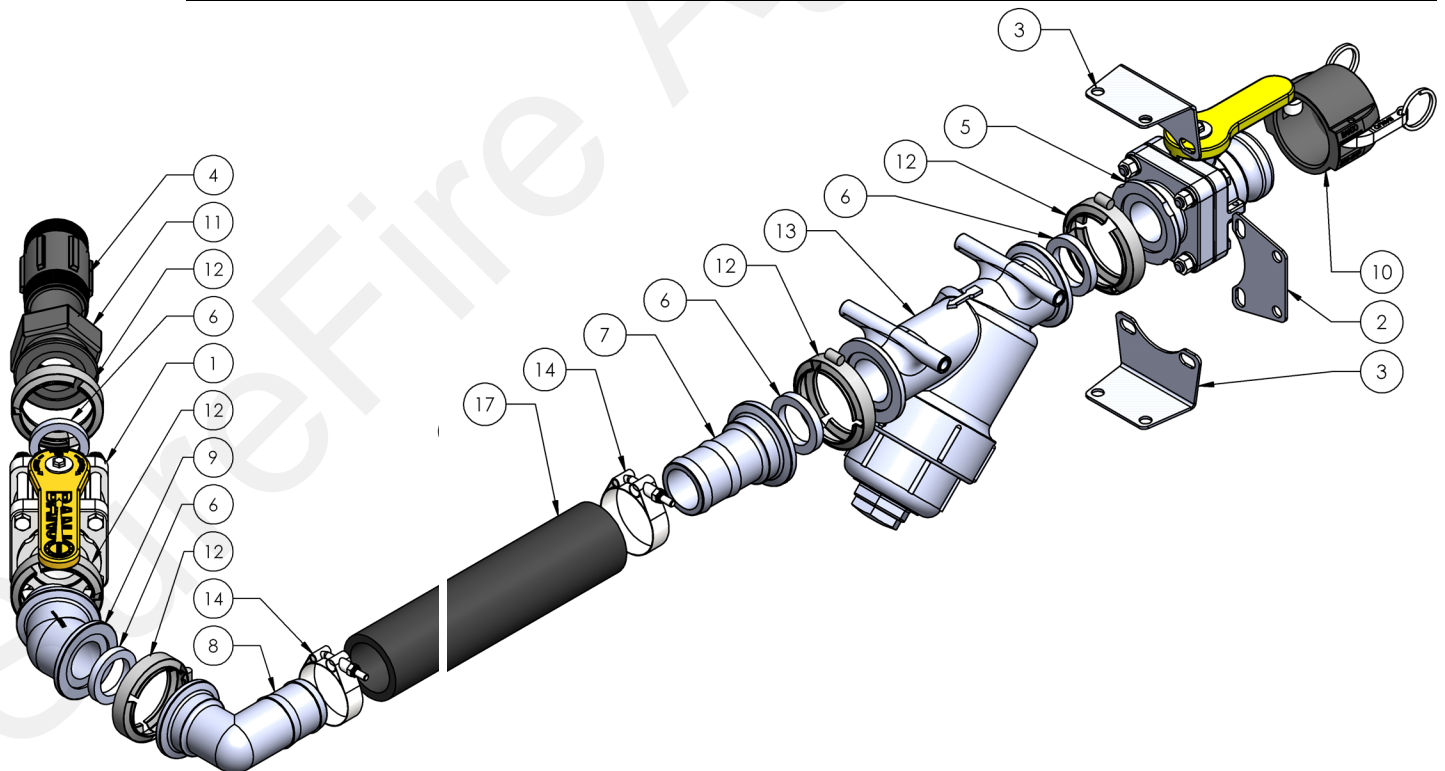
2" Flange Fill Kit to 2" HB with 2" Hose (For use with front tank bung)





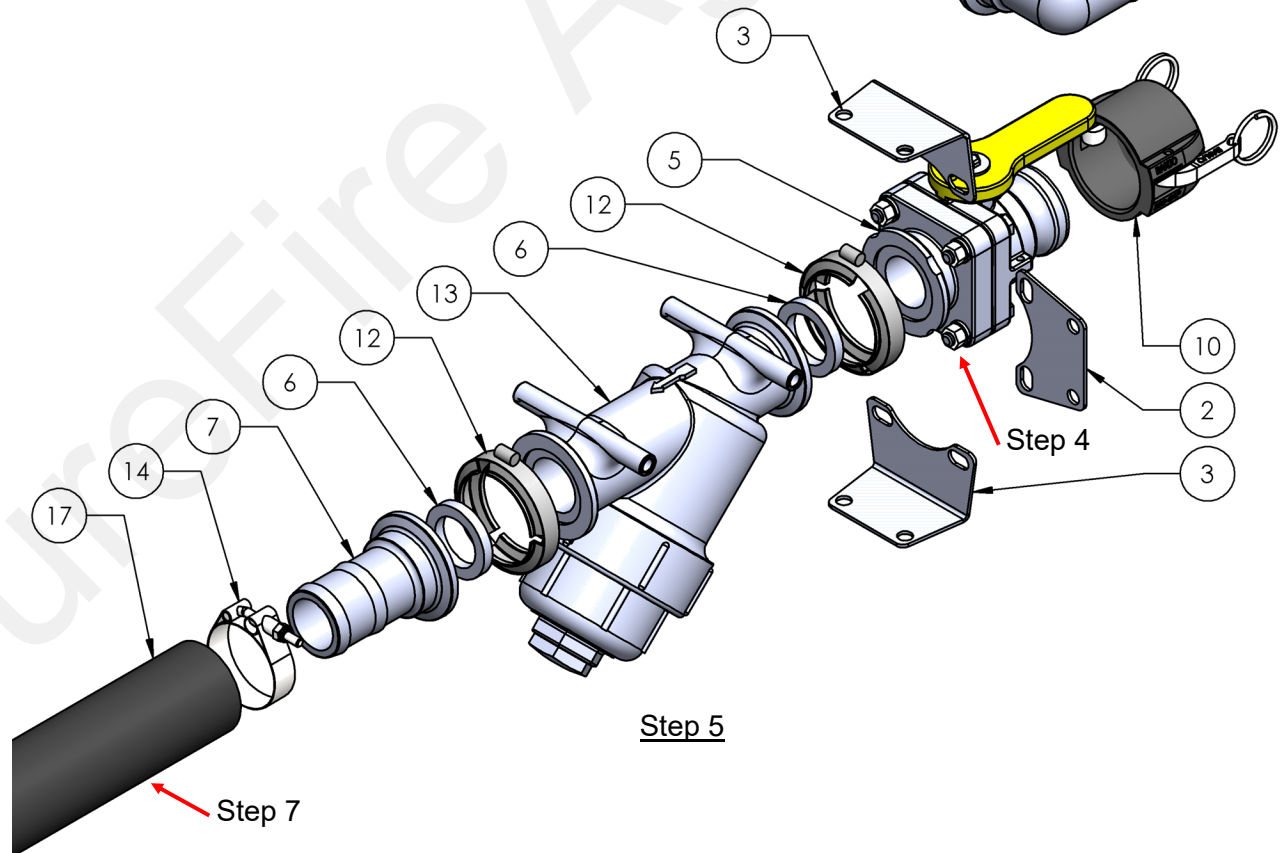
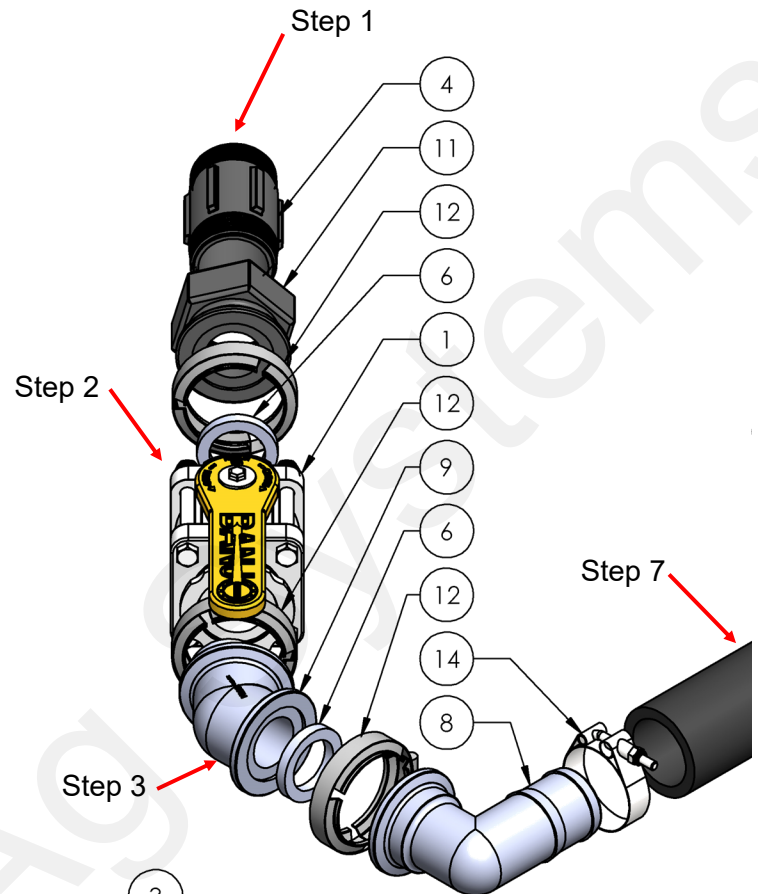
Parts List and Exploded View

ITEM NO.	PART NUMBER	DESCRIPTION	QTY.
1	102-200MVCF	2" Manifold Standard Port Poly Valve	1
2	102-200VBR	2" Mounting Bracket - Straight	1
3	102-200VBR-90	2" Mounting Bracket - 90 Degree	2
4	100-200NIP-4	2" x 4" Nipple	1
5	102-200VSFCF	200 Series Manifold x 2" Male Quick Coupler Standard Port Poly Valve	1
6	105-150G-H	1-1/2" EPDM Manifold Gasket for 200 Series Manifold Fittings	5
7	105-200BRB	2" Manifold x 2" HB	2
8	105-200BRB90	2" Manifold x 2" HB - 90 Degree	1
9	105-200CPG45	2" Manifold Coupling - 45 Degree	1
10	106-200CAP	2" Cap	1
11	105-200FPT	2" Manifold x 2" FPT	1
12	105-FC200	2" Manifold Clamp	5
13	109-200MLS-20M	2" Manifold Y Strainer - 20 Mesh w/ 5/16" bolt holes for mounting	1
14	350-TC231	T-Bolt Hose Clamp - 2.31 - 2.62" Diameter	2
15	384-1095	Hardware Kit - 3/8" Hex Cap Bolts and 3/8" Flange Nuts (Qty: 4)	1
16	384-1004	Hardware Kit - Qty 6 Size 12 x 1-1/4" Self Drilling Screws with Qty 4 5/16" Fender Washers	1
17	280-200-ENF	2" Enforcer Fertilizer Solution Hose	1



Step by Step Instructions

1. Thread 2" x 4" nipple (Item 4) and Item 11 into tank opening.
2. Using manifold gasket (Item 6) and manifold clamp (Item 12), attach ball valve (Item 1) to Item 11.
3. Using manifold gasket (Item 6) and manifold clamp (Item 12), attach 45° coupling (Item 9) and 90° hose barb (Item 8) to ball valve.
4. Remove nuts on Poly Valve (Item 13) as required to fasten mounting brackets (Item 2 or Item 3) to valve and replace nuts, tighten. Use appropriate mounting brackets for installation.
5. Using hardware kits (Item 15, 16) fasten poly valve and mounting brackets to planter/drill.
6. Assemble fill kit strainer assembly as shown.
7. Route 2" hose (Item 17) from strainer assembly hose barb (Item 7) to tank opening hose barb (Item 8) and tighten using two hose clamps (Item 14).





Optional Items that may be suggested for this equipment .

Kit Description: 2" or 1-1/2" Fill Line to 3/4" Tie In Kit for Tower

Kit Number: 520-00-103500

Instruction sheet for this kit: 396-2887Y1

**For situations that utilize both 520-00-101700 fill kit and 520-00-103500 discharge kit, instead of teeing in to the 2" or 1-1/2" fill line as generally recommended, the system may be configured as shown.*

