



# 396-2856Y1

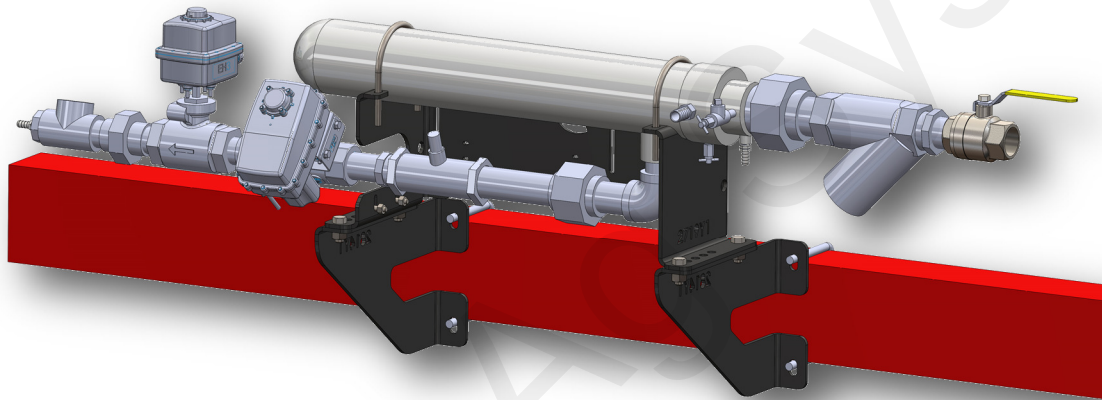
## Bracket Kits for mounting the NH3 Torpedo System

**Air Seeder Manufacturer:**



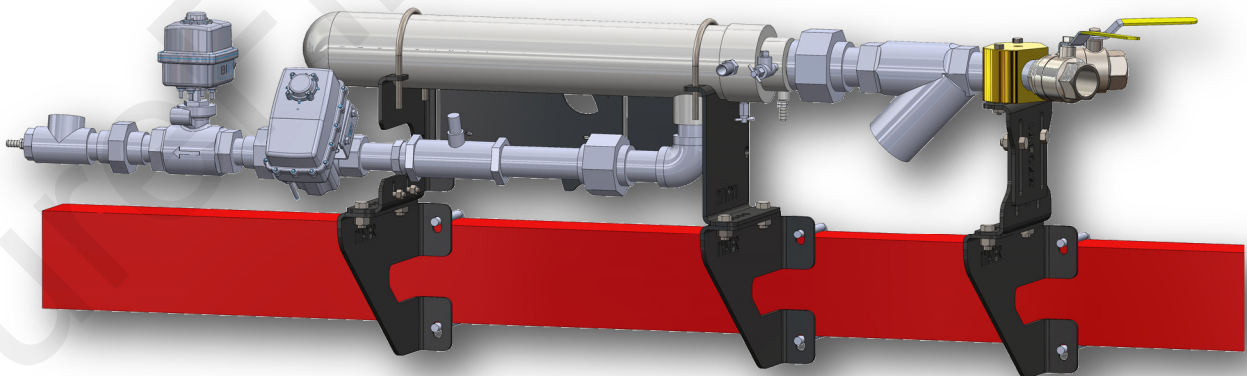
**Kit Number: 516-10-100500**

This Bracket Kit can mount both the *Torpedo 100 & 200*.



**Kit Number: 516-10-100520**

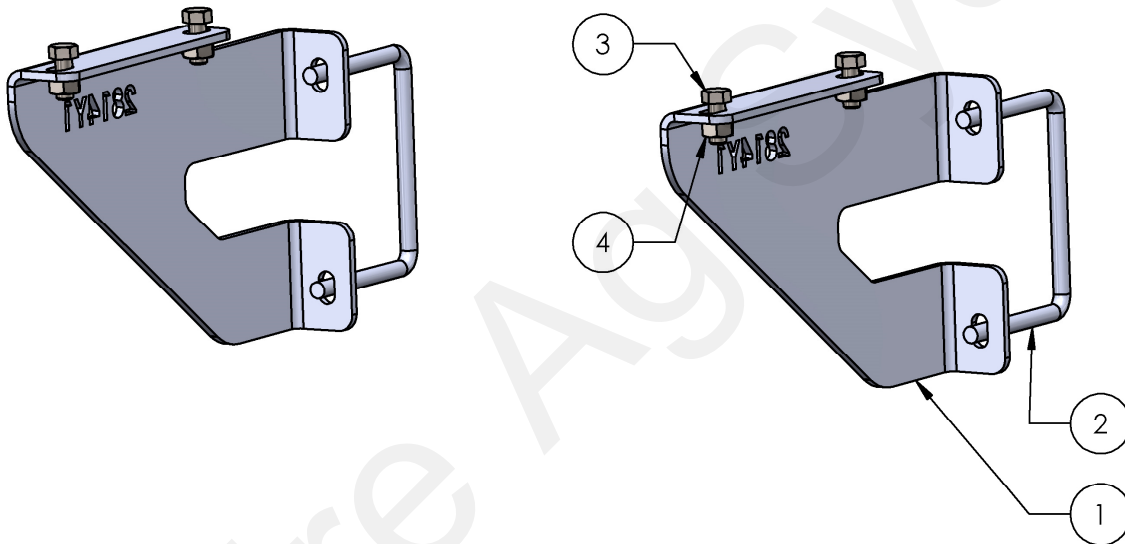
This Bracket Kit can mount the *Torpedo 300*.





# Parts List and Exploded View (516-10-100500)

ITEM NO.	PART NUMBER	DESCRIPTION	QTY.
1	462-2814Y1	Offset Bracket for Torpedo	2
2	380-1017	1/2" x 6" x 5" Square Bend U-Bolt	2
3	300-080104-5	1/2" x 1-1/4" Bolt G5	4
4	323-08	1/2" Flange Nut	4



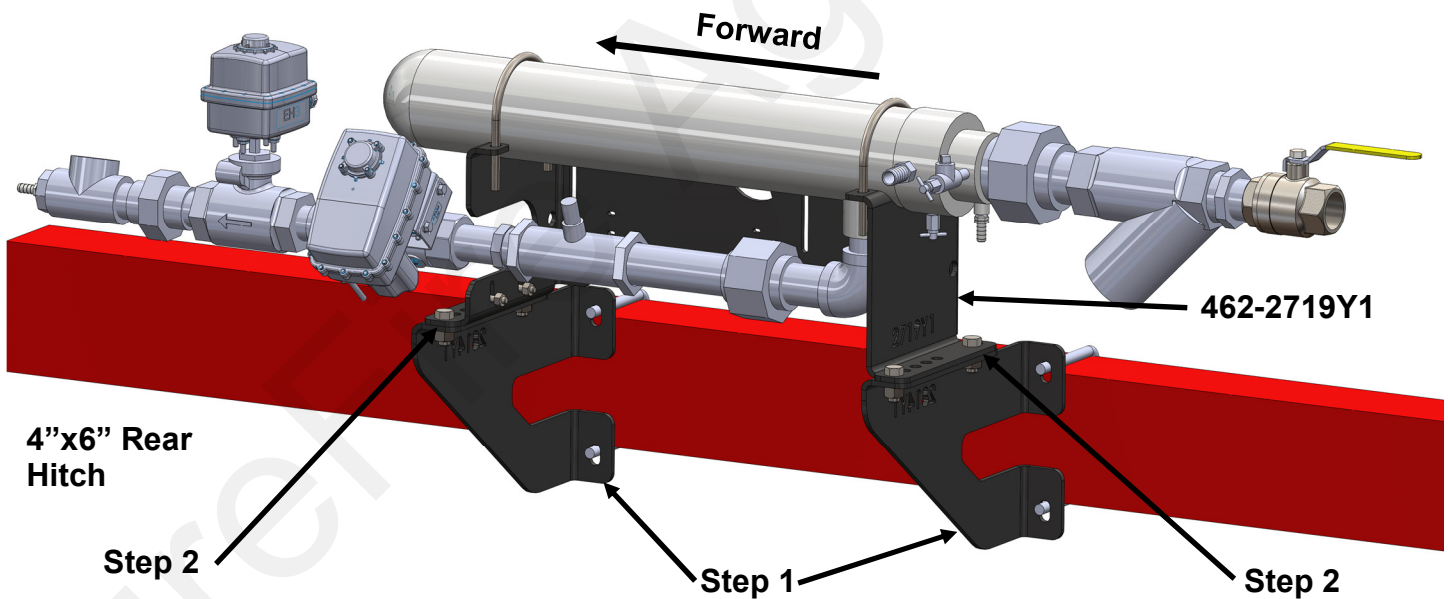


# Step by Step Instructions (516-10-100500)

The *Torpedo 100,200 & 300* can be mounted to the 4"x6" Rear Hitch of the Amity Air Seeder on either side.

The preferred side of the hitch to mount the Torpedo would be the left. This would make the Torpedo Components more accessible and easier to maintain after installation.

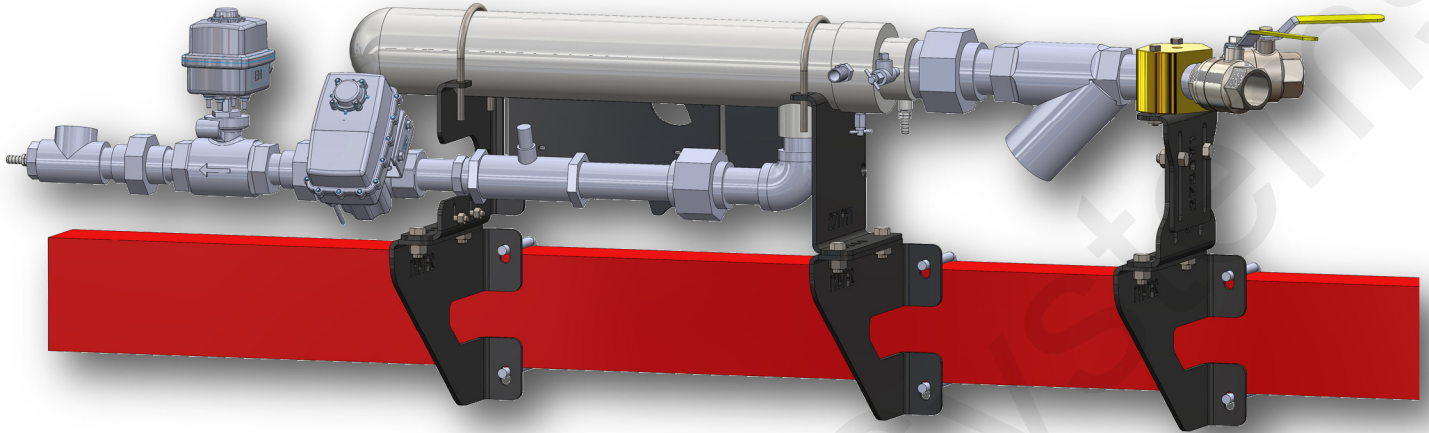
**4"x6" Rear Hitch  
(Mount brackets on  
the Left side  
preferably)**



1. Mount both Offset Brackets to the 4"x6" Rear Hitch Bar using the provided 1/2"x6"x5" Square Bent U-bolts (380-1017). The Brackets should be approximately 23 inches apart. Do not fully tighten to allow for adjustment in Step 2.
2. Mount the Torpedo Bracket (462-2719Y1) to the two Offset Brackets using the provided 1/2"x1-1/4" Bolts (300-080104-5). After the Torpedo Bracket is mated with the two Offset Brackets and the whole assembly is in its desired location on the 4"x6" Bar, tighten all nuts.

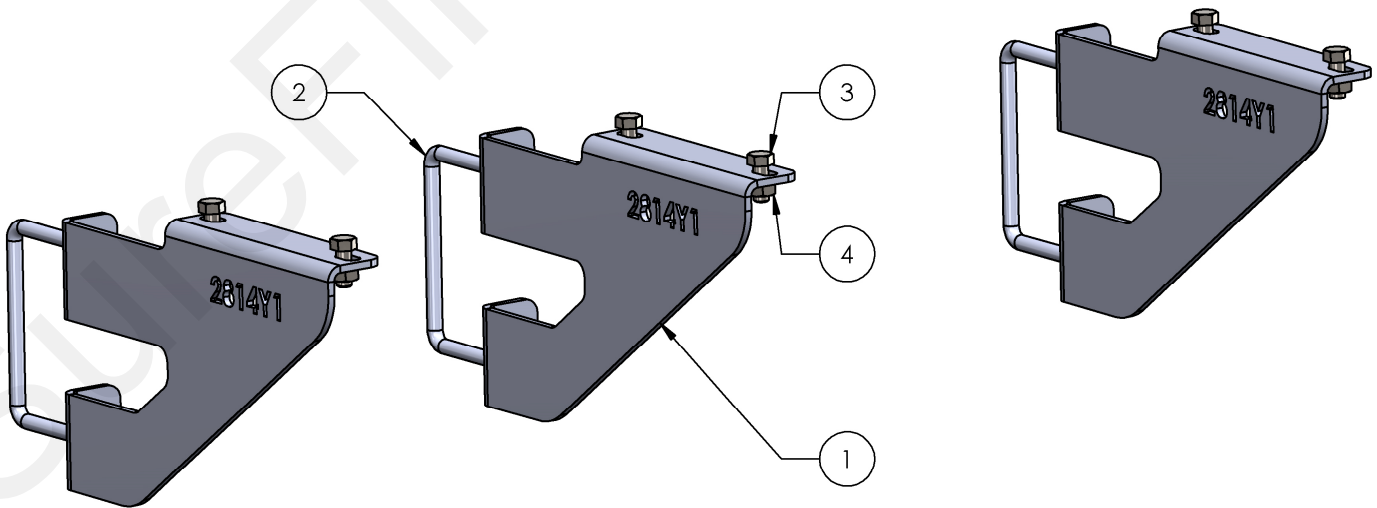


**Kit Number: 516-10-100520**  
 This Bracket Kit can mount the *Torpedo 300*.



## ***Parts List and Exploded View (516-10-100520)***

ITEM NO.	PART NUMBER	DESCRIPTION	QTY.
1	462-2814Y1	Offset Bracket for Torpedo	3
2	380-1017	1/2" x 6" x 5" Square Bend U-Bolt	3
3	300-080104-5	1/2" x 1-1/4" Bolt G5	6
4	323-08	1/2" Flange Nut	6



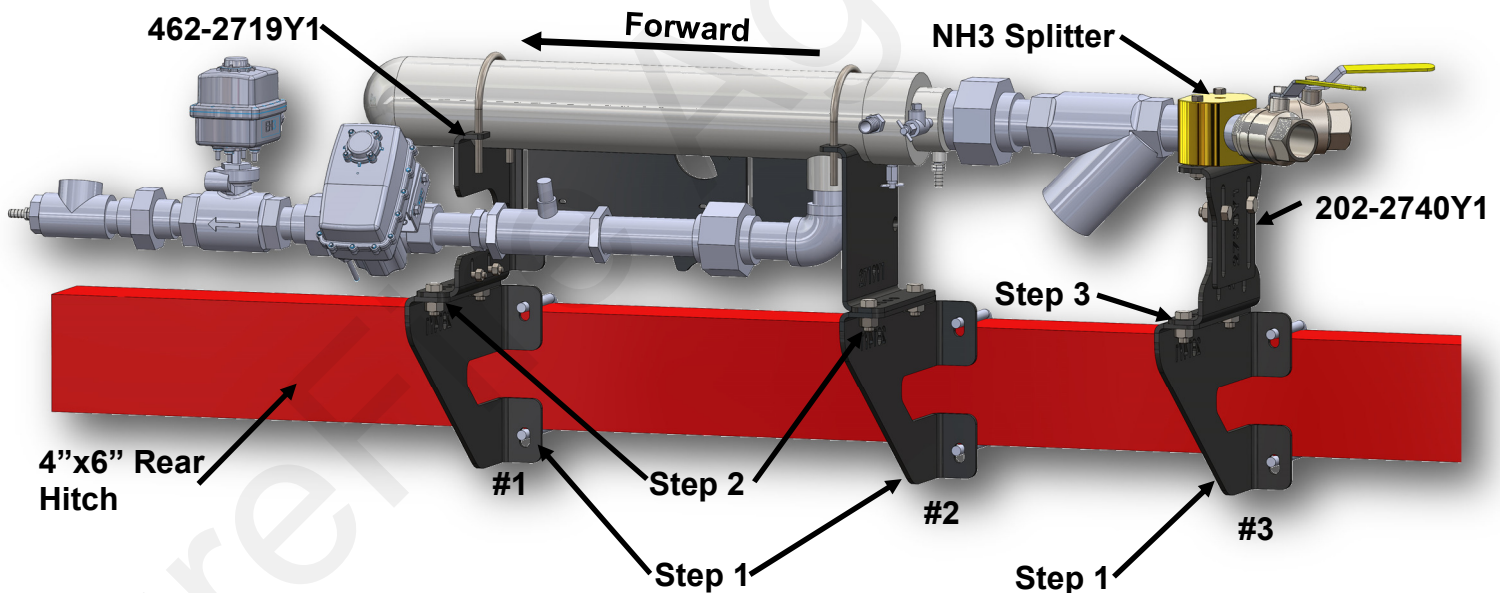
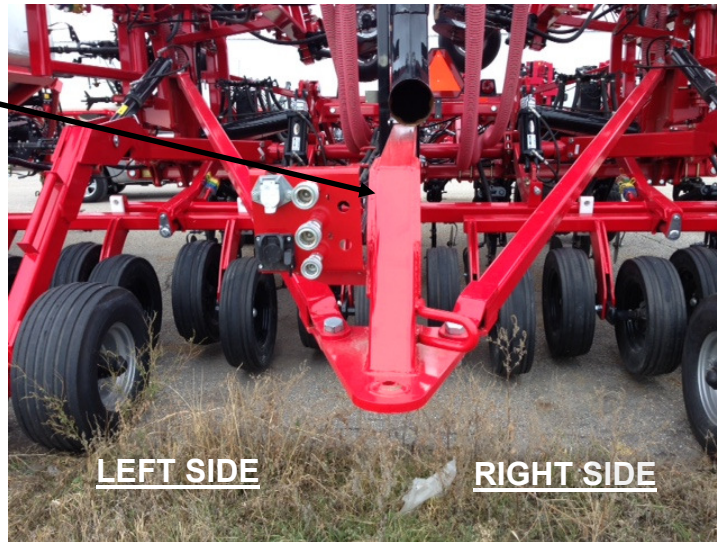


# Step by Step Instructions (516-10-100520)

The *Torpedo 300* can be mounted to the 4"x6" Rear Hitch of the Amity Air Seeder on either side.

The preferred side of the hitch to mount the Torpedo to would be the left. This would make the Torpedo Components more accessible and easier to maintain after installation.

4"x6" Rear Hitch  
(Mount brackets on  
the Left side  
preferably)



1. Mount all three Offset Brackets to the 4"x6" Rear Hitch Bar using the provided 1/2"x6"x5" Square Bent U-bolts (380-1017). Brackets #1 and #2 should be approximately 23 inches apart. Bracket #3 should be approximately 16-1/2" from Bracket #2. Do not fully tighten to allow for adjustment in Steps 2 & 3 .
2. Mount the Torpedo Bracket (462-2719Y1) to Offset Brackets #1 & #2 using the provided 1/2"x1-1/4" Bolts (300-080104-5). Do not fully tighten to allow for adjustment in Step 3.
3. Mount the NH3 Splitter Support Kit (202-2740Y1) to Offset Bracket #3 with the provided 1/2"x1-1/4" Bolts (300-080104-5) and attach to underside of splitter as shown. The Splitter Support Kit has slotted holes for height adjustment. After the Torpedo Bracket and Splitter Support are mated with the three Offset Brackets and the whole assembly is in its desired location on the 4"x6" Bar, tighten all nuts.