

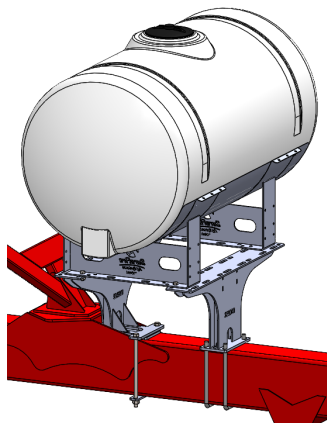


396-2652Y1

Case IH 1250

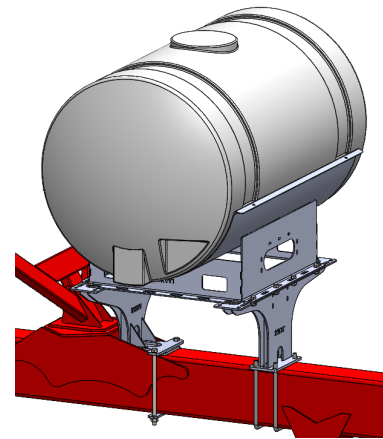
Tank Mounting Instructions

Planter Manufacturer:



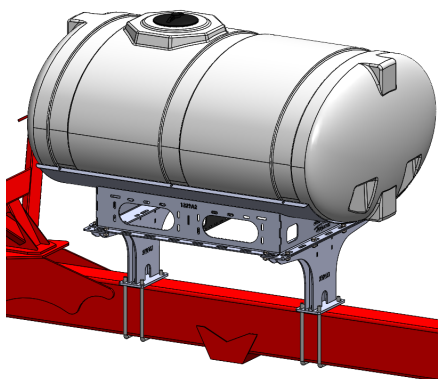
Kit Number: 530-02-250500

**Description: Case IH 1250/1255 - 300
Gallon Round Hitch Mount Tank Kit
(12R/16R Bulk Fill)**



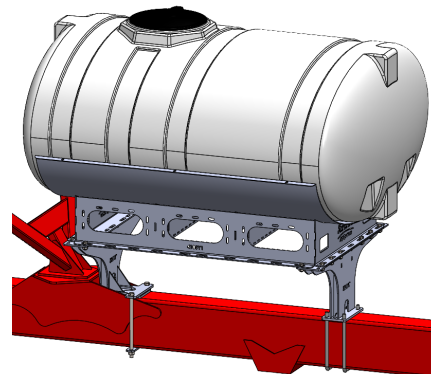
Kit Number: 530-02-250650

**Description: Case IH 1250/1255 - 400
Gallon Round Hitch Mount Tank Kit
(16R30 Bulk Fill)**



Kit Number: 530-02-250600

**Description: Case IH 1250/1255 - 500
Gallon Elliptical Hitch Mount Tank Kit
(12R/16R/24R) *Used with no markers.***



Kit Number: 530-02-250700

**Description: Case IH 1250/1255 - 600
Gallon Elliptical Hitch Mount Tank Kit
(16R/24R) *Used with no markers.***

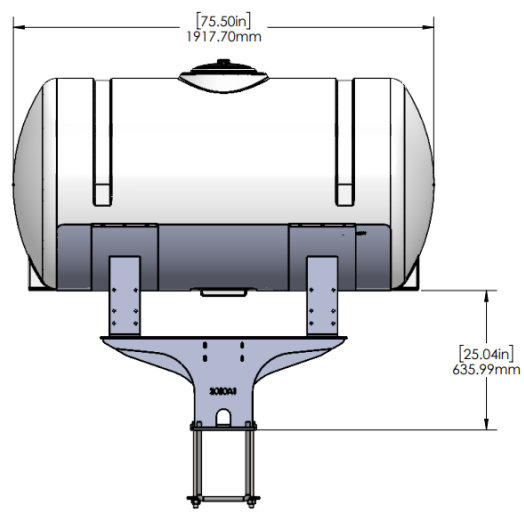
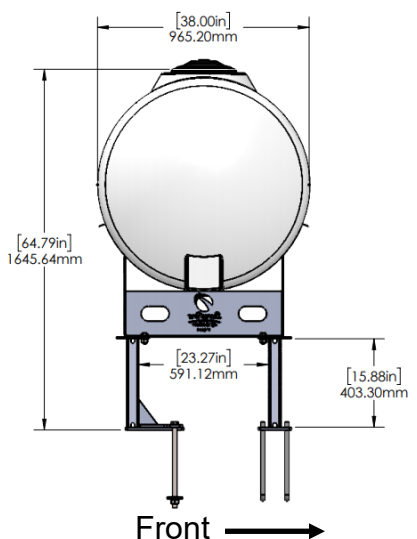
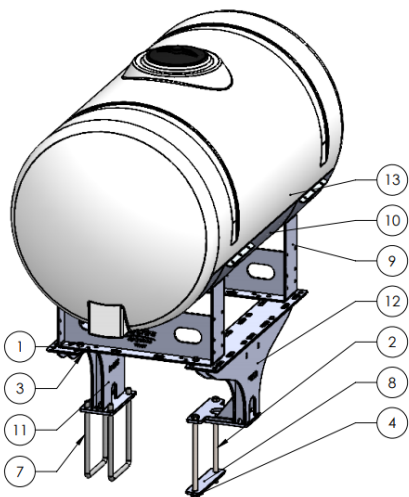


Parts List and Installation Dimensions

530-02-250500

Case IH 1250 Hitch Mount Tank - 300 Gal

ITEM NO.	PART NUMBER	DESCRIPTION	QTY.
1	300-100108-5	5/8" x 1-1/2" HCS G5	4
2	300-121500-5	3/4" x 15" HCS G5	2
3	323-10	5/8" Flange Nut	4
4	323-12	3/4" Flange Nut	2
5	330-10	5/8" Flat Washer	4
6	323-12	3/4" Flat Washer	2
7	380-1066	3/4" U-bolt Kit - fits 8" x 12" tube - (8" opening) - includes flat & lock washers and nuts.	2
8	400-5164Y1	3/8" Backer Plate for Rear Pedestal	1
9	420-1104A1	38" Tank Saddle	2
10	420-1106A1	38" 300 Gallon Full Support Sheet	1
11	421-2020A1	Planter Hitch Mount for Tank Cradle (400 or 500 Gallon)	1
12	421-5159Y1	Rear Planter Hitch Mount for Tank Cradle (400 or 500 Gallon)	1
13	727-02-HZ0300-38-W	Horizontal Tank - 300 Gal - White - 38" x 76"	1



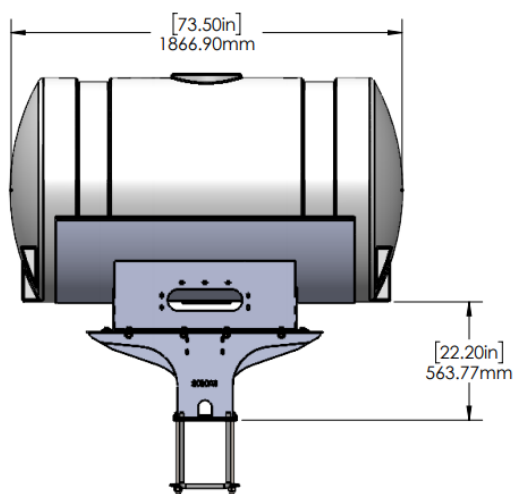
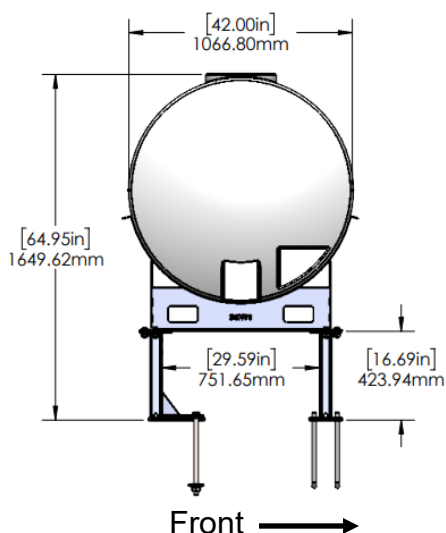
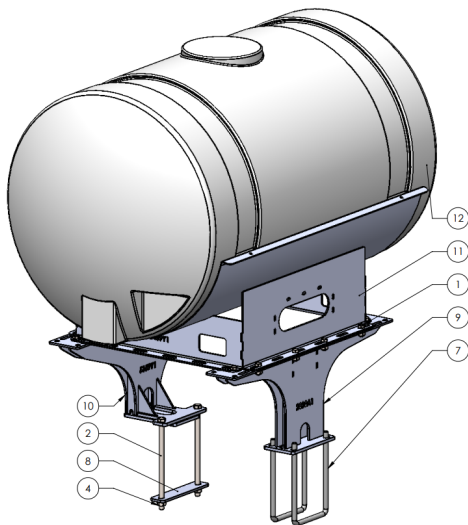


Parts List and Installation Dimensions

530-02-250650

Case IH 1250 Hitch Mount Tank - 400 Gal

ITEM NO.	PART NUMBER	DESCRIPTION	QTY.
1	300-100108-5	5/8" x 1-1/2" HCS	12
2	300-121500-5	3/4" x 15" Hex Head Bolt - G5	2
3	323-10	5/8" Flange Nut	6
4	323-12	3/4" Flange Nut	2
5	330-10	5/8" Flat Washer	12
6	330-12	3/4" Flat Washer	2
7	380-1066	3/4" U-bolt Kit - fits 8" x 12" tube - (8" opening) - includes flat & lock washers and nuts	2
8	400-5164Y1	3/8" Backer Plate for Rear Pedestal	1
9	421-2020A1	Planter Hitch Mount for Tank Cradle (400 or 500 Gallon)	1
10	421-5159Y1	Rear Planter Hitch Mount for Tank Cradle (400 or 500 Gallon)	1
11	451-2409Y1	400 Gallon Horizontal Cradle Weld Assembly	1
12	727-02-400APP	Horizontal Tank - 400 Gallon	1



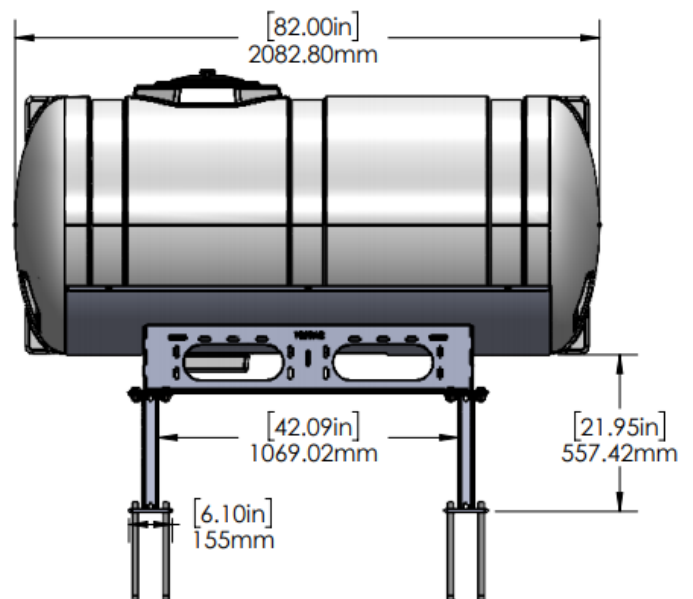
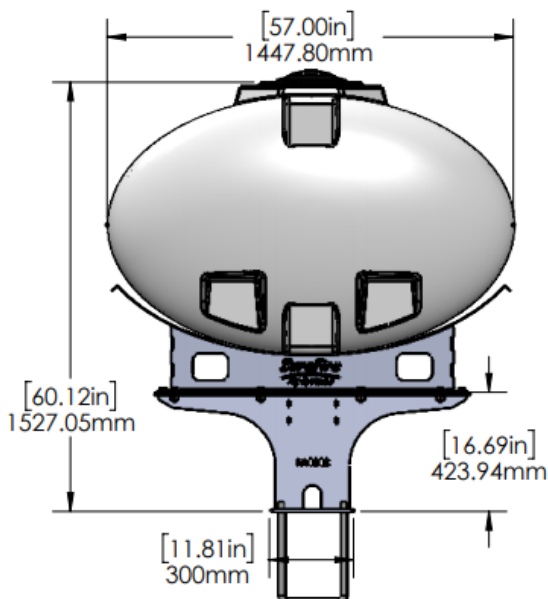
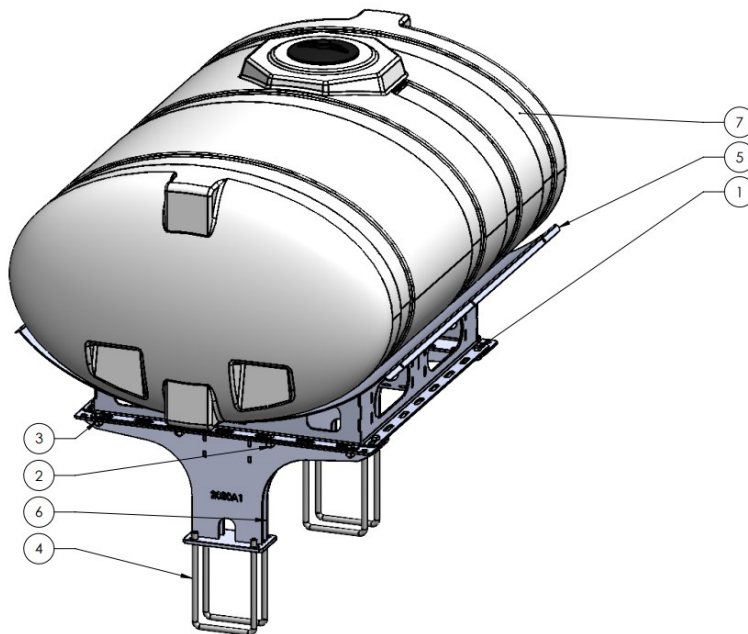


Parts List and Installation Dimensions

530-02-250600

Case IH 1250 Hitch Mount Tank - 500 Gal

ITEM NO.	PART NUMBER	DESCRIPTION	QTY.
1	300-100108-5	5/8" x 1-1/2" HCS G5	12
2	323-10	5/8" Flange Nut	12
3	330-10	5/8" Flat Washer	12
4	380-1066	3/4" U-bolt Kit - fits 8" x 12" tube - (8" opening) - includes flat & lock washers, and nuts	4
5	421-1329A2	500 Gallon Elliptical Cradle	1
6	421-2020A1	Planter Hitch Mount for Tank Cradle (400 or 500 Gallon)	2
7	727-01-HE0500-57-OS-W	Elliptical Tank - 500 Gal - White - Offset Sump	1



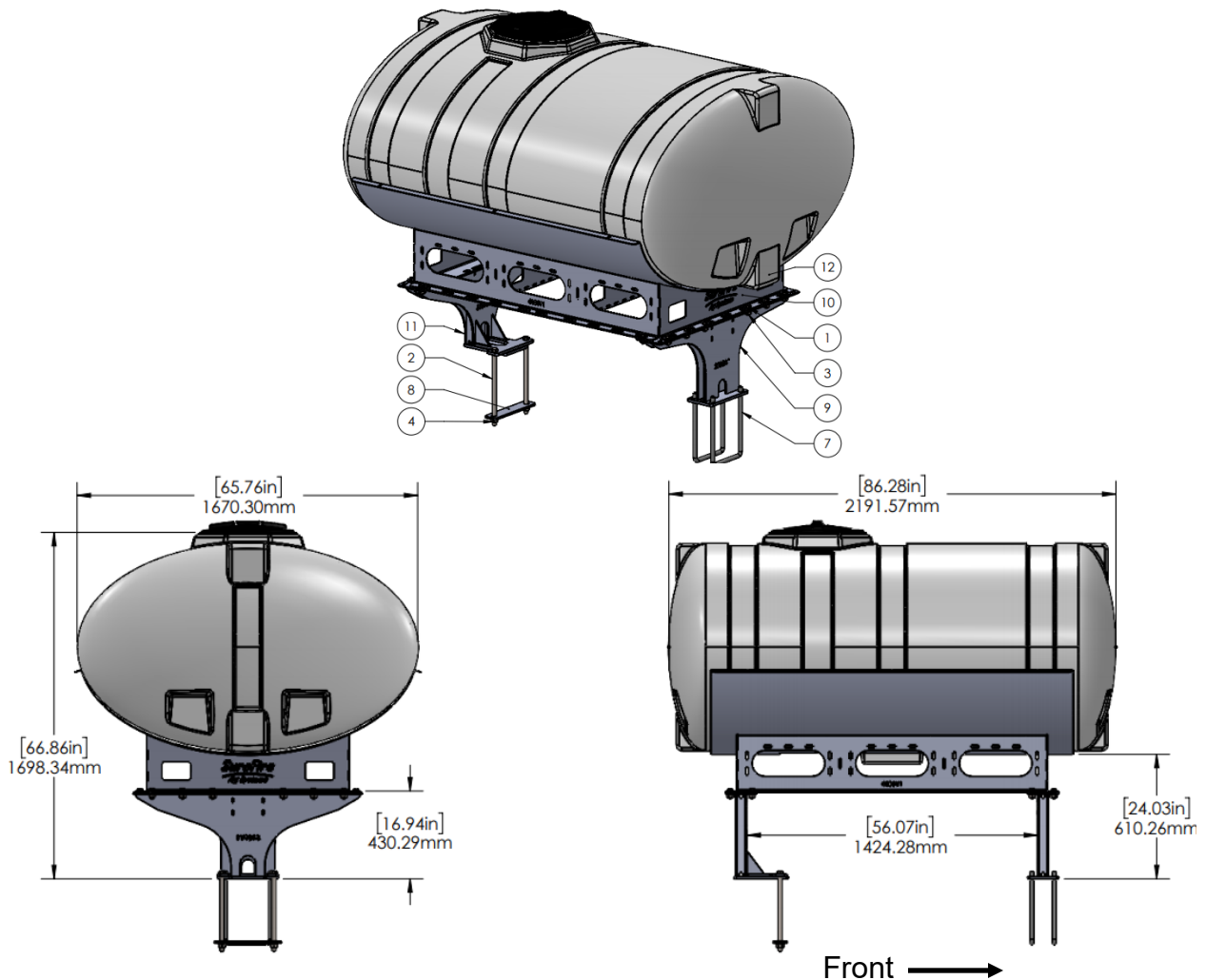


Parts List and Installation Dimensions

530-02-250700

Case IH 1250 Hitch Mount Tank - 600 Gal

ITEM NO.	PART NUMBER	DESCRIPTION	QTY.
1	300-100108-5	5/8" x 1-1/2" HCS	16
2	300-121500-5	3/4" x 15" Hex Head Bolt - G5	2
3	323-10	5/8" Flange Nut	16
4	323-12	3/4" Flange Nut	2
5	330-10	5/8" Flat Washer	16
6	330-12	3/4" Flat Washer	2
7	380-1066	3/4" U-bolt Kit - fits 8" x 12" tube - (8" opening) - includes flat & lock washers and nuts	2
8	400-5164Y1	3/8" Backer Plate for Rear Pedestal	1
9	421-2020A1	Planter Hitch Mount for Tank Cradle (400 or 500 Gallon)	1
10	421-4105Y1	600 Gallon Elliptical Tank Cradle	1
11	421-5159Y1	Rear Planter Hitch Mount for Tank Cradle (400 or 500 Gallon)	1
12	727-01-HE0600-64-CS-W	Elliptical Tank - 600 Gal - White - Center Sump	1

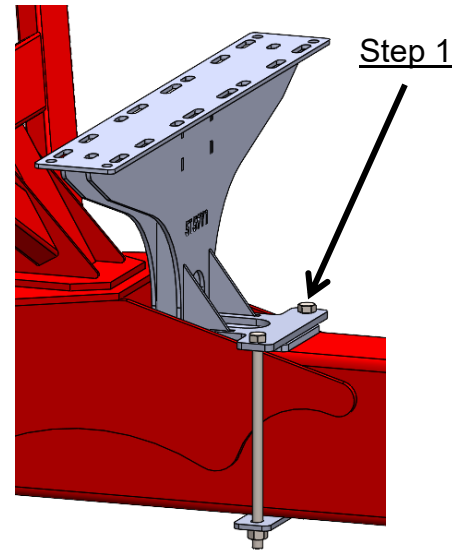




Step by Step Instructions For Pedestals

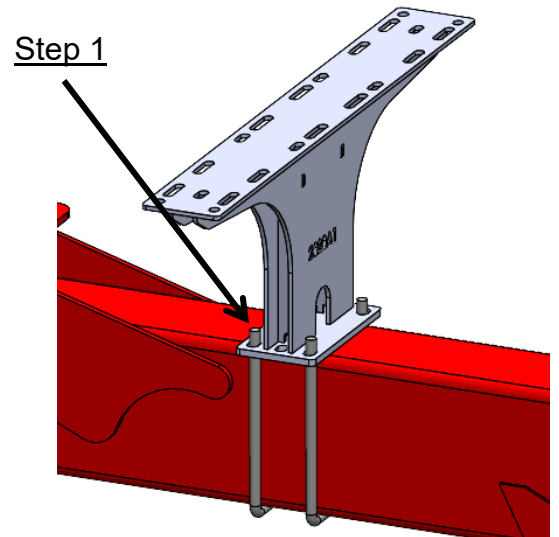
Rear Pedestal for 300/400/600 Gal Tank

1. Loosely mount rear pedestal 421-5159Y1, on hitch 2" from base plate or until clearing the gussets on hitch. Secure onto hitch using two (2) 3/4" x 15" hex head bolts, washers, 3/4" nuts, and backer plate.



Rear Pedestal for 500 Gal Tank

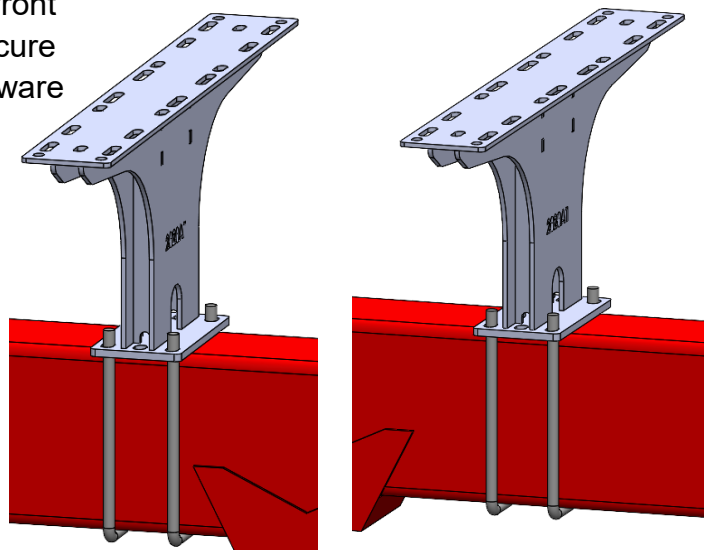
1. Loosely mount pedestal 421-2020A1 near the back of the hitch. Secure onto hitch using the hardware provided in hardware kit 380-1066.



Front Pedestal for all Tanks

1. Loosely mount pedestal 421-2020A1 near the front of the hitch. Adjust pedestal as needed and secure onto hitch using the hardware provided in hardware kit 380-1066.

Note: Position may vary with each tank.

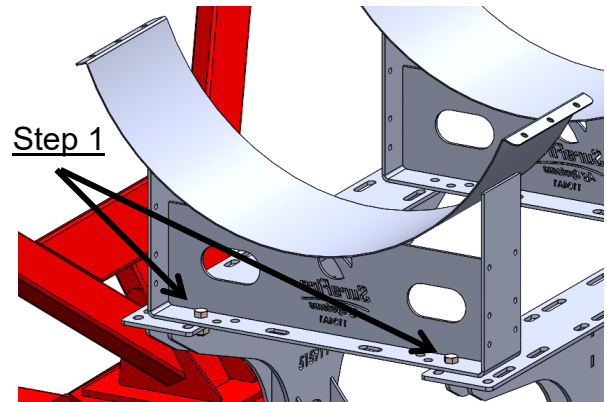




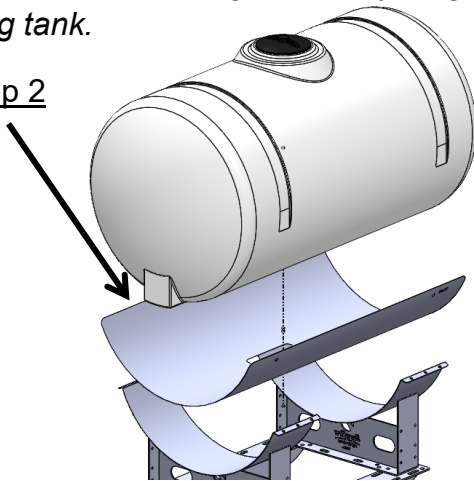
Step by Step Instructions For Cradle & Tank

300 Gallon Tank

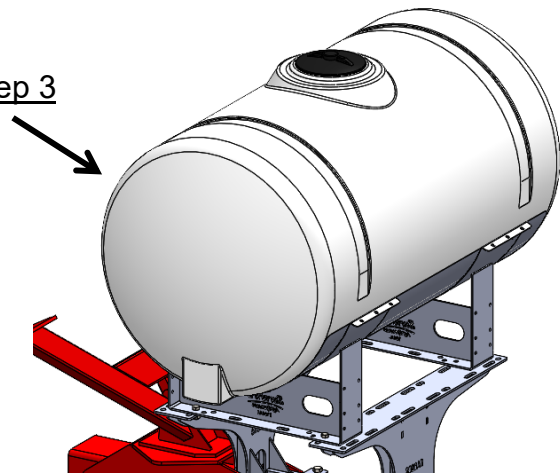
1. Loosely mount a tank saddle on the pedestals using two (2) 5/8" x 1-1/2" hex head bolts, washers, and nuts. Repeat for second tank saddle.
2. Place support sheet over top of both saddles.
3. Install tank with provided tank straps and tighten them down. *Note: Tighten everything again after filling tank.*



Step 2



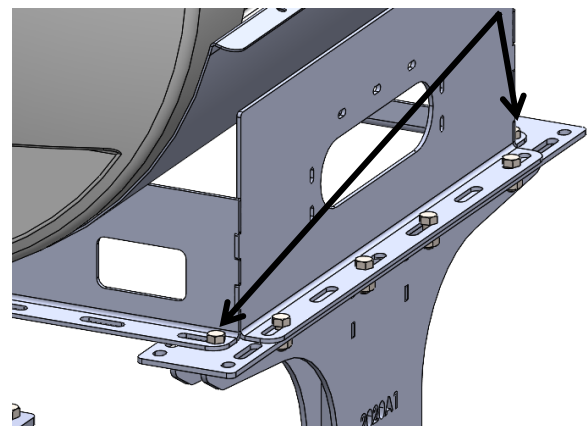
Step 3



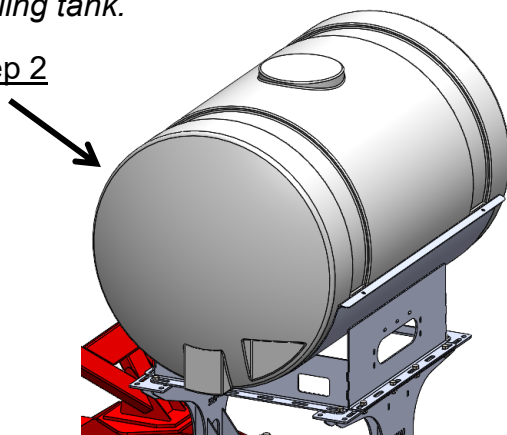
400 Gallon Tank

1. Loosely mount cradle on both pedestals using six (6) 5/8" x 1-1/2" hex head bolts, washers, and nuts. Repeat on opposite side.
2. Install tank with provided tank straps and tighten them down. *Note: Tighten everything again after filling tank.*

Step 1



Step 2

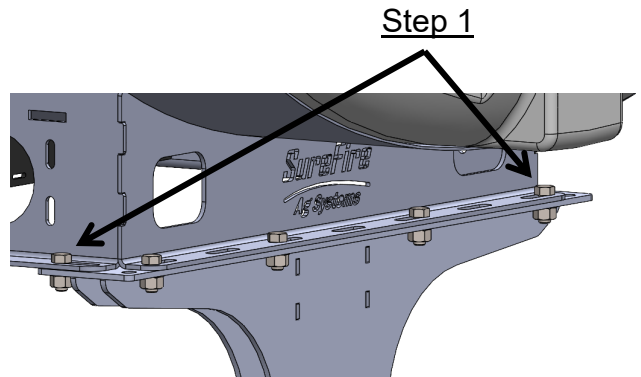




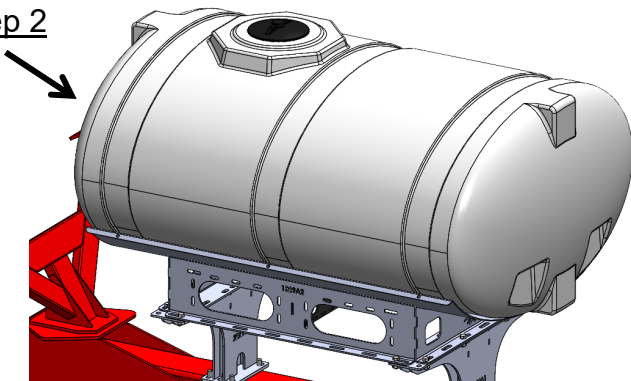
Step by Step Instructions For Cradle & Tank

500 Gallon Tank

1. Loosely mount cradle on both pedestals using six (6) 5/8" x 1-1/2" hex head bolts, washers, and nuts. *Repeat on opposite side.*
2. Install tank with provided tank straps and tighten them down. *Note: Tighten everything again after filling tank.*

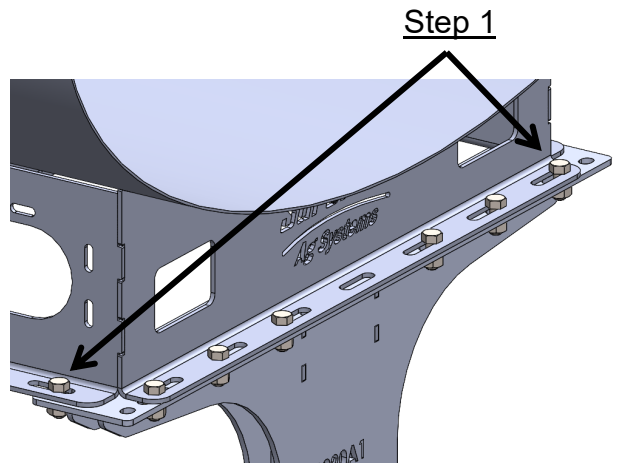


Step 2



600 Gallon Tank

1. Loosely mount cradle on both pedestals using eight (8) 5/8" x 1-1/2" hex head bolts, washers, and nuts. *Repeat on opposite side.*
2. Install tank with provided tank straps and tighten them down. *Note: Tighten everything again after filling tank.*



Step 2

