

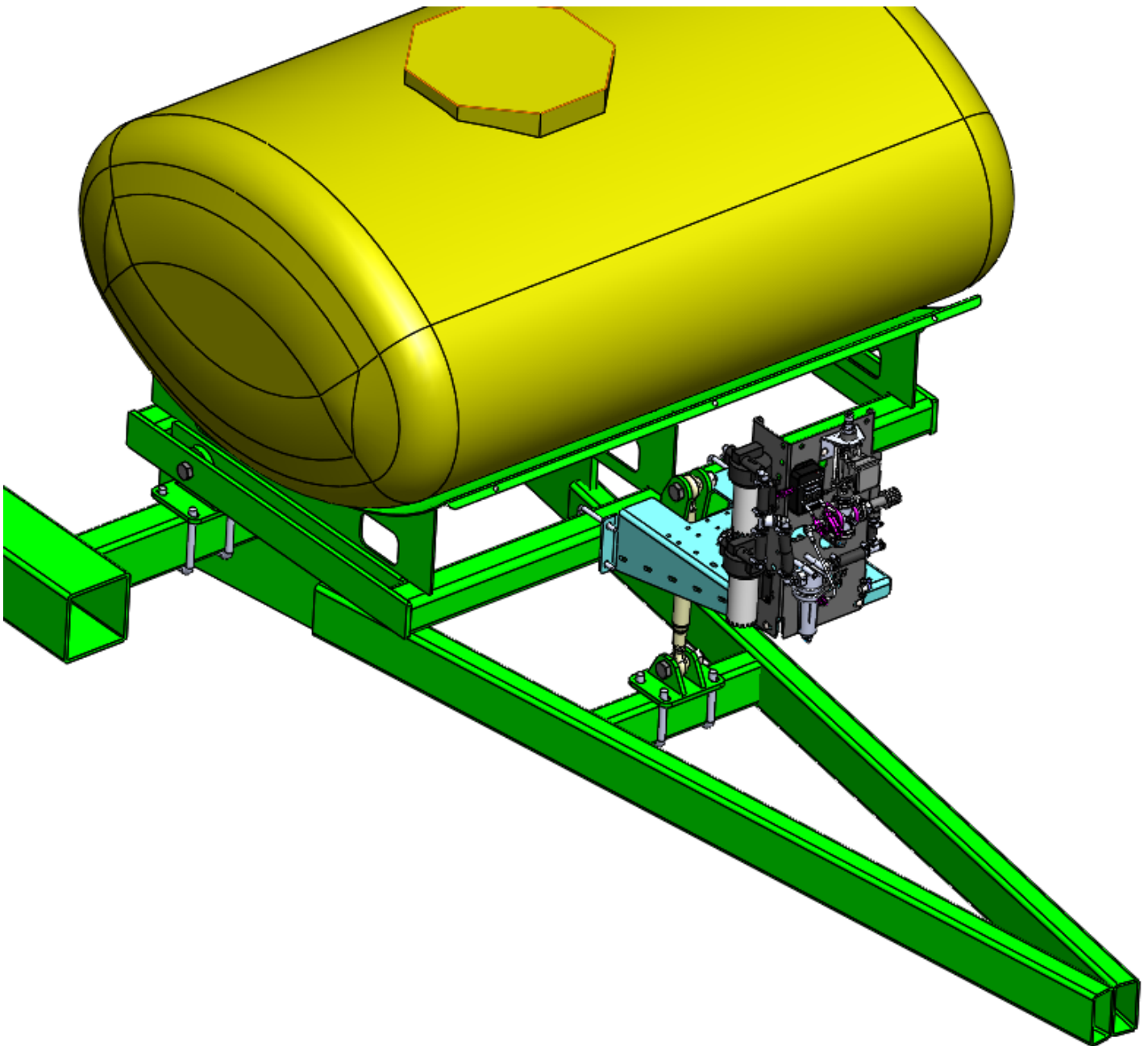


396-2647Y1

John Deere 1990/N500C Series 500 Gal Tank Tower/PumpRight Mount

Air Seeder Manufacturer: John Deere

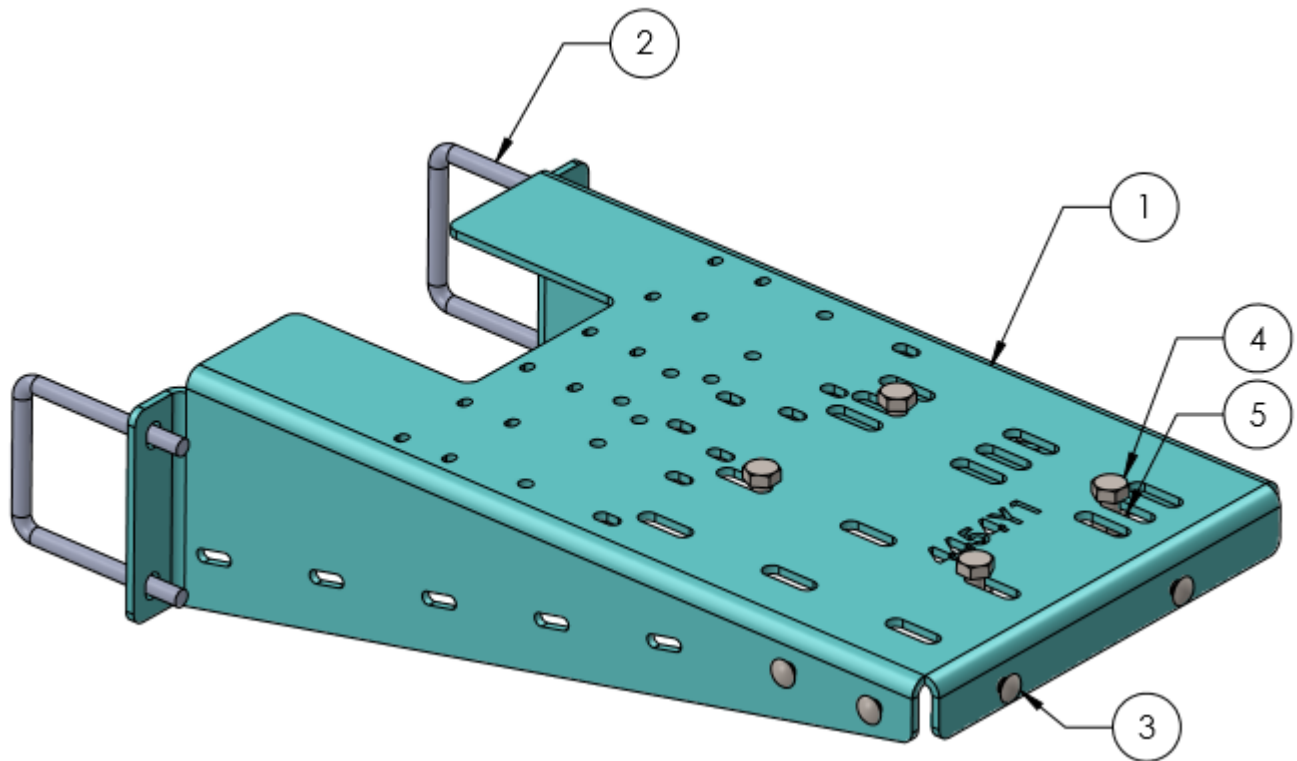
Kit Number: 515-201050





Parts List for SureFire Tower/ PumpRight Bracket

| ITEM NO. | PART NUMBER | DESCRIPTION | QTY. |
|----------|--------------|---|------|
| 1 | 410-4454Y1 | JD 1900/N500C Series Drill - Tower/PumpRight Mount Bracket for Cradle | 1 |
| 2 | 380-1023 | 1/2" U-bolt Kit - fits 4" x 4" tube - (4" opening) includes flange | 2 |
| 3 | 384-1080 | 3/8" Hardware Kit - Carriage Bolts and Nuts | 1 |
| 4 | 300-080108-5 | 1/2" x 1-1/2" Hex Head Bolt - G5 | 4 |
| 5 | 323-08 | 1/2" Flange Nut | 4 |





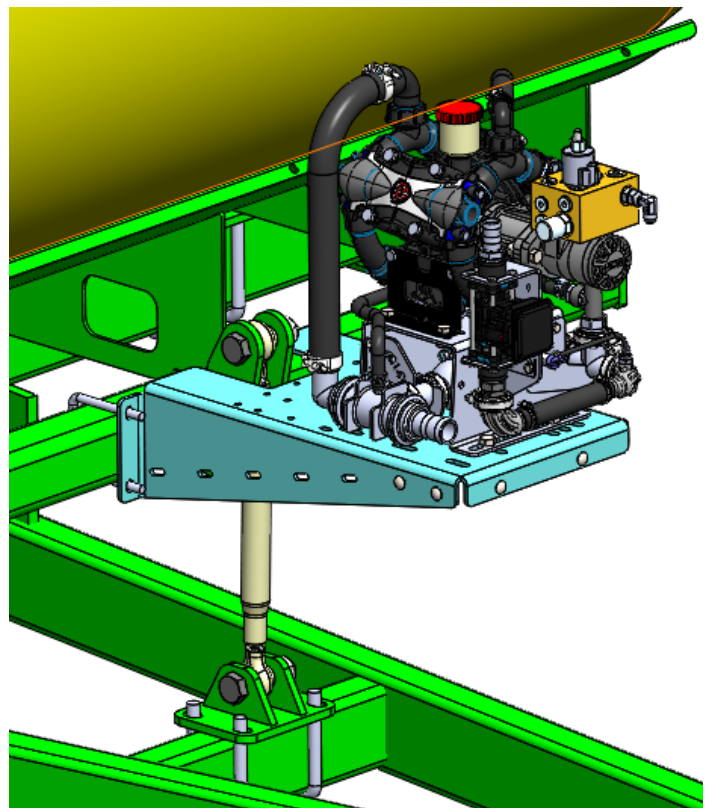
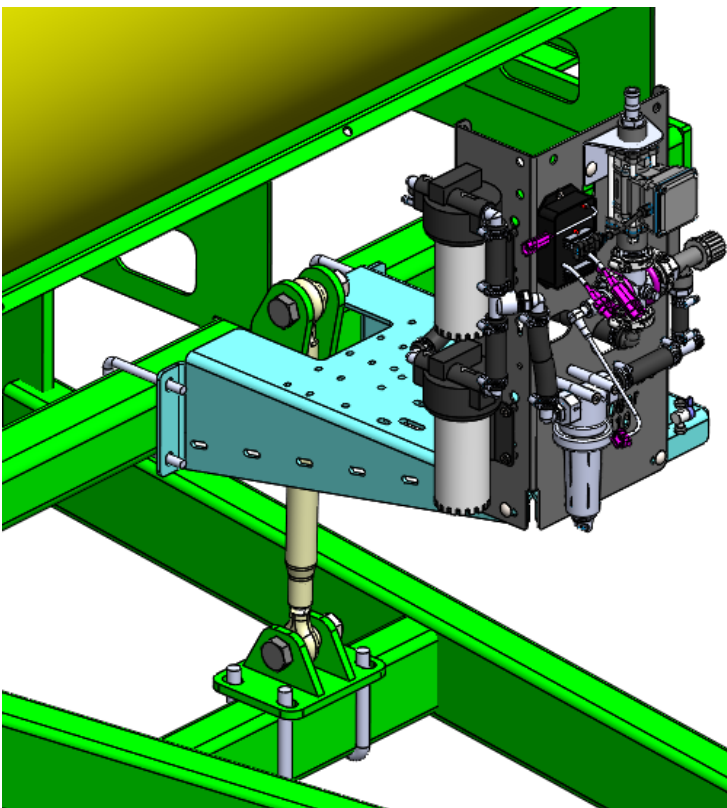
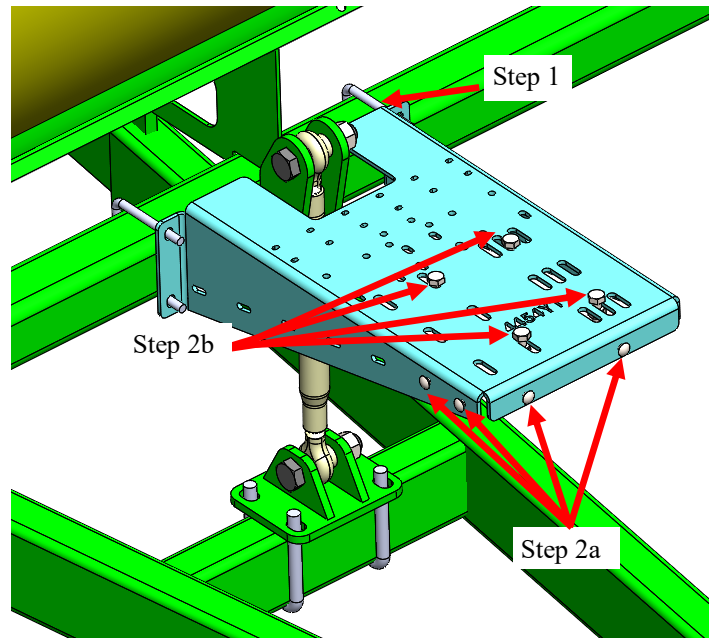
Step by Step Instructions

1. Bolt the Tower/PumpRight mount to cradle frame using 1/2" U-bolts

2a. Mount the SureFire Tower electric pump to the front of the pump bracket with 3/8" carriage bolts (shown at right and below). Use 3/4" hose to feed Tower

OR

2b. Mount the PumpRight hydraulic pump to the slotted holes on top of the pump bracket towards the end with 1/2" bolts (shown at right and bottom-right).



Related Items/Kits:

Tank Kit 551-03-100500 (Instruction Sheet 396-2622Y1)

Tank Kit 551-03-200100