



396-2641Y1

Tank Mounting Instructions

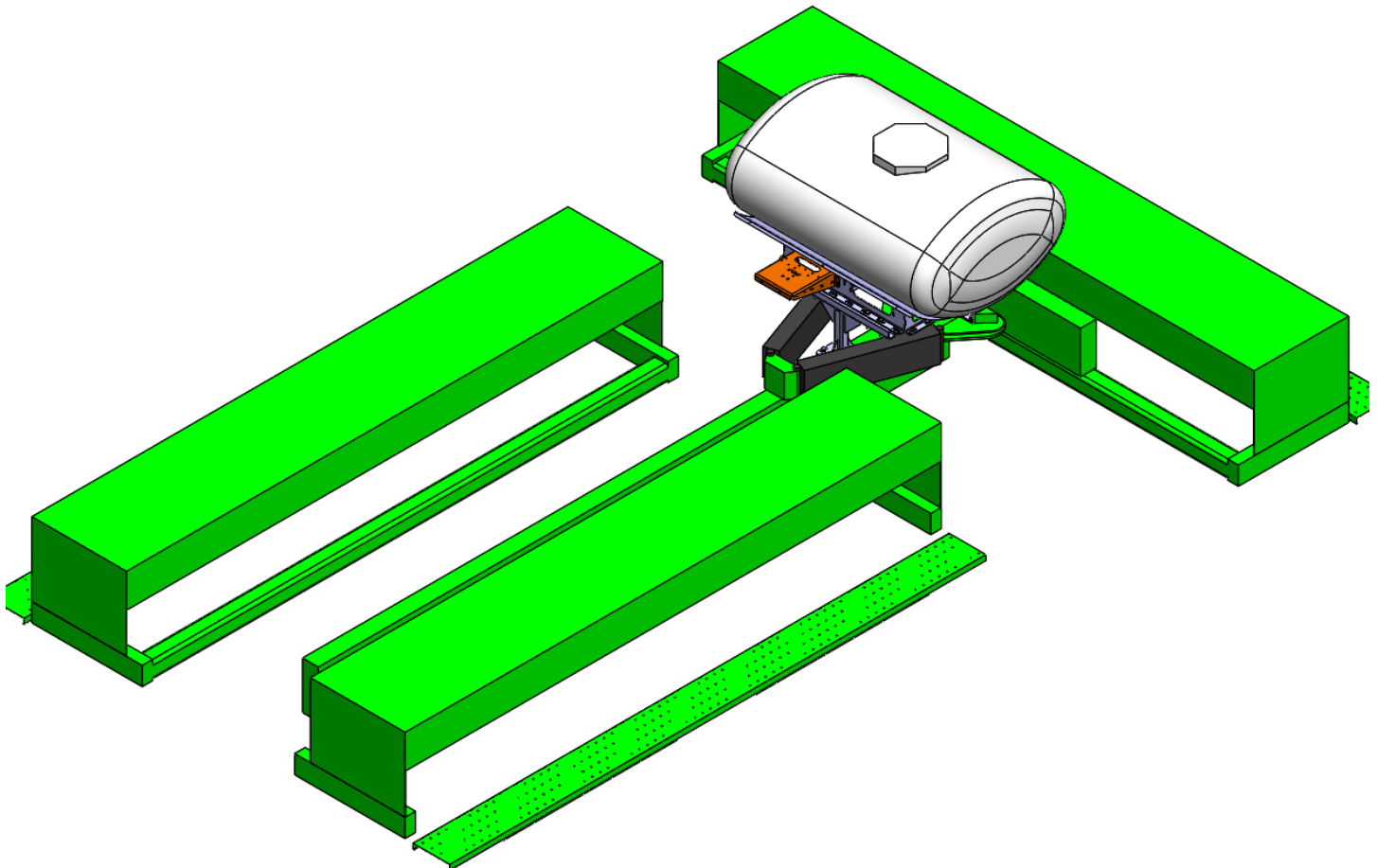
50' Drill

500 Gallon Elliptical Tank

Drill Manufacturer:



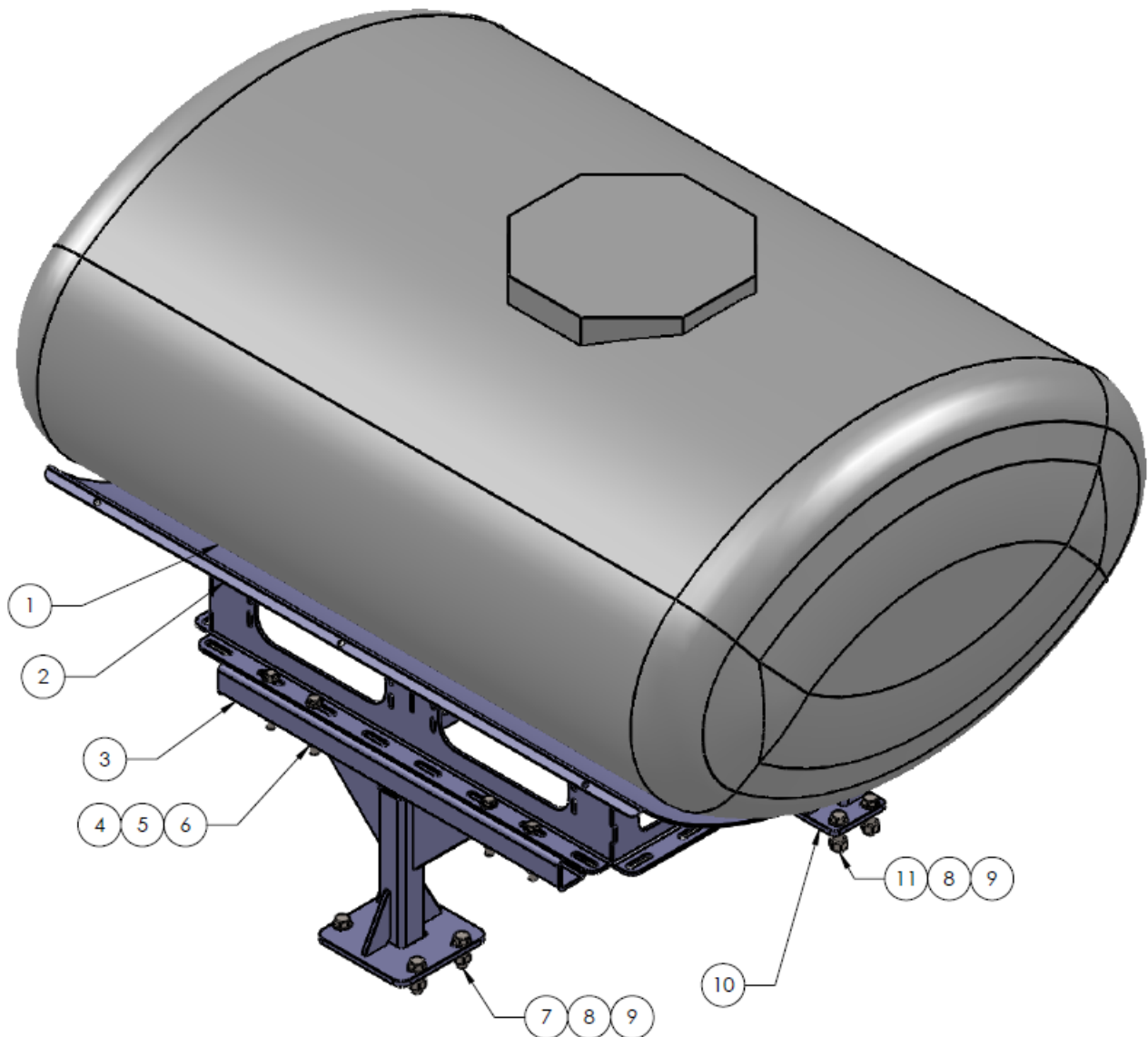
Kit Number: 551-04-400500





Parts List and Exploded View

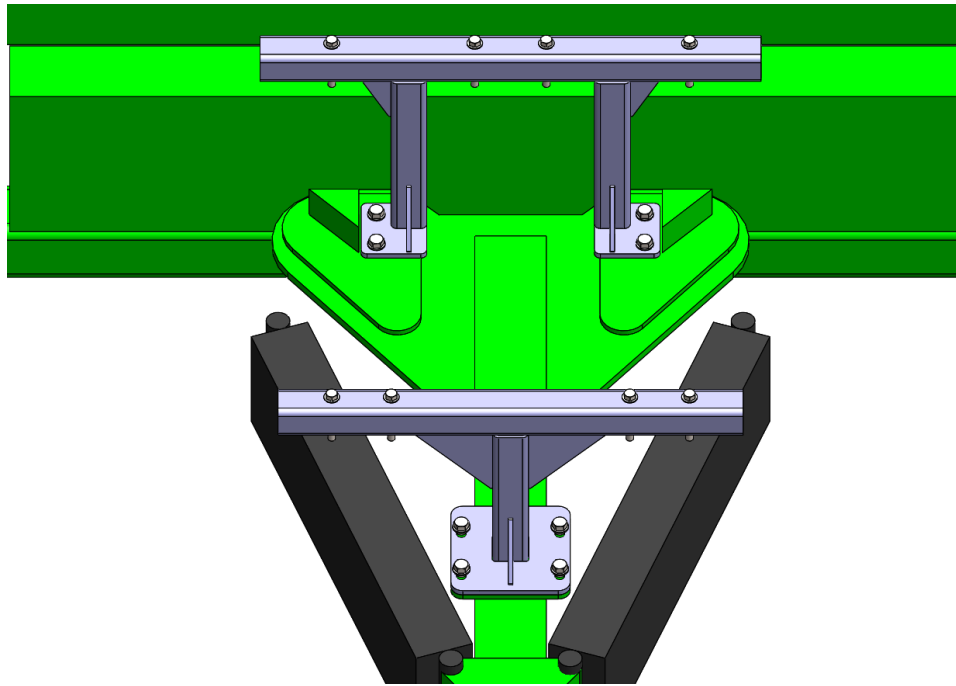
ITEM NO.	PART NUMBER	DESCRIPTION	QTY.
1	727-01-HE00500SWSS	Elliptical Tank - 500 Gallon	1
2	421-1329A2	500 Gallon Elliptical Cradle	1
3	450-2636Y1	GP 3S5000 Front Support WA	1
4	330-10	5/8" Flat Washer	8
5	300-100500-5	5/8" x 5" HCS G5	8
6	323-10	5/8" Flange Nut	8
7	300-120208-5	3/4" x 2-1/2" HCS G5	4
8	330-12	3/4" Flat Washer	8
9	323-12	3/4" Flange Nut	8
10	450-2637Y1	GP5000 Rear Rank Stand	1
11	300-120300-5	3/4" x 3" HCS G5	4
12	525-3000	3" Tank Strap Kit for 400 - 1000 gal tank	2



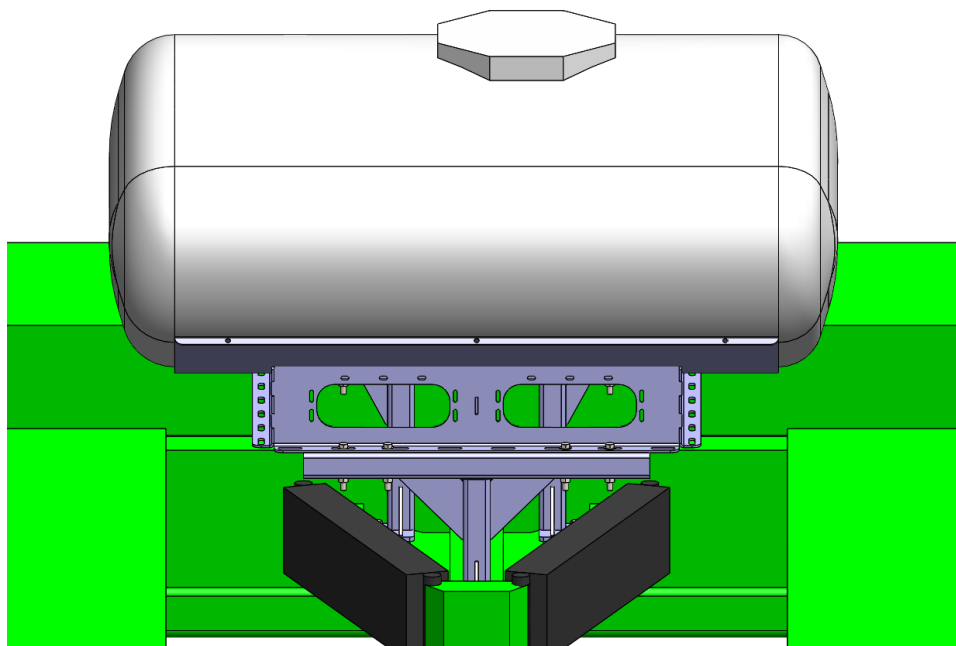


Step by Step Instructions

1. Loosely bolt rear stand to drill using holes in frame and 3/4" bolts. Note that gussets face forward.
2. Loosely bolt front stand to drill using holes in welded plate using 3/4" bolts.

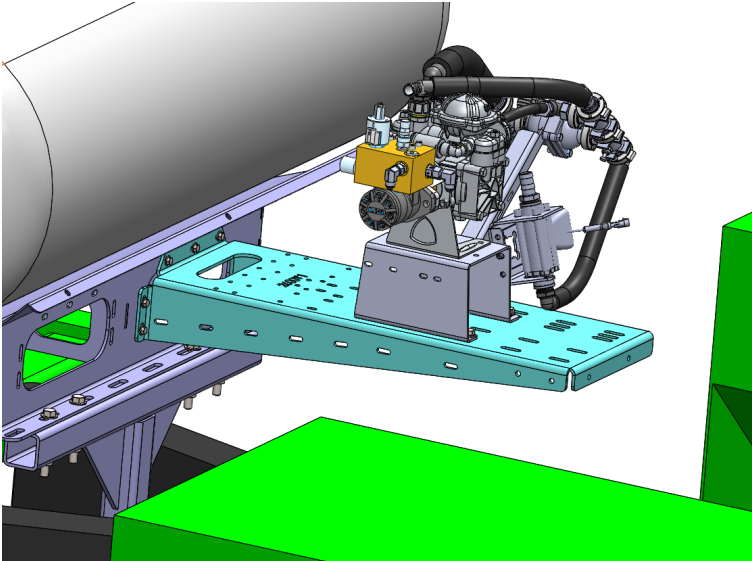


3. Set cradle on stands and bolt down using 5/8" bolts in locations shown above. Stands may be adjusted forward and backwards as necessary.
4. Once cradle is in place, tighten all bolts.
5. Set and strap tank in place on cradle.

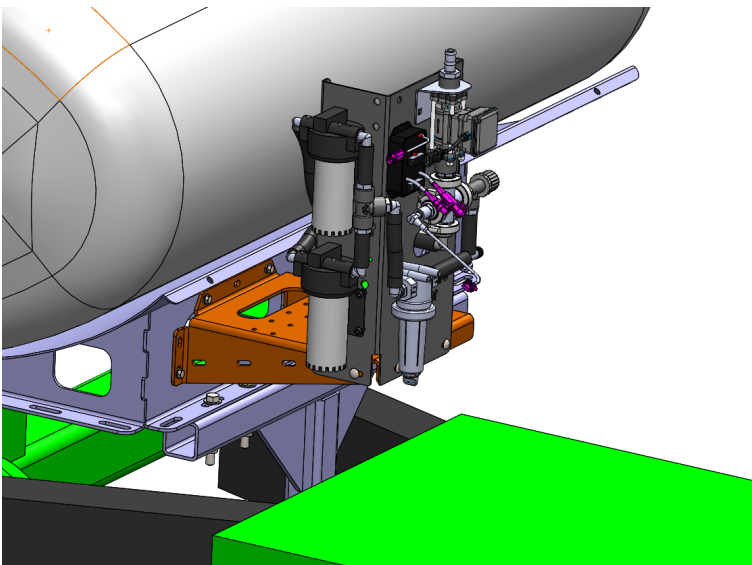




Optional/Related Items



PumpRight Bracket Kit
Kit Number: 515-203200
Instruction sheet: 396-2613Y1



Tower Bracket Kit
Kit Number: 511-100850
Instruction sheet: 396-2648Y1

Tank Fill Kit: 555-101350
Tower Discharge Kit: 556-1001
PumpRight Discharge Kit: 520-00-103600

Instruction Sheet: 396-2645Y1



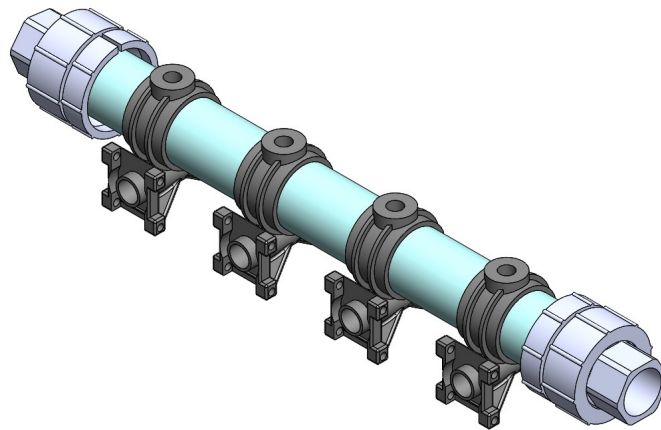
Optional/Related Items

Manifold Kits:

Instruction sheet for this kit: **396-2618Y1**

553-04-50000: 50' 7.5" spacing

553-04-50500: 50' 10" spacing



Stainless Steel Tubes:

270-54HD (shown at left)

270-54

270-GP10SERIESHD

Note: When tubes are installed on the HD openers, the seed flapper must be removed.