



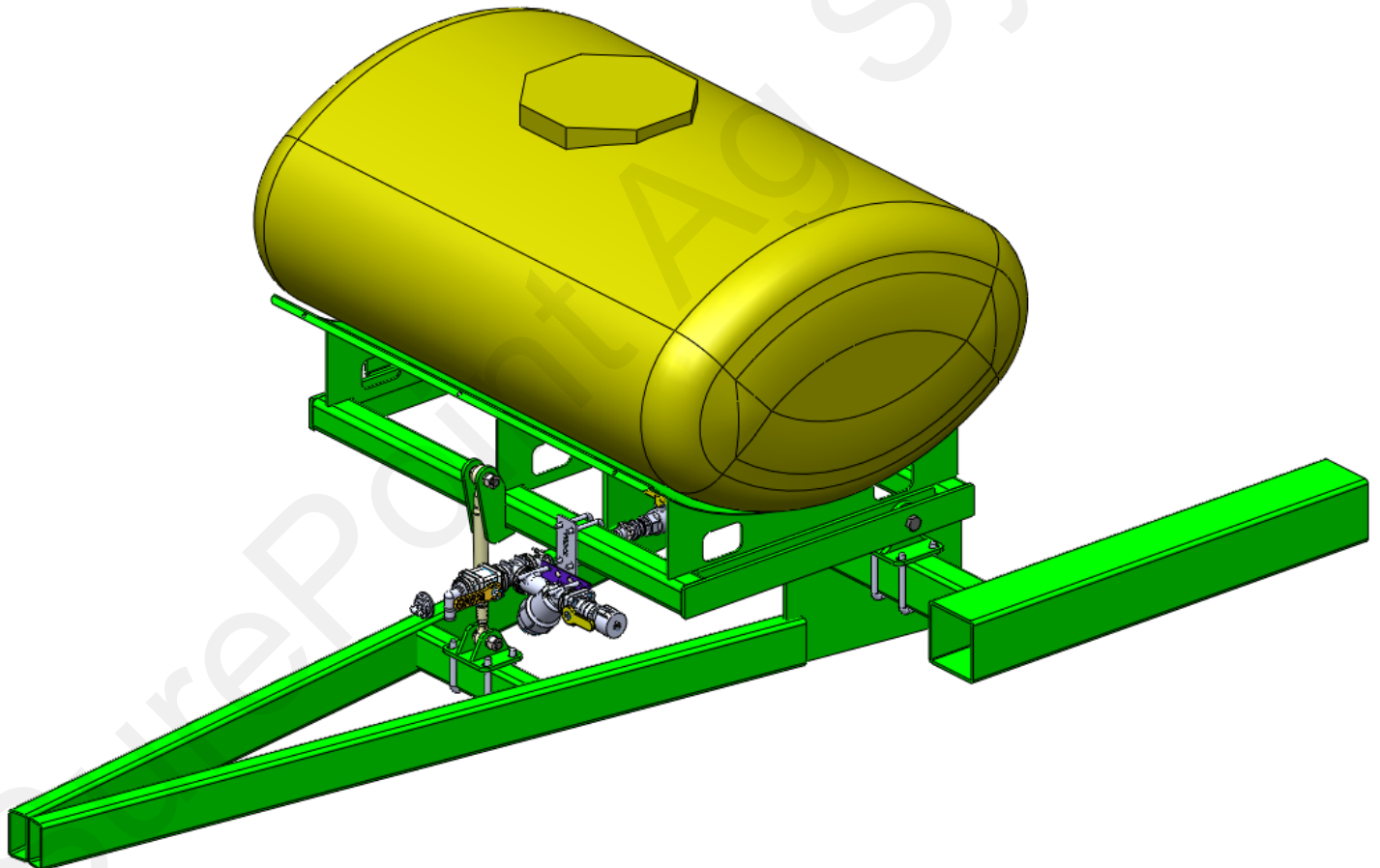
396-2623Y1

John Deere 1990

500 Gal Tank Fill and Discharge Kit

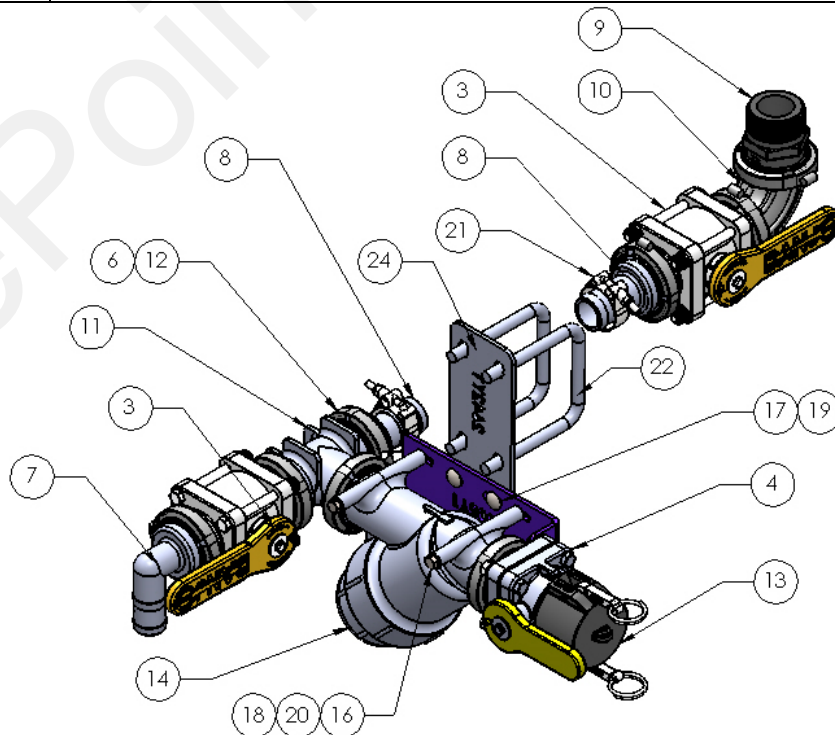
Kit Number: 555-101250

John Deere 1990/1890 Fill & Discharge Kit (Tower & PumpRight)



Parts List

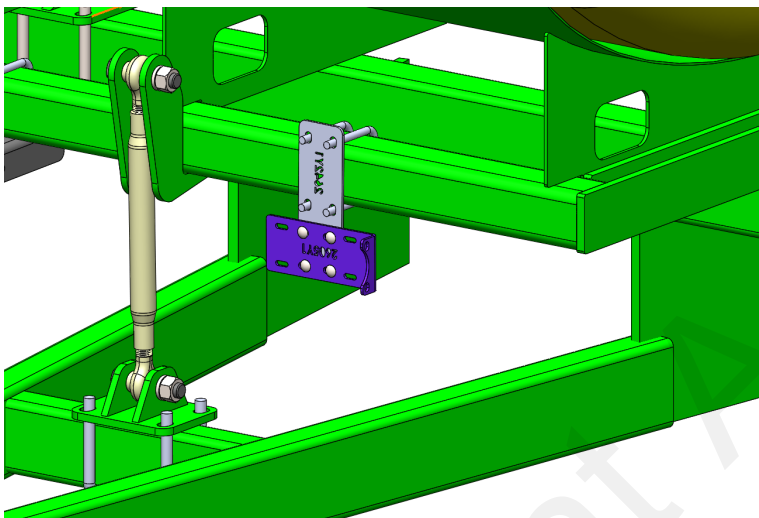
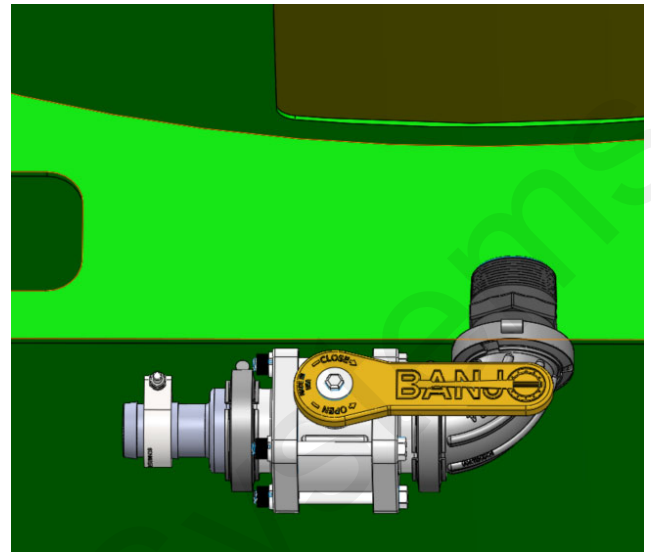
| ITEM NO. | PART NUMBER | DESCRIPTION | QTY. |
|----------|-----------------|---|------|
| 1 | 100-075PLUG | 3/4" Pipe Plug | 1 |
| 2 | 100-125PLUG | 1-1/4" Pipe Plug | 1 |
| 3 | 102-200MVCF | 2" Manifold Ball Valve | 2 |
| 4 | 102-200VSFCF | 200 Series Manifold x 2" Male Quick Coupler Std Port Valve | 1 |
| 5 | 105-150G-H | 1 1/2" EPDM Gasket | 3 |
| 6 | 105-150G | 1 1/2" EPDM Gasket | 5 |
| 7 | 105-200150BRB90 | 2" Manifold x 1-1/4" HB - 90 Degree | 1 |
| 8 | 105-200150BRB | 2" Manifold X 1-1/2" Barb | 2 |
| 9 | 105-200MPT | 2" Manifold x 2" MPT | 1 |
| 10 | 105-200SWP90 | 2" Manifold Sweep - 90 Degree | 1 |
| 11 | 105-200TEE | 2" Flanged Tee Fitting | 1 |
| 12 | 105-FC200 | 2" Manifold Clamp | 8 |
| 13 | 106-200CAP | 2" Cap | 1 |
| 14 | 109-200MLS-20M | 2" Manifold Y Strainer - 20 Mesh w/ 5/16" bolt holes for mounting | 1 |
| 15 | 280-150-ENF | 1-1/2" Enforcer Hose | 5 |
| 16 | 300-050508-5 | 5/16" x 5-1/2" Hex Head Bolt-G5 | 2 |
| 17 | 304-060100-SS | Carriage Bolt - 3/8" x 1" SS | 4 |
| 18 | 323-05 | 5/16" Flange Nut | 2 |
| 19 | 323-06 | 3/8" Flange Nut | 4 |
| 20 | 330-05 | 5/16" Flat Washer | 2 |
| 21 | 350-TC181 | T-Bolt Hose Clamp - 1.81 - 2.06" Diameter (fits 1 1/2" Enforcer or AG200) | 2 |
| 22 | 380-1023 | 1/2" U-Bolt, fits 4"x4" tube | 2 |
| 23 | 400-2605Y1 | Universal Fill Kit Strainer Mount | 1 |
| 24 | 455-2642Y1 | Bracket for Fill Kit Strainer Mount | 1 |





Step by Step Instructions

1. Insert plug into tank bung that will not be used
2. Thread 2" Manifold x MPT fitting into tank bung.
3. Assemble manifold fittings as shown.



4. Bolt the fill kit bracket mount to cradle frame using 1/2" U-bolts
5. Bolt the strainer mount to the fill kit bracket mount using 3/4"x1" carriage bolts

6. Assemble the fill strainer sub-assembly as shown on page 2. Bolt to strainer mount using 5/16" bolts through strainer and bolts in valve
7. Route 1-1/2" hose from strainer assembly to hose barb under tank and clamp
8. Tower or PumpRight can mount to the front of the cradle using Kit 515-201050 (see pictures below) using either 3/4" hose to feed Tower or 1-1/2" hose to feed PumpRight

