



396-2623Y1

John Deere 1990

500 Gal Tank Fill and Discharge Kit

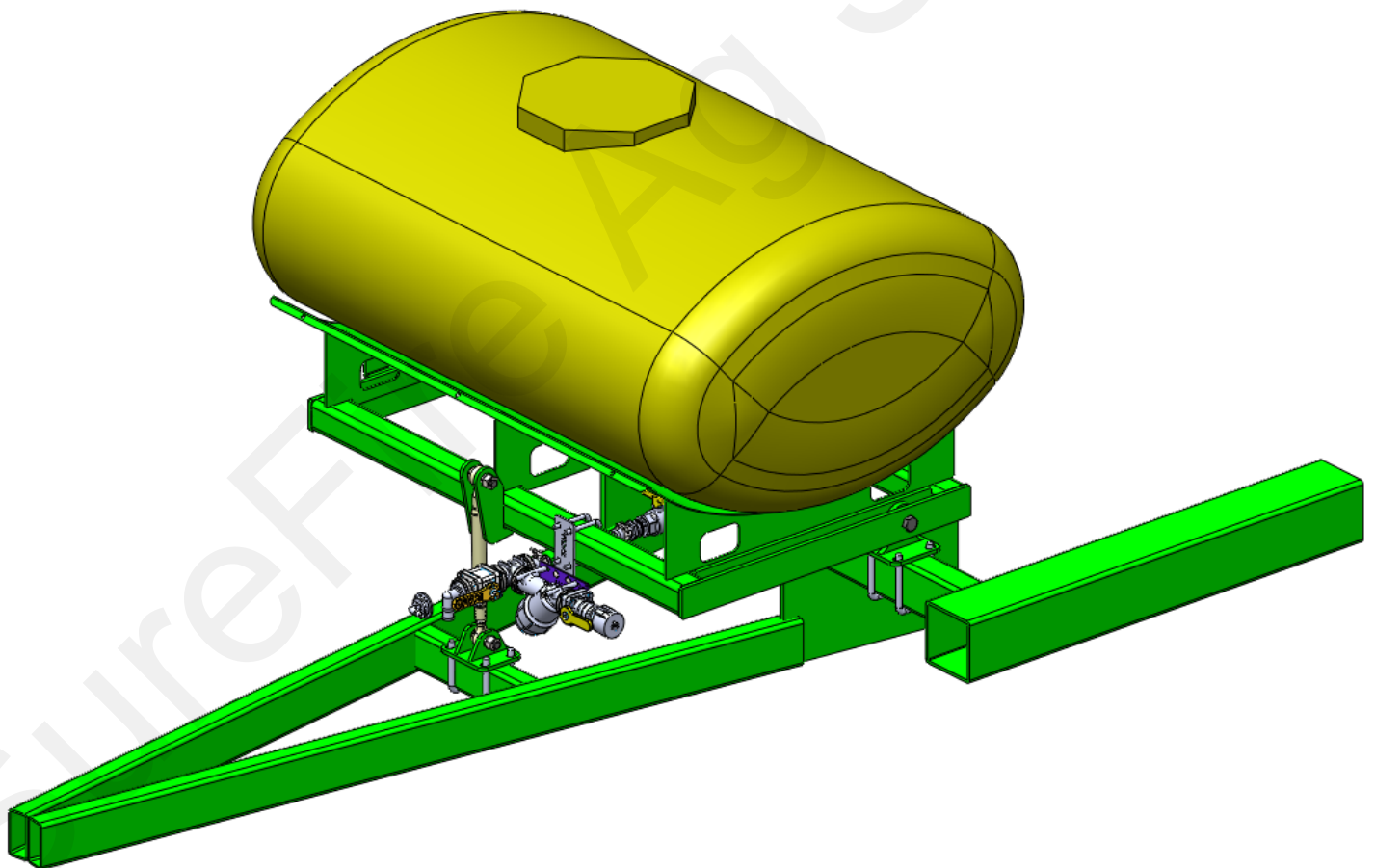
Air Seeder Manufacturer:



JOHN DEERE

Kit Number: 555-101250

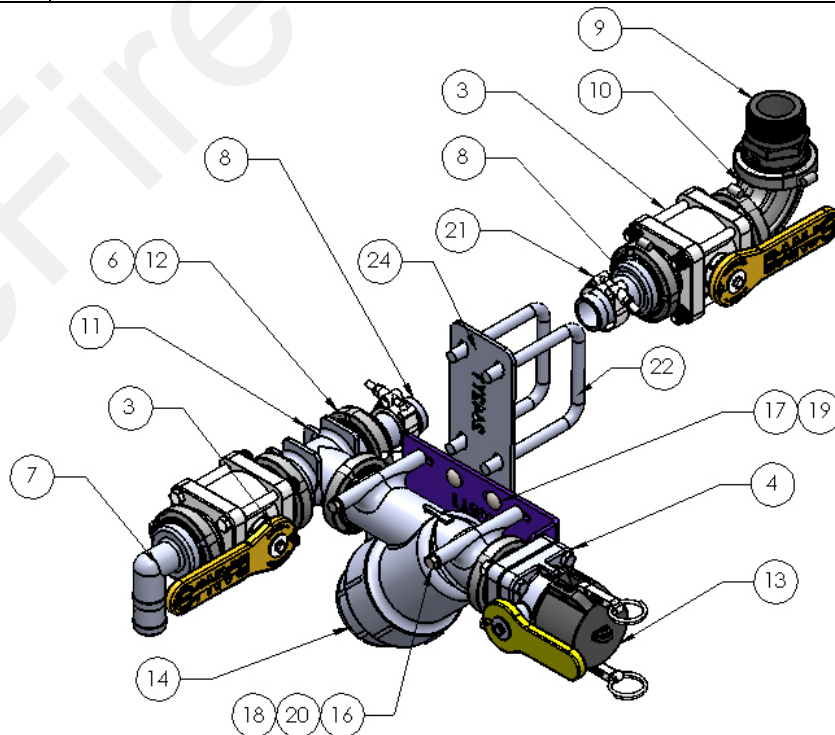
John Deere 1990/1890 Fill & Discharge Kit (Tower & PumpRight)





Parts List

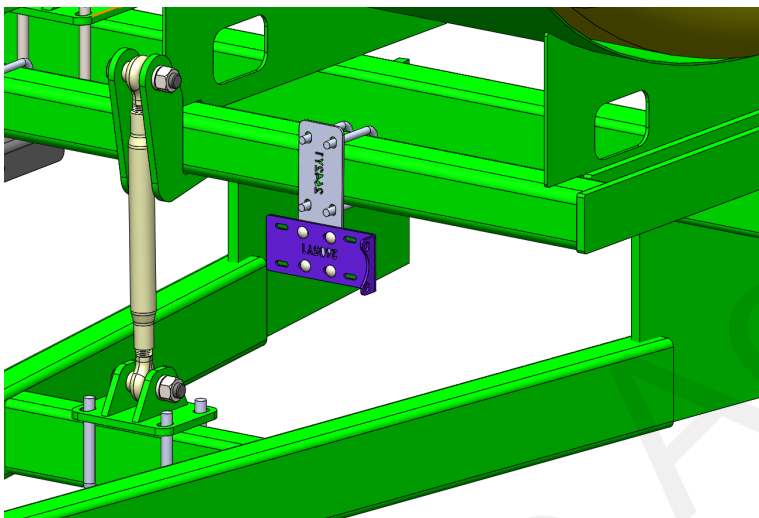
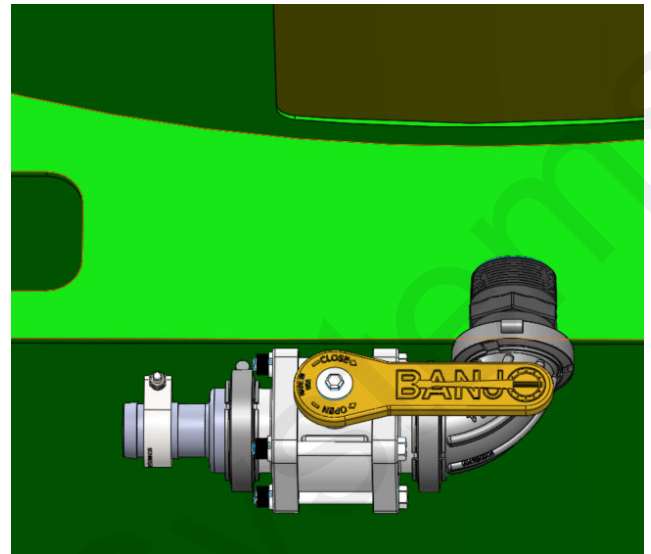
ITEM NO.	PART NUMBER	DESCRIPTION	QTY.
1	100-075PLUG	3/4" Pipe Plug	1
2	100-125PLUG	1-1/4" Pipe Plug	1
3	102-200MVCF	2" Manifold Ball Valve	2
4	102-200VSFCF	200 Series Manifold x 2" Male Quick Coupler Std Port Valve	1
5	105-150G-H	1 1/2" EPDM Gasket	3
6	105-150G	1 1/2" EPDM Gasket	5
7	105-200150BRB90	2" Manifold x 1-1/4" HB - 90 Degree	1
8	105-200150BRB	2" Manifold X 1-1/2" Barb	2
9	105-200MPT	2" Manifold x 2" MPT	1
10	105-200SWP90	2" Manifold Sweep - 90 Degree	1
11	105-200TEE	2" Flanged Tee Fitting	1
12	105-FC200	2" Manifold Clamp	8
13	106-200CAP	2" Cap	1
14	109-200MLS-20M	2" Manifold Y Strainer - 20 Mesh w/ 5/16" bolt holes for mounting	1
15	280-150-ENF	1-1/2" Enforcer Hose	5
16	300-050508-5	5/16" x 5-1/2" Hex Head Bolt-G5	2
17	304-060100-SS	Carriage Bolt - 3/8" x 1" SS	4
18	323-05	5/16" Flange Nut	2
19	323-06	3/8" Flange Nut	4
20	330-05	5/16" Flat Washer	2
21	350-TC181	T-Bolt Hose Clamp - 1.81 - 2.06" Diameter (fits 1 1/2" Enforcer or AG200)	2
22	380-1023	1/2" U-Bolt, fits 4"x4" tube	2
23	400-2605Y1	Universal Fill Kit Strainer Mount	1
24	455-2642Y1	Bracket for Fill Kit Strainer Mount	1





Step by Step Instructions

1. Insert plug into tank bung that will not be used
2. Thread 2" Manifold x MPT fitting into tank bung.
3. Assemble manifold fittings as shown.



4. Bolt the fill kit bracket mount to cradle frame using 1/2" U-bolts
5. Bolt the strainer mount to the fill kit bracket mount using 3/4"x1" carriage bolts

6. Assemble the fill strainer sub-assembly as shown on page 2. Bolt to strainer mount using 5/16" bolts through strainer and bolts in valve
7. Route 1-1/2" hose from strainer assembly to hose barb under tank and clamp
8. Tower or PumpRight can mount to the front of the cradle using Kit 515-201050 (see pictures below) using either 3/4" hose to feed Tower or 1-1/2" hose to feed PumpRight

