

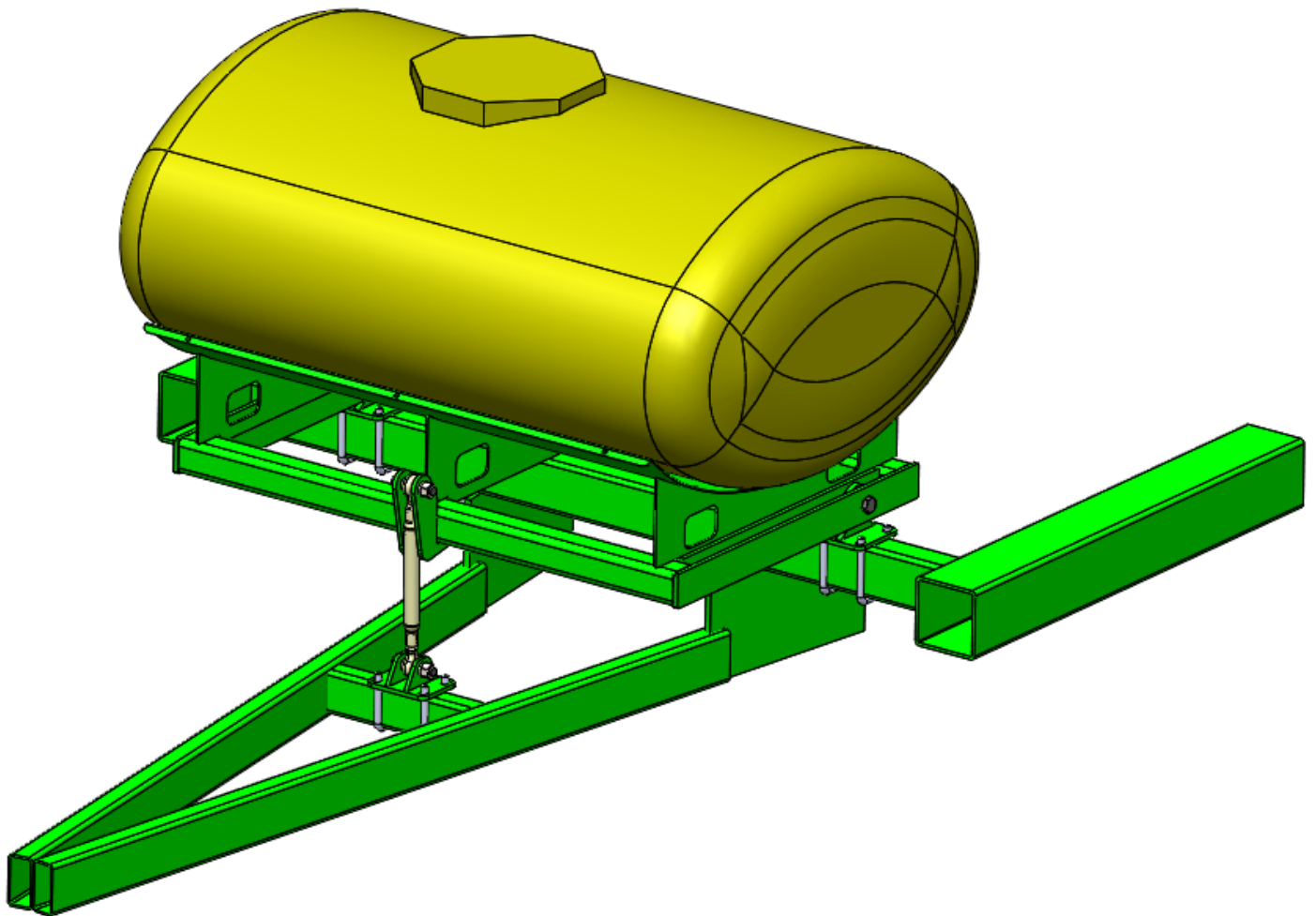


396-2622Y1

John Deere 1990 CCS Front Hitch 500 Gal Elliptical Tank Mount

Air Seeder Manufacturer: John Deere

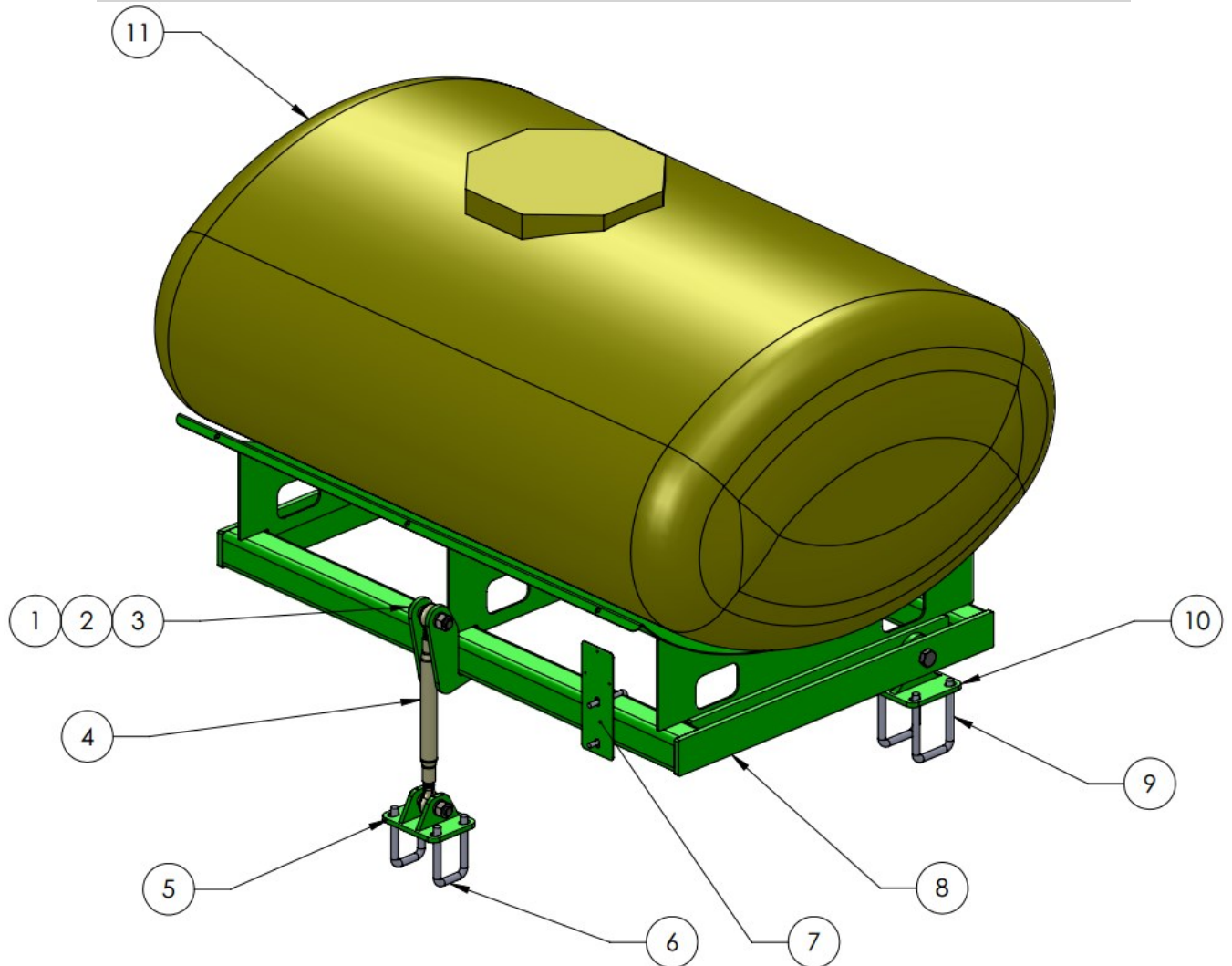
Kit Number: 551-03-100500





Parts List

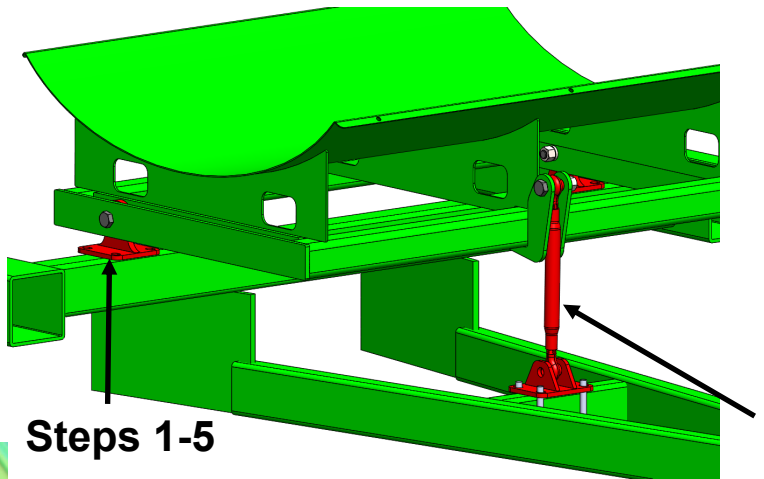
ITEM NO.	PART NUMBER	DESCRIPTION	QTY.
1	320-16	1" Nut	4
2	331-16	1" Lock Washer	4
3	300-160408-8	1"4 1/2" HCS G8	4
4	399-TL173	Top Link 2, 1" Swivel Ball	1
5	455-1309A1	Top Link Lower Mount	1
6	380-1061	3/4" x 3" x 6-1/2" Square Bend U-Bolt	2
7	455-2677Y1	Bracket for JD Hydraulic Gauge	1
8	455-1300A1 WA	Welded Assembly	1
9	380-1062	3/4" x 4" x 7-1/2" Square Bend U-Bolt	4
10	455-1301A1	Ball Mount	2
11	727-01-HE00500SYSS	Elliptical Tank - 500 Gallon - Yellow	1
12	525-3000	3" Tank Strap Kit for 400 - 1000 gal tank	3
13	101-025025-HM-H	1/4" HB x 1/4" HB mender	1
14	161-02-8MJ-8FJX-90	Elbow - #8 female JIC to #8 male	4
15	281-038	3/8" OD Tube	15
16	350-0405	SS Hose Clamp - Size 4 - 5/8"	2
17	380-1023	1/2" x 4" x 5" Square Bend U-Bolt	1





Step by Step Instructions

1. Begin by using 1" bolts to attach the rear ball joint mounts and top link to the tank cradle
2. Loosely bolt front support to the hitch cross member using 3/4" U-bolts
3. Unbolt hydraulic down press valve and relocate (see picture below) by using part 14 (elbow)
4. Set cradle on frame and use 3/4" U-bolts to bolt rear mounts around frame and 1" bolt to mount top link to front mount



Step 3



Step 7

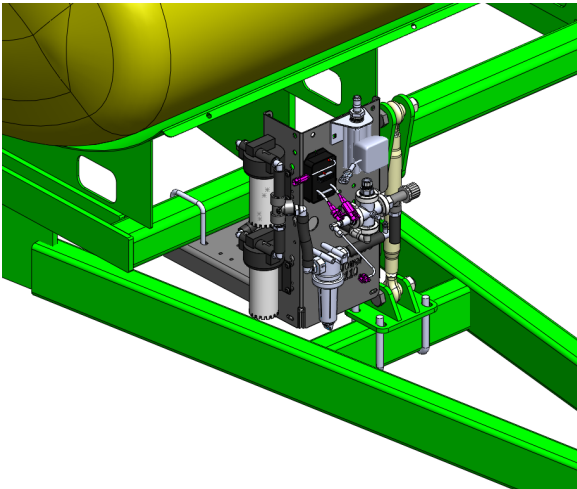


5. Adjust top link to proper length and tighten all bolts. Make final adjustment to top link when seeder is attached to tractor, leveling out the tank and cradle
6. Use parts 11 and 13 to mend the current 3/8" tubing to the 3/8" tubing provided so it will extend to the front of the tank and reach the gauge (pictured above and left)
7. Use PN: 455-2677Y1 to mount the gauge in its new location (shown above) with 1/2" U-bolts
8. Set tank in cradle and strap down with 3" tank straps

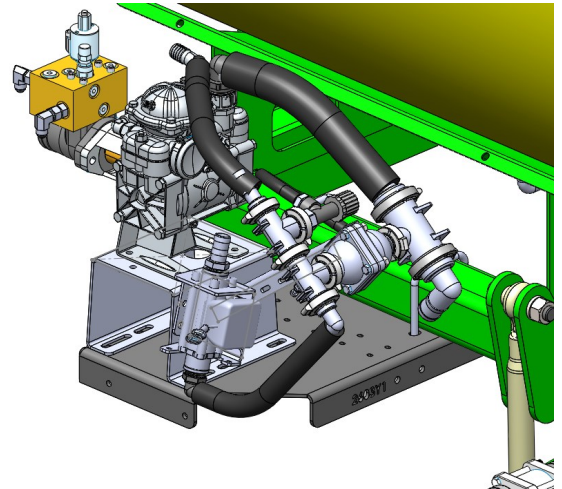


Optional/Related Items

Tower and PumpRight Mount Kit: 515-201050 Instruction Sheet for this Kit: 396-2647Y1

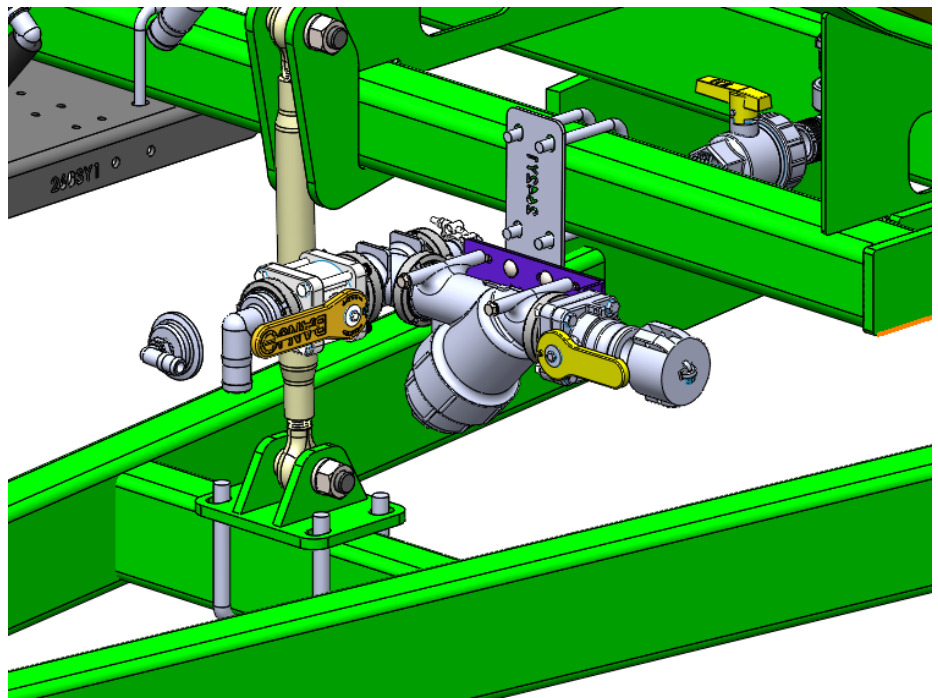


Tower pumps are fed with 3/4" hose from the valve in the plumbing kit below.



PumpRight pumps are fed with 1-1/2" hose from the valve in the plumbing kit below

Tank Fill and Discharge Kit Kit Number: 555-101250 Instruction sheet for this kit: 396-2623Y1



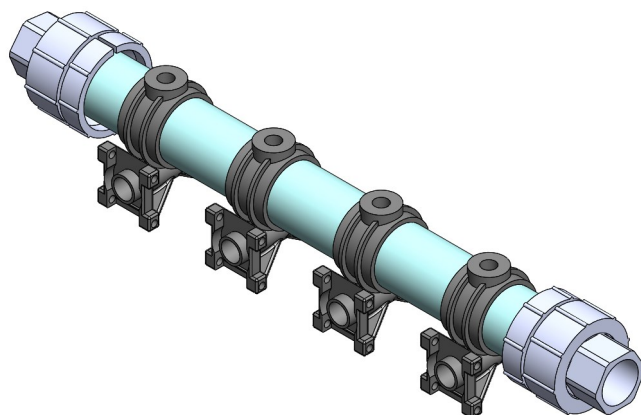


Optional/Related Items

Manifold Kits:

Instruction sheet for these kits: 396-2620Y1

553-03-30000:	30' 7.5" spacing
553-03-30500:	30' 10" spacing
553-03-36000:	36' 7.5" spacing
553-03-36500:	36' 10" spacing
553-03-40000:	40' 7.5" spacing
553-03-40500:	40' 10" spacing
553-03-42000:	42.5' 7.5" spacing
553-03-42500:	42.5' 10" spacing



The Fin:

Instruction Sheet 396-2624Y1

272-01-FIN60/90-L

272-01-FIN60/90-R

