



# 396-001290

## John Deere 1770/1775NT

### 60 Ft - 24 Row

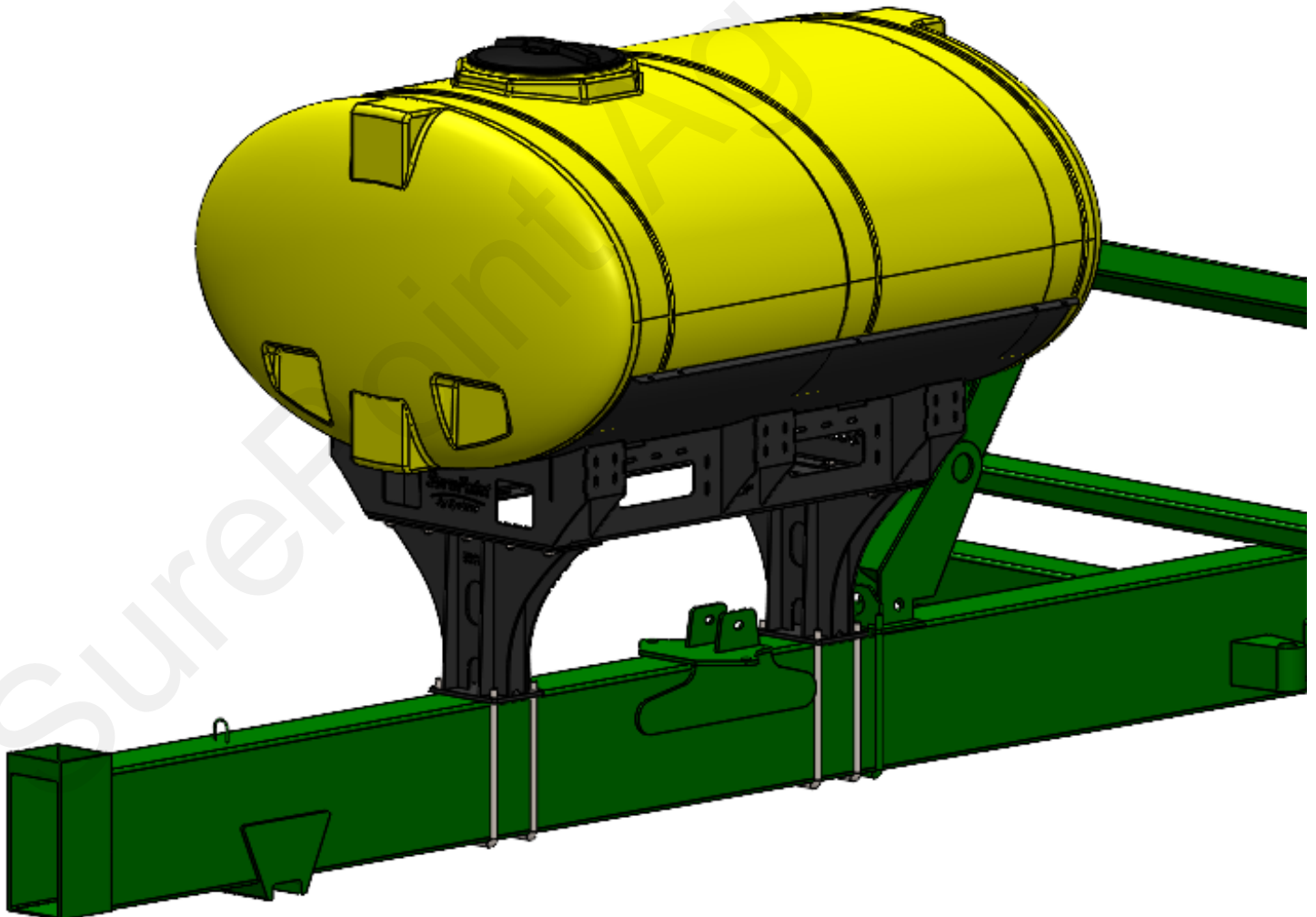
### Hitch Mounted Tank Instructions

**Kit Number:**

**530-01-155500: 500 Gallon Elliptical Tank Kit**

**530-01-155550: 600 Gallon Elliptical Tank Kit**

**530-01-155600: 750 Gallon Elliptical Tank Kit**





# SurePoint Ag Systems Fertilizer Tank Safety and Warnings



SurePoint Ag Systems does not recommend transporting your implement with full fertilizer tanks. Doing so can result in damage to brackets and implement.



Remember to wear proper PPE (*Personal Protective Equipment*) when installing SurePoint Ag Systems fertilizer tank kits. Proper PPE includes gloves, foot and eye protection, and hearing protection.



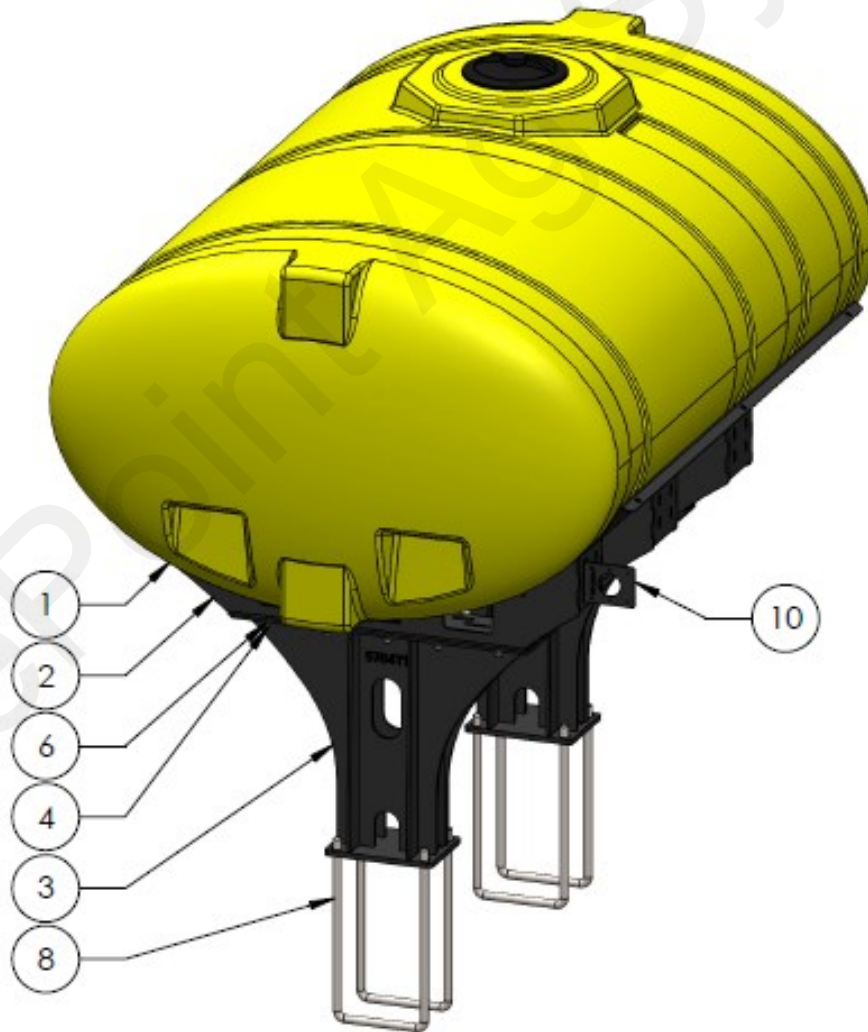
SurePoint Ag Systems fertilizer application systems require winterization when not in use. Refer to your product manual for winterization procedures.

Failure to follow the above warnings can result in personal injury, damage to your SurePoint Ag Systems products, and damage to your implement.



# Parts List and Exploded View Kit Number: 530-01-155500 (500 Gal)

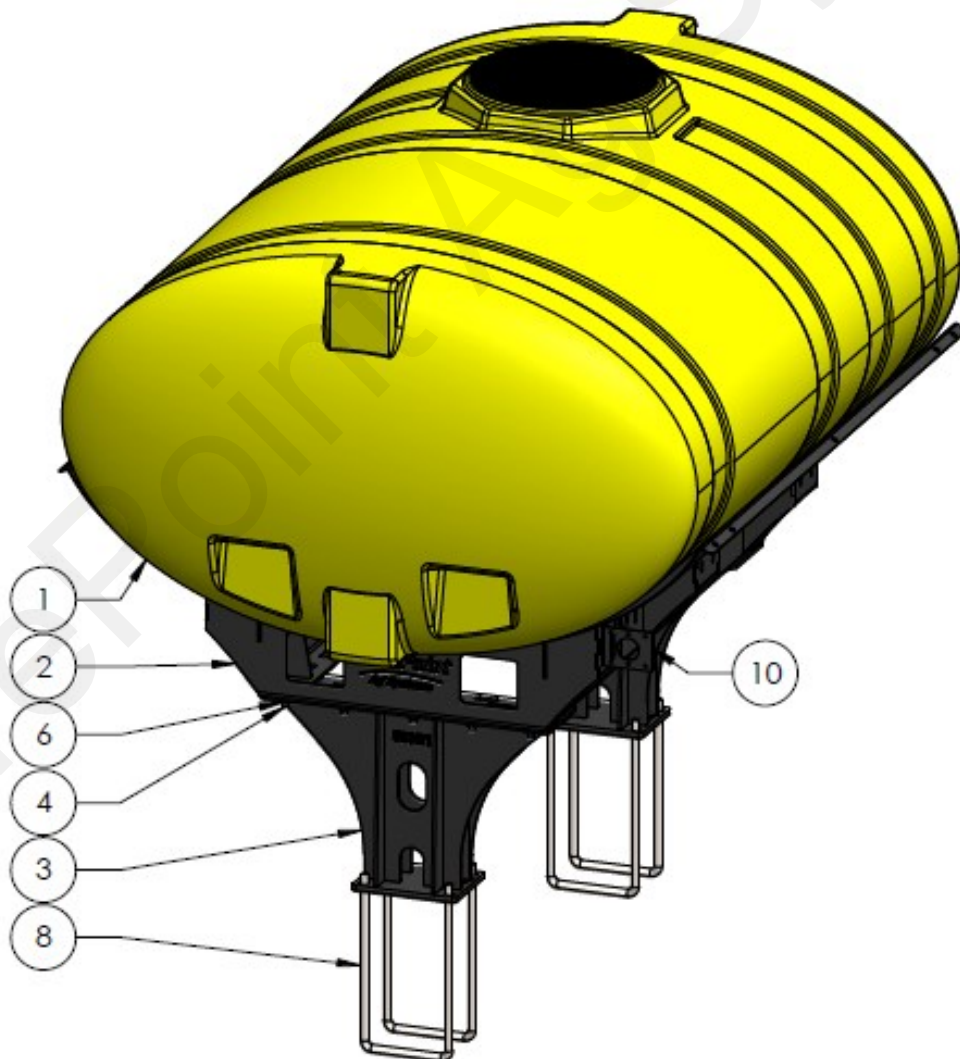
ITEM NO.	PART NUMBER	DESCRIPTION	QTY.
1	727-01-HE0500-57-CS-Y	500 Gallon Elliptical Tank	1
2	421-5638Y1-BK	500 Gallon Elliptical Tank Cradle	1
3	421-5704Y1-BK	22" Tank Pedestal	2
4	307-100108-5	5/8" x 1-1/2" Flange Head Bolt - G5	14
5	300-060012-5	3/8" x 3/4" Hex Head Bolt - G5	2
6	325-10	5/8" Top Lock Flange Nut	14
7	323-06	3/8" Serrated Flange Nut	2
8	380-1067	3/4" U-bolt Kit - fits 8" x 16" tube	4
9	525-3000	Tank Straps, 3" Kit, 400-750 Gallon	3
10	422-2678Y1	Bracket for Vacuum Gauge on JD Planters	1
11	521-01-100255	John Deere CCS Gauge Extension Assembly	1





# Parts List and Exploded View Kit Number: 530-01-155550 (600 Gal)

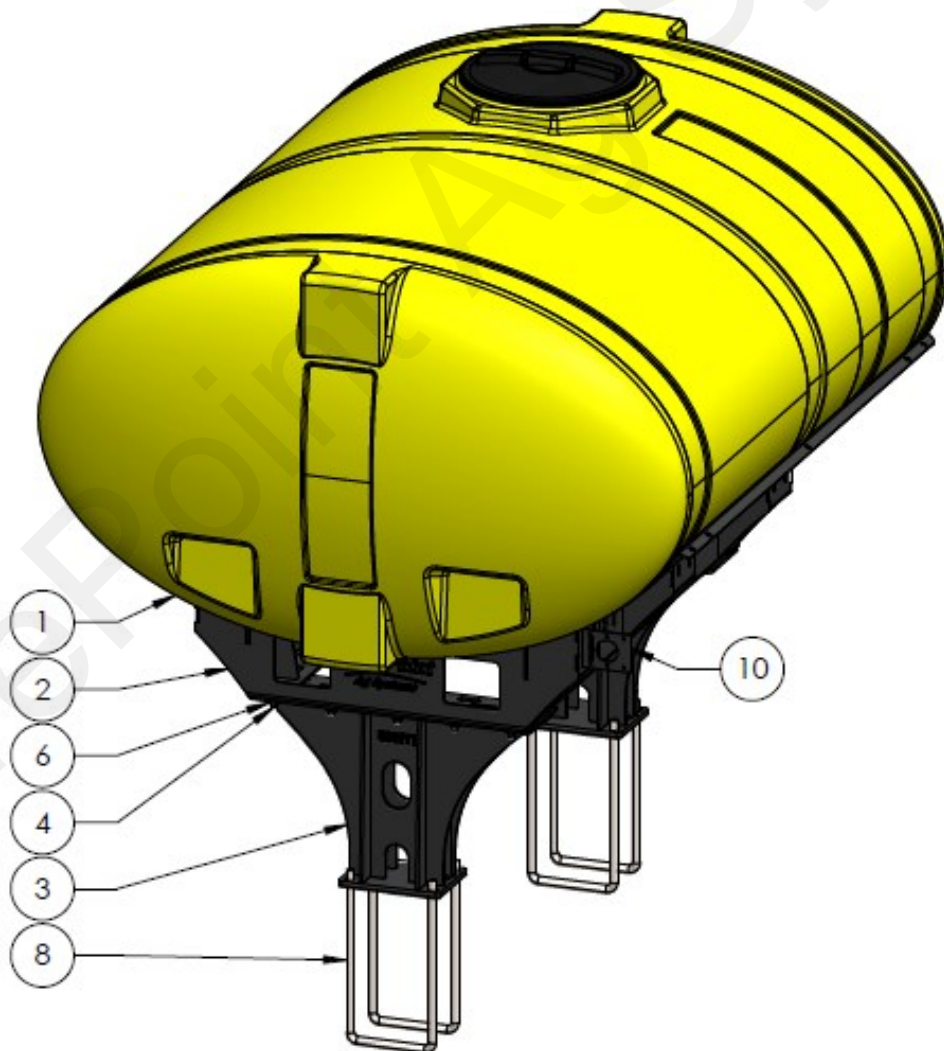
ITEM NO.	PART NUMBER	DESCRIPTION	QTY.
1	727-01-HE0600-64-CS-Y	600 Gallon Elliptical Tank	1
2	421-5321Y1-BK	600/750 Gallon Elliptical Tank Cradle	1
3	421-5331Y1-BK	18" Tank Pedestal	2
4	307-100108-5	5/8" x 1-1/2" Flange Head Bolt - G5	14
5	300-060012-5	3/8" x 3/4" Hex Head Bolt - G5	2
6	325-10	5/8" Top Lock Flange Nut	14
7	323-06	3/8" Serrated Flange Nut	2
8	380-1067	3/4" U-bolt Kit - fits 8" x 16" tube	4
9	525-3000	Tank Straps, 3" Kit, 400-750 Gallon	3
10	422-2678Y1	Bracket for Vacuum Gauge on JD Planters	1
11	521-01-100255	John Deere CCS Gauge Extension Assembly	1



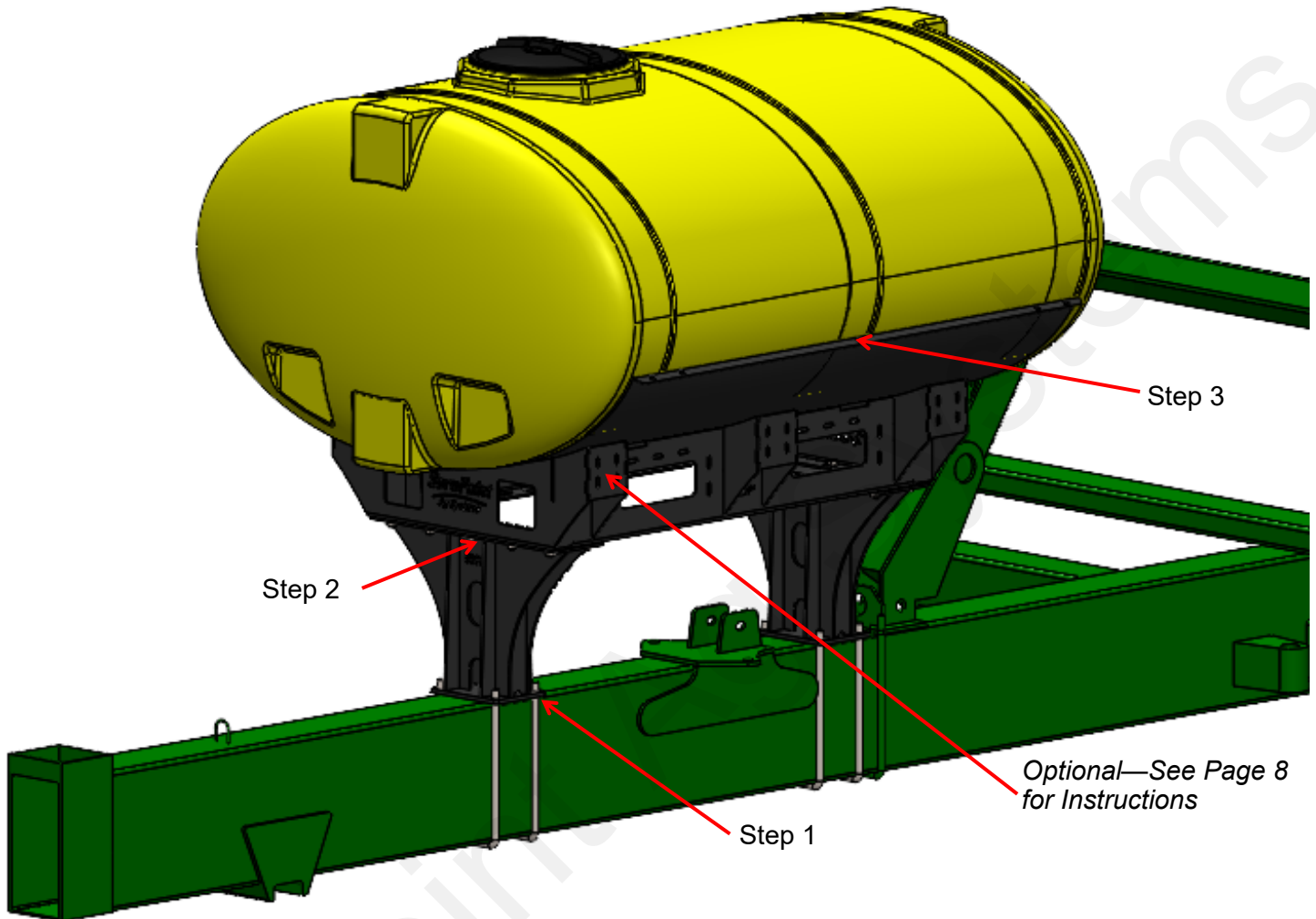


# Parts List and Exploded View Kit Number: 530-01-155600 (750 Gal)

ITEM NO.	PART NUMBER	DESCRIPTION	QTY.
1	727-01-HE0750-69-OS-Y	750 Gallon Elliptical Tank	1
2	421-5321Y1-BK	600/750 Gallon Elliptical Tank Cradle	1
3	421-5331Y1-BK	18" Tank Pedestal	2
4	307-100108-5	5/8" x 1-1/2" Flange Head Bolt - G5	14
5	300-060012-5	3/8" x 3/4" Hex Head Bolt - G5	2
6	325-10	5/8" Top Lock Flange Nut	14
7	323-06	3/8" Serrated Flange Nut	2
8	380-1067	3/4" U-bolt Kit - fits 8" x 16" tube	4
9	525-3000	Tank Straps, 3" Kit, 400-750 Gallon	3
10	422-2678Y1	Bracket for Vacuum Gauge on JD Planters	1
11	521-01-100255	John Deere CCS Gauge Extension Assembly	1



# Step by Step Instructions



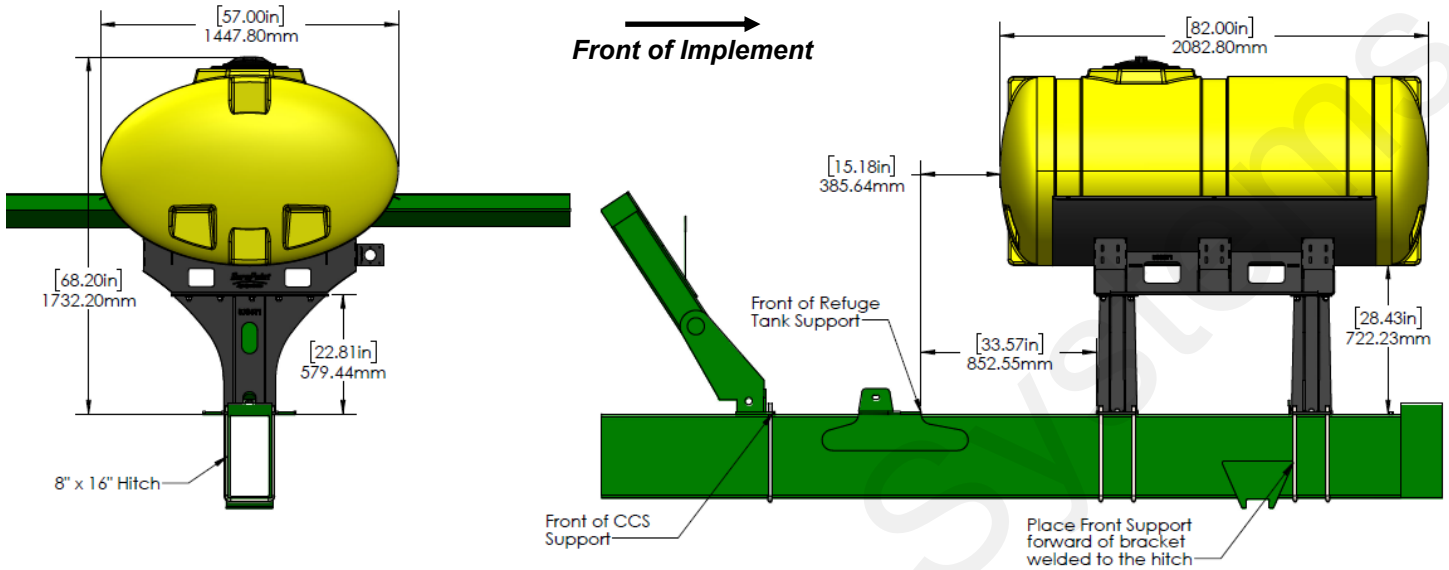
## **General Tank Mounting Instructions:**

*\*It is recommended to remove existing vacuum gauge prior to tank installation and installation of new vacuum gauge bracket. See Page 9 for further instructions.*

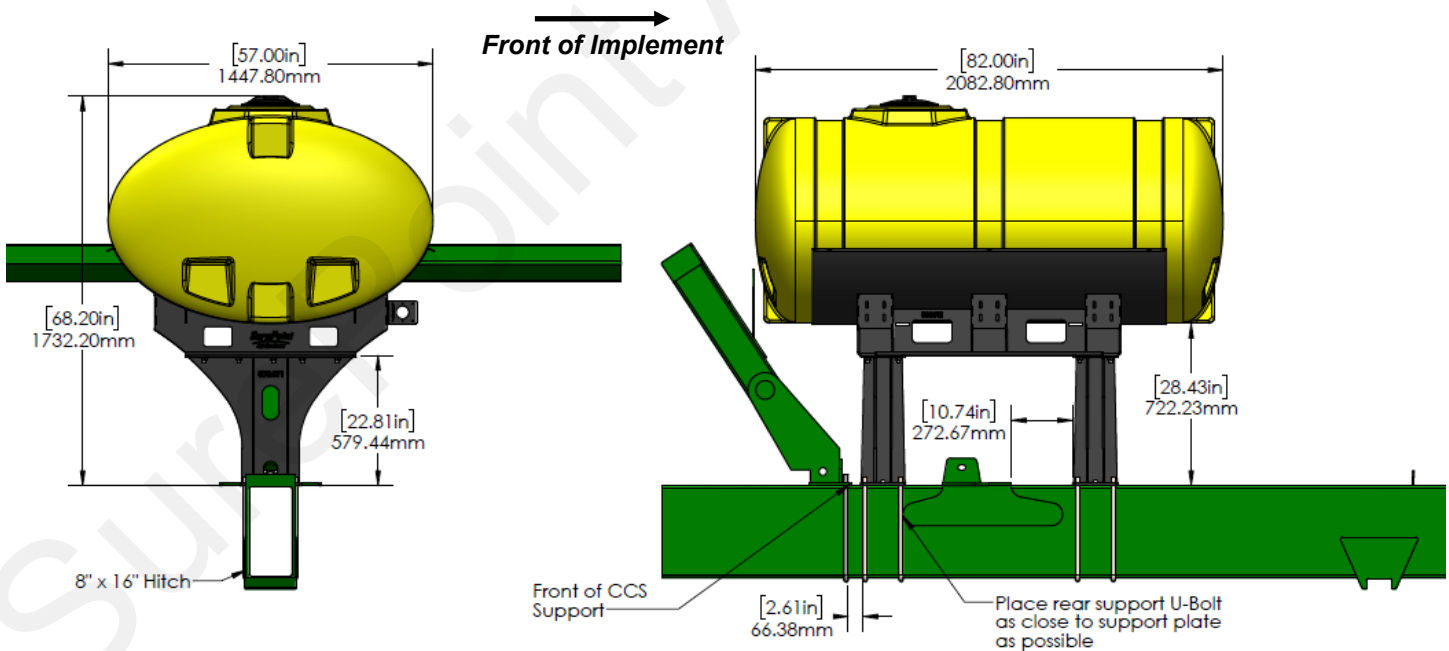
1. Position support stands per planter model on the following drawings. Loosely attach support stand with 3/4" u-bolts.
2. Place tank cradle on support stands. Bolt loosely with 5/8" bolts. *(Tip: All tank cradles can be mounted with sump forward or rearward.)*
3. Install tank and secure with straps. *(This step may have already been completed)*
4. Inspect tank and tank brackets for interference and tighten all bolts.
5. Tighten straps again after the tank has been filled.

**NOTE: REFER TO THE FOLLOWING PAGES FOR SPECIFIC INSTALLATION GUIDES.**

# 500 Gallon Tank Installation Guide



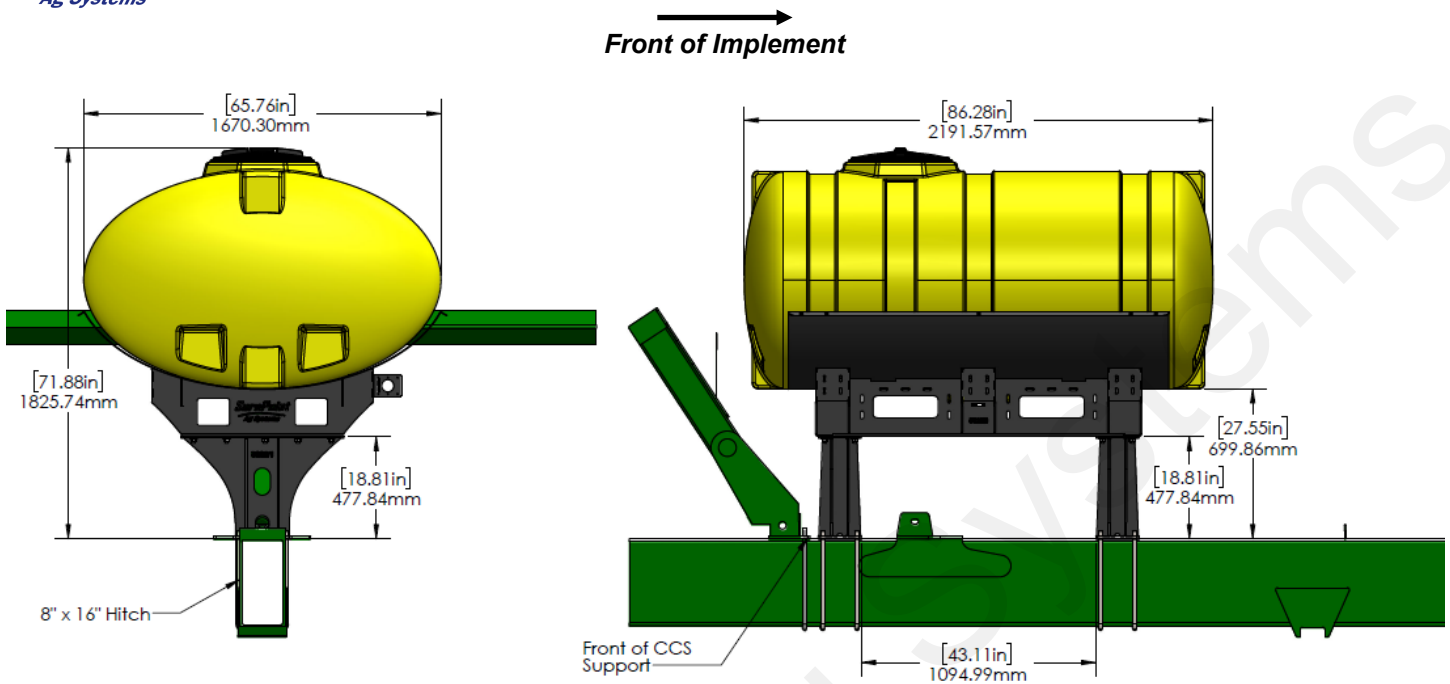
## JD1770NT 24R30 -With Refuge Tank, No markers



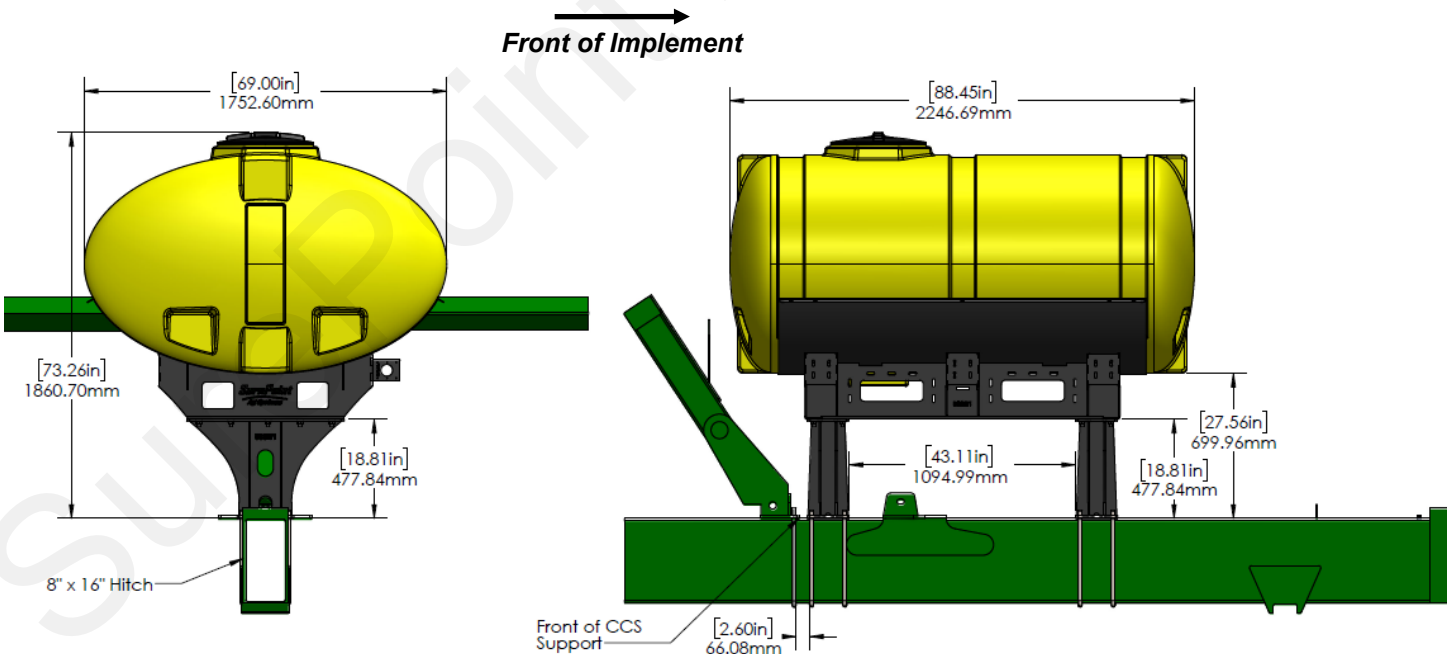
## JD1770NT 24R30 -NO Refuge Tank, w/ or w/o markers



# 600 / 750 Gallon Tank Installation Guide



## JD1770NT 24R30 - 600 Gallon -NO Refuge Tank, w/ or w/o markers



## JD1770NT 24R30 - 750 Gallon -NO Refuge Tank, w/ or w/o markers





# Optional Vacuum Gauge Bracket Installation Instructions

*The CCS vacuum gauge must be moved so it can be seen with the tank installed.*

## Instructions:

1. Remove gauge from current mount (easiest before tank is installed)
2. Mount 422-2678Y1 gauge bracket to tank cradle using 3/8" bolts and flange nuts.
3. Extend vacuum hose to new gauge location using 1/4" hose mender and 3/8" OD poly tubing, Part Number 521-00-100255.
4. Mount vacuum gauge to new bracket using existing hardware.

