



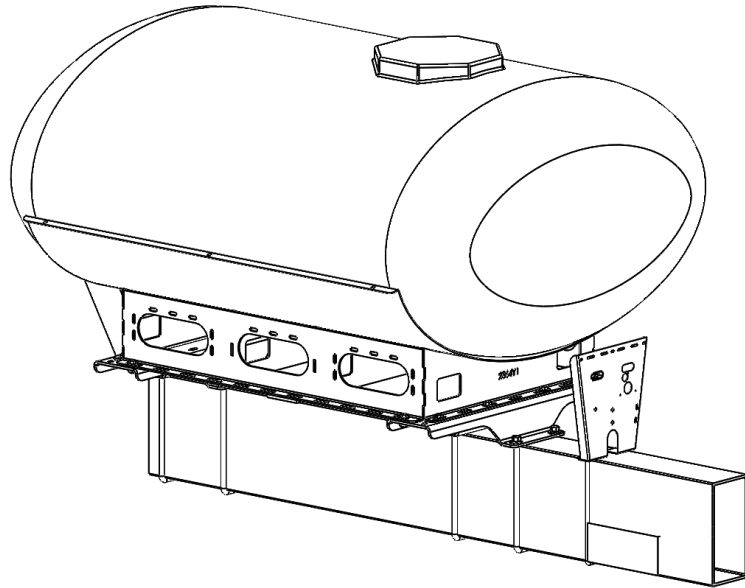
# 396-001790

## John Deere DB Planter 750 Gallon Hitch Mount Tank Instructions

**Planter Manufacturer: John Deere**

Kit Includes	
Item	Quantity
Tank	1
Cradle	1
Stand (421-2132Y1-G)	2
3" Tank Strap Kit	3
3/4" U-Bolts	4
3/4" Flat Washer	8
3/4" Lock Washer	8
3/4" Nuts	8
5/8" x 1-1/2" Bolt	18
5/8" Flat Washer	18
5/8" Flange Nut	18
Vacuum Gauge/Flow Indicator Bracket (400-1315A2-G)	1
1/2" U-Bolt	1
1/2" Flange Nut	2
1/4" HB Mender	1
3/8" OD Poly Tubing	15 ft

**Kit Number: 530-01-450600**



### General Instructions:

1. Position support stands and attach loosely with 3/4" U-Bolts.
2. Place tank cradle on stands. Cradle can be mounted with sump forward or rearward. Bolt loosely in place with 5/8" bolts.
3. Inspect for interference, then tighten bolts.
4. Mount vacuum gauge bracket in front of tank on hitch. Move vacuum gauge to new bracket and extend hose.
5. Install tank and secure with straps.

## Vacuum Gauge Bracket, optional flow indicator mount

The CCS vacuum gauge must be moved so it can be seen with the tank installed.

1. Remove gauge from current mount (easiest before tank is installed)
2. Mount bracket to hitch with 1/2" U-Bolt (after mounting tank)
3. Extend vacuum hose to new gauge location using 1/4" hose mender and 3/8" OD poly tubing.
4. Mount vacuum gauge using existing hardware.
5. Optionally, you can move the switch and hydraulic valve also.
6. The same bracket can also be used to mount flow indicators.

Bracket also can be used to mount flow indicators. White backer plates optional for improved visibility.

White plate item numbers:

400-2010A1 Large (12 row)

400-2011A1 Small (6 row)

Switch mounts here (optional). Requires 10' 2-pin weather pack extension harness.

1/2" U-bolt to 8" x 16" hitch

