



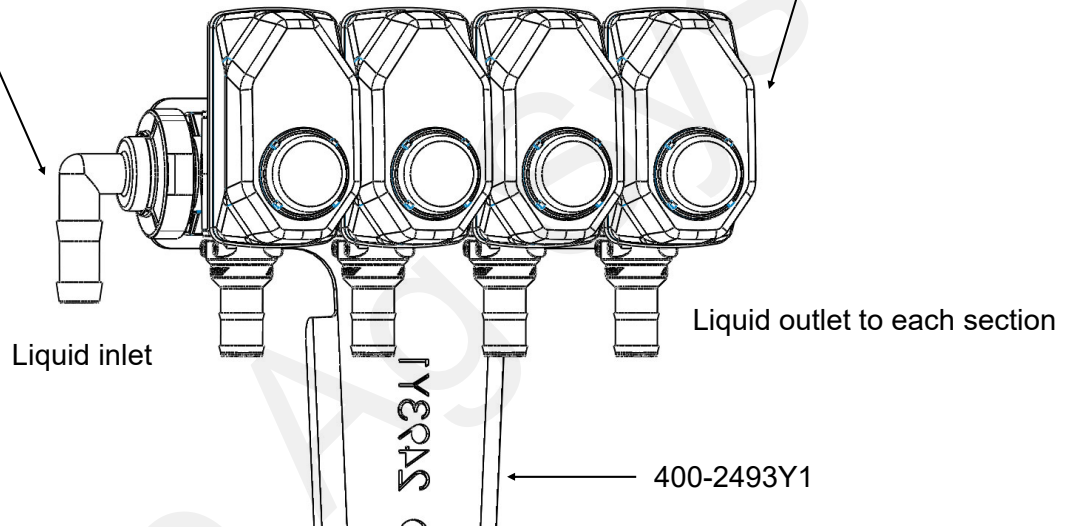
396-001760

KZ TX2 Section Valve Kits and Mounting Brackets

Note: Ensure back-side port is capped prior to use

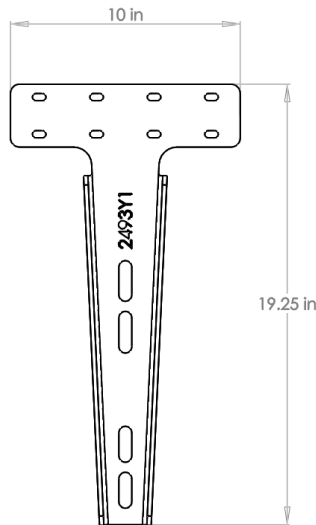
105-100PLG (alternate 105-100PLG025 includes 1/4" pipe thread for gauge)

105-100075BRB90



All kits come with:

- 3/4" inlet hose barb - straight and 90 deg
- 1" inlet hose barb - straight and 90 deg
- 3/4" outlet hose barb - straight and 90 deg
- 1" gaskets
- 1" manifold clamps
- 1" end caps
- mounting hardware



Wiring Connector:
 Pin A: Red, 12 Volts +
 Pin B: Black, Ground -
 Pin C: White, Signal
 12V=on ; 0V=off

Mounting Hardware:
 384-1100 2 Valve Bolt Kit (1/4")
 515-03-102200 Mounting Bracket Kit

Common Configurations:

- 520-00-040100 1 Valve
- 520-00-040200 2 Valve
- 520-00-040300 3 Valve
- 520-00-040400 4 Valve
- 520-00-040500 5 Valve
- 520-00-040600 6 Valve

(for other configurations, please mix and match the above part numbers)