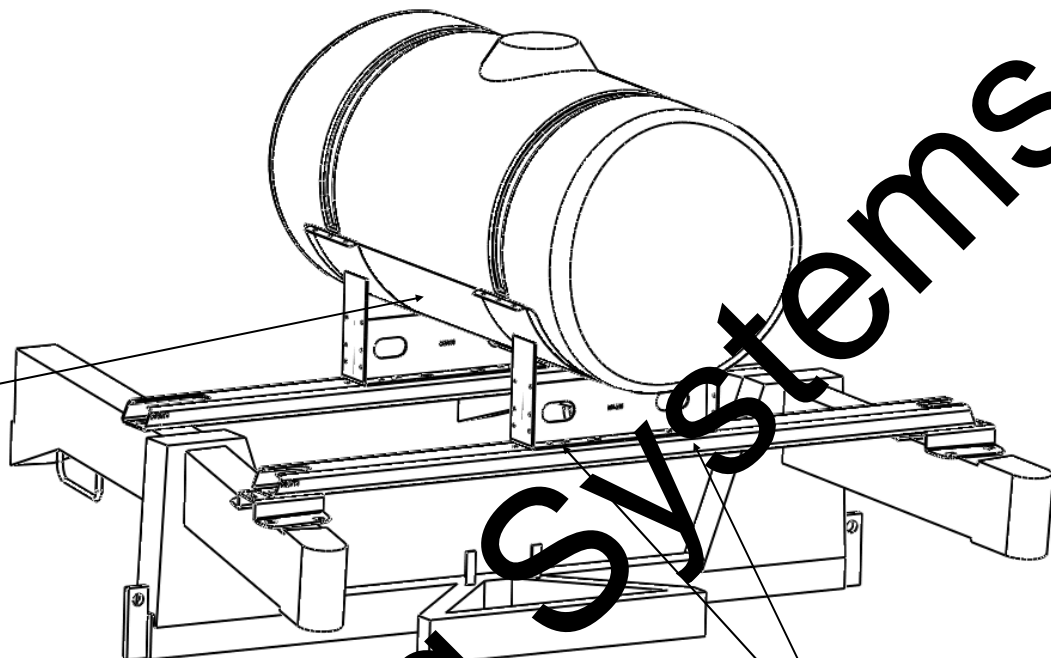


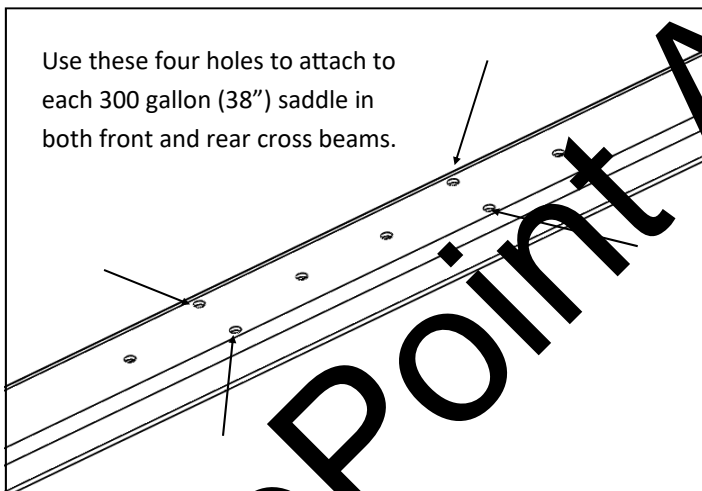
CaseIH 500/500T 25' & 30' Air Drill Tank Mount Details for 300 gallon horizontal tank



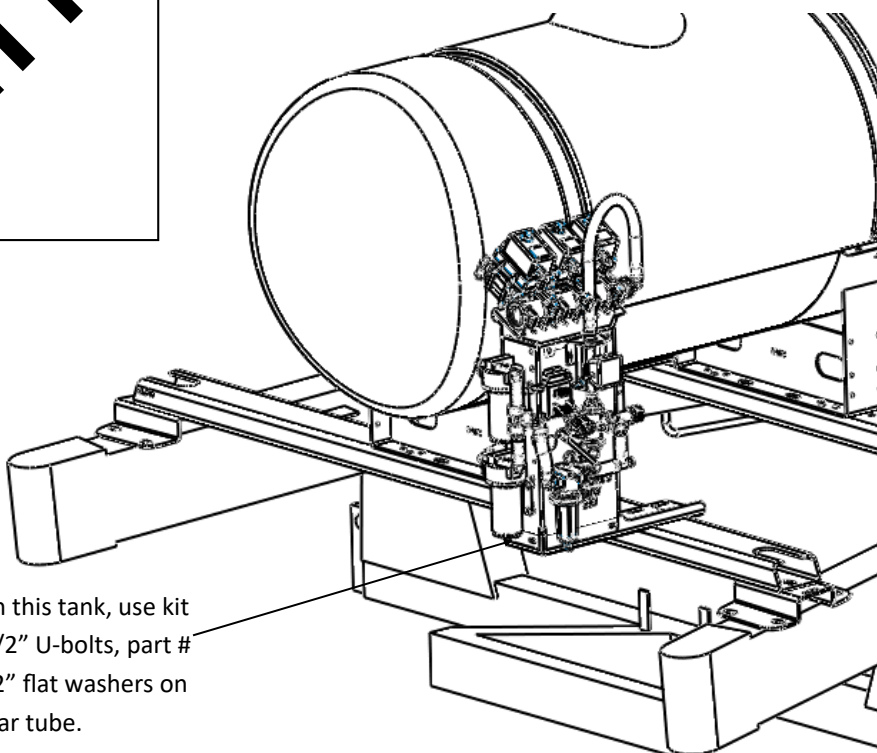
A rolled steel sheet is placed across both saddles under the tank to support the poly tank.



Use these four holes to attach to each 300 gallon (38") saddle in both front and rear cross beams.



Attach each 300 gallon saddle with four 5/8" x 5" bolts, in both front and rear cross beam. Recommend bolts pointing upward to avoid hitting exposed threads when working on drill underneath tank.



To mount a SurePoint Tower pump system with this tank, use kit # 511-1010 (direct to bar mount kit) and two 1/2" U-bolts, part # 380-1017. You will need to use a few extra 1/2" flat washers on the U-bolt to allow for the smaller 3" rectangular tube.

