



396-001600

SureFire Tank Saddles 32" Diameter 150 & 200 Gallon Round Tanks

-150 gallon and 200 gallon 32 inch round tanks are supported by 32" tank saddles. Two saddles are required for each tank. These tanks do not require an additional steel support sheet under the tank. Optionally, the saddles may be mounted on top of a pedestal bracket to raise the tank an additional 6", 16" or 22".

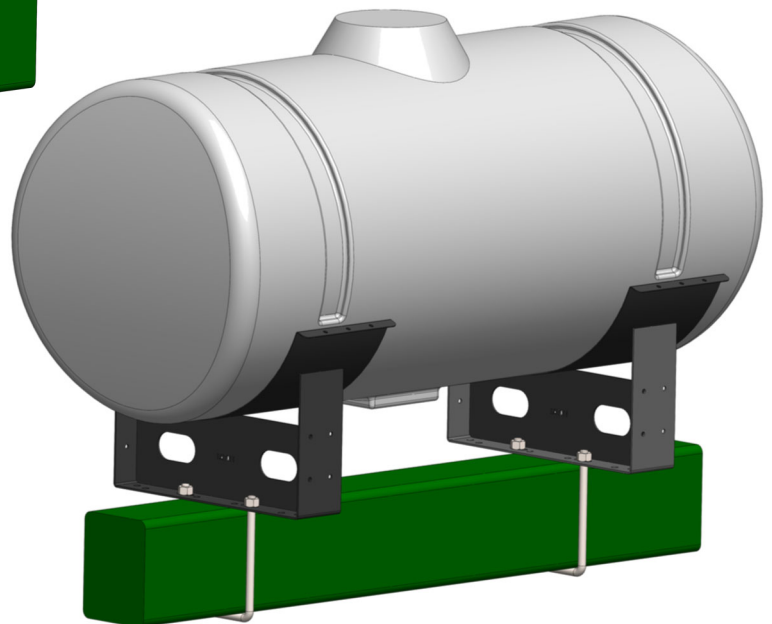
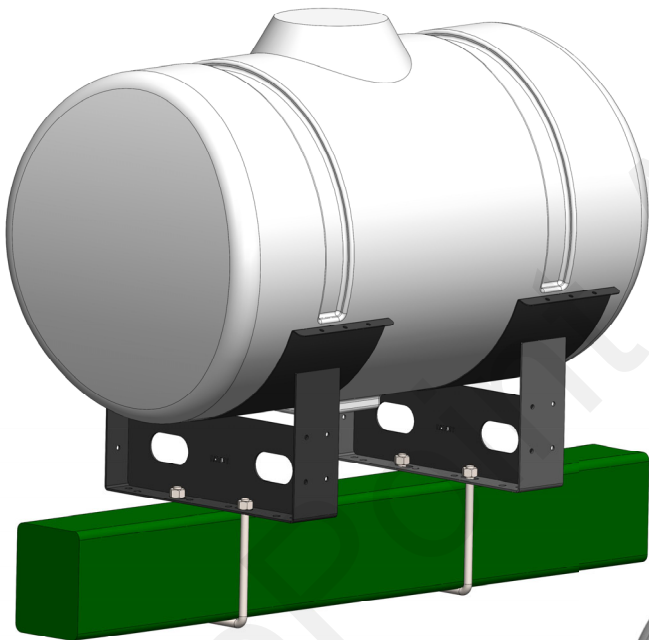
Kit Numbers:

530-00-150100—White 150 Gallon Tank Kit

530-00-150200—Yellow 150 Gallon Tank Kit

530-00-200100—White 200 Gallon Tank Kit

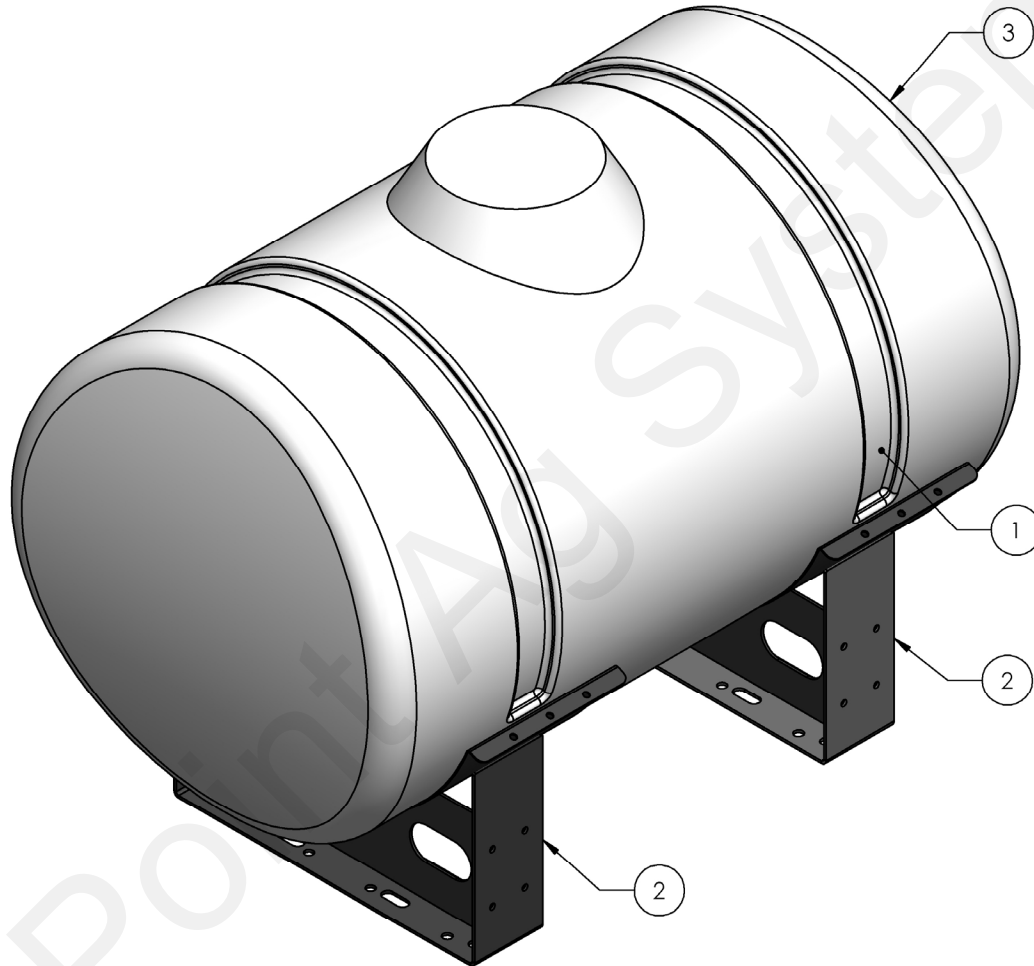
530-00-200200—Yellow 200 Gallon Tank Kit



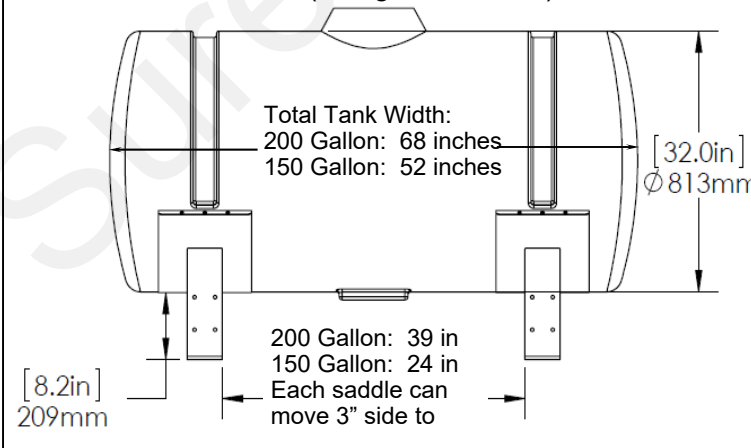


Parts List and Exploded View

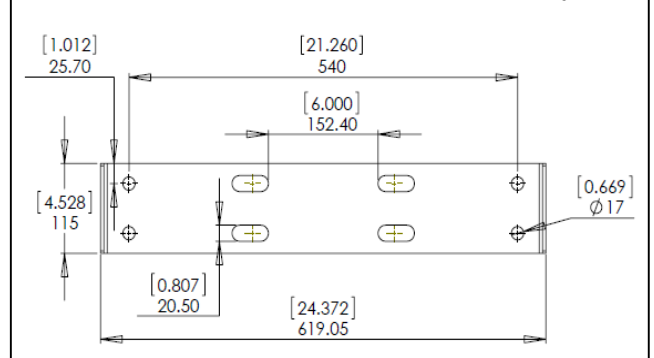
ITEM NO.	PART NUMBER	DESCRIPTION	QTY.
1	525-2055	2" Strap Kit	2
2	420-1107A1-BK/GN	Black/Green 32" Tank Saddle	2
3	727-02-xxxxxx	Horizontal Tank - 150 Gal - White/Yellow - 32"Ø	1



Tank Dimensions in Saddles - saddles may move side to side 3" either direction (200 gallon shown)



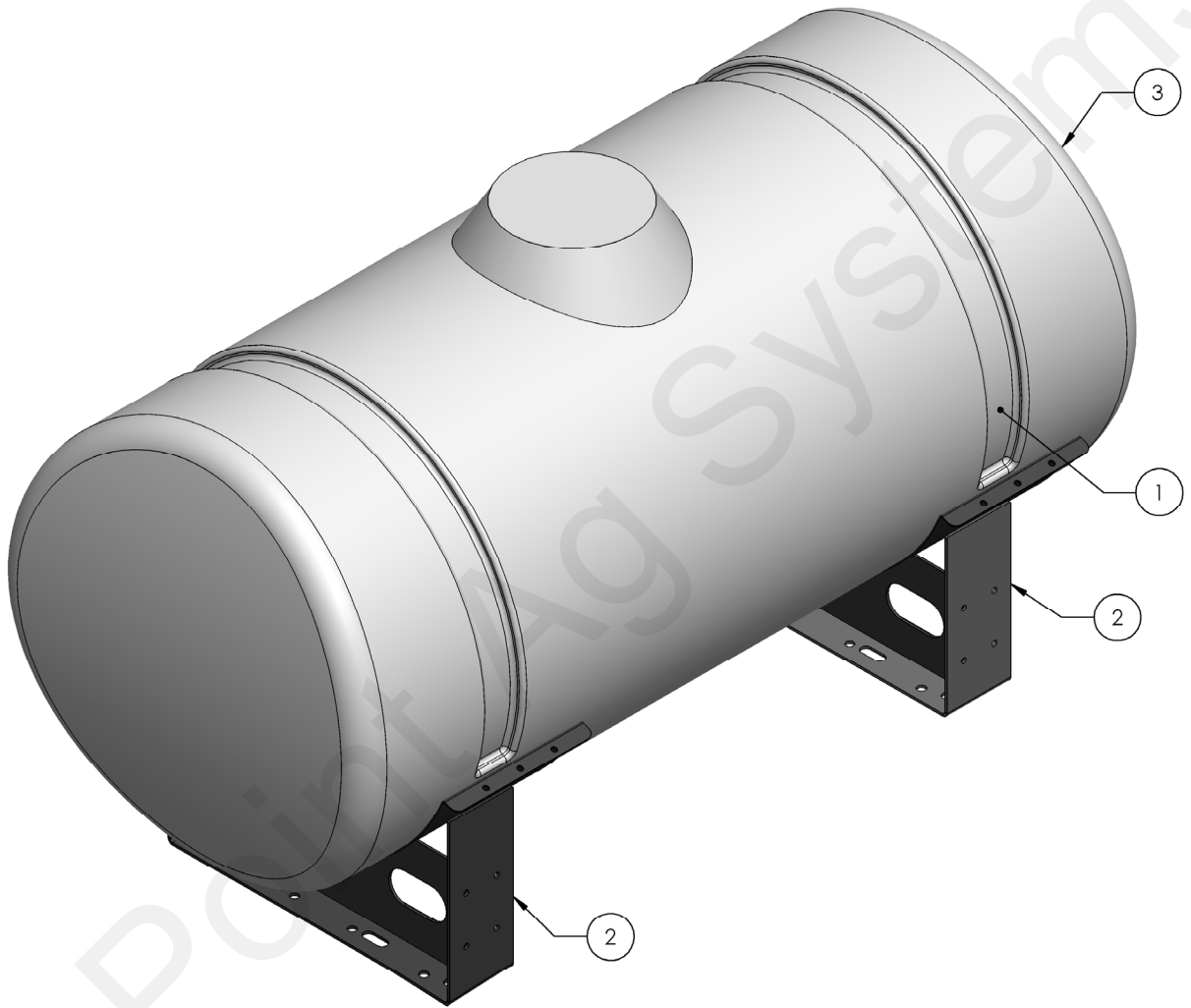
Saddle footprint with bolt holes.
 3/4" slots fit from 6" to 8" wide tube directly.



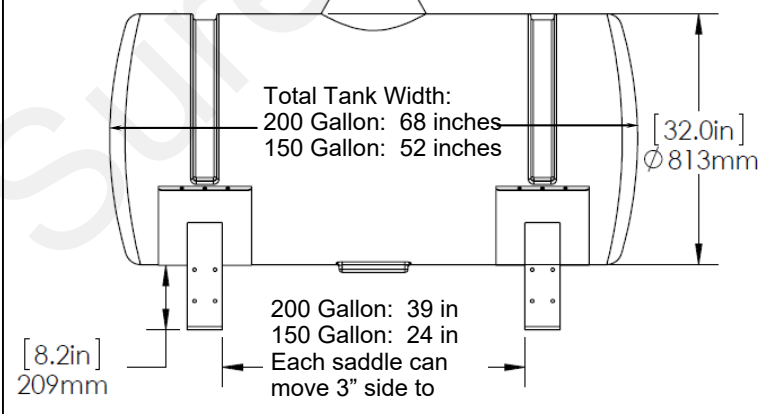


Parts List and Exploded View

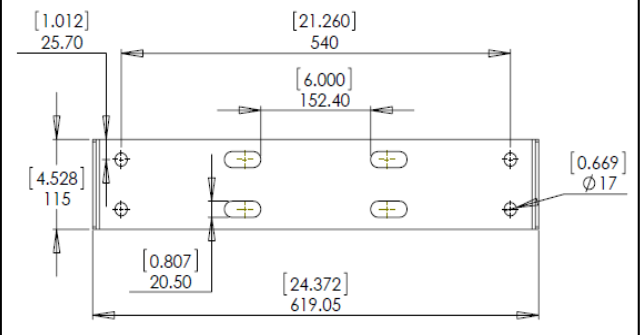
ITEM NO.	PART NUMBER	DESCRIPTION	QTY.
1	525-2055	2" Strap Kit	2
2	420-1107A1-BK/GN	Black/Green 32" Tank Saddle	2
3	727-02-xxxxxx	Horizontal Tank - 200 Gal - White/Yellow - 32"Ø	1



Tank Dimensions in Saddles - saddles may move side to side 3" either direction (200 gallon shown)



Saddle footprint with bolt holes. 3/4" slots fit from 6" to 8" wide tube directly.





Step by Step Instructions

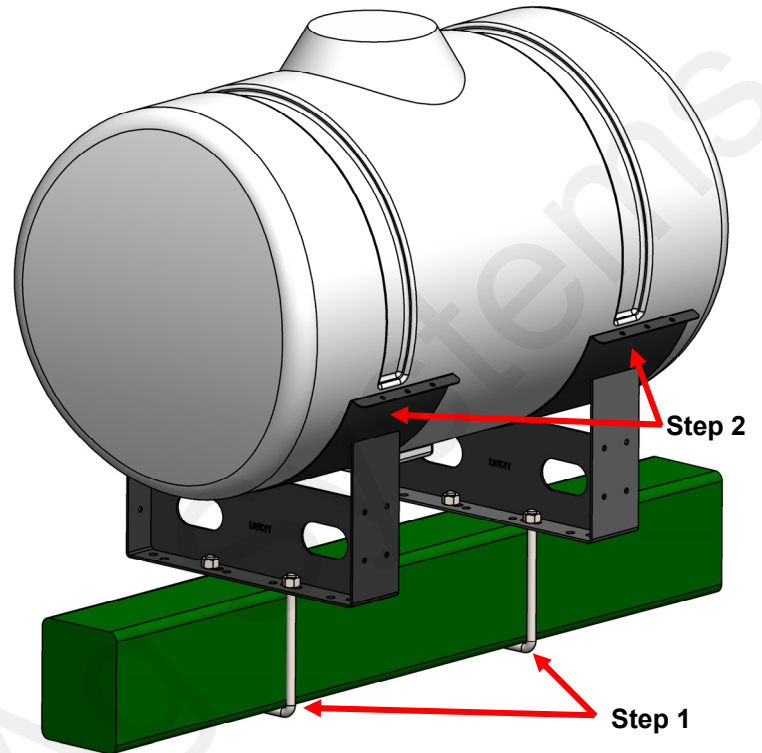
Tank Mounting Instructions:

Step 1: Loosely u-bolt each saddle to planter/ implement frame.

Step 2: Inspect tank and brackets for proper clearance and tighten all bolts.

Step 3: Set tank in saddles and strap tank in place.

NOTE: Please remember to tighten straps again once the tank has been filled.



Pedestal Mounting Instructions:

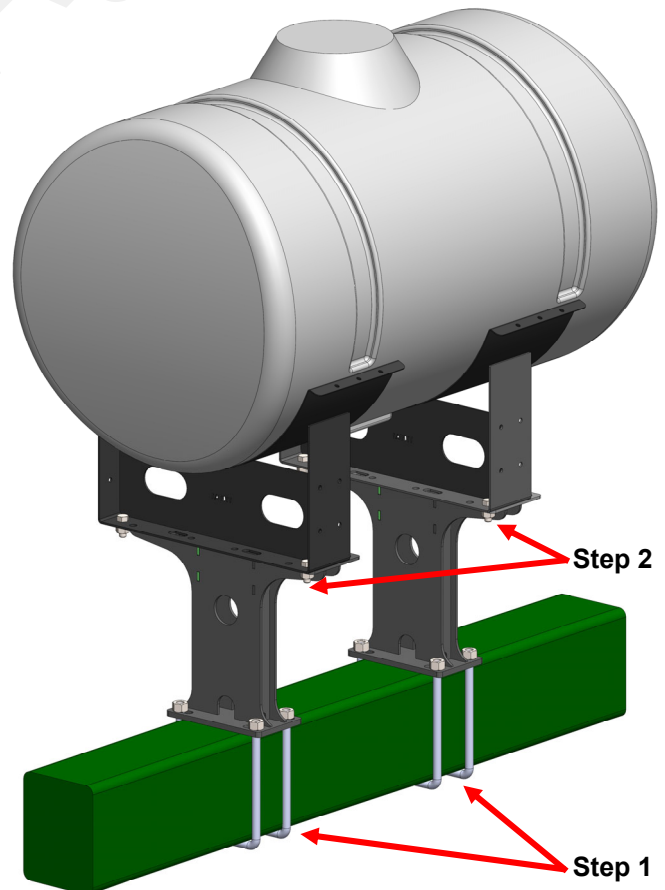
Step 1: Loosely U-bolt pedestal bracket to planter/implement frame.

Step 2: Attach each saddle to pedestal with quantity four 5/8" x 1" bolts, washer and flange nut (8 sets per tank).

Step 3: Inspect tank and brackets for proper clearance and tighten all bolts.

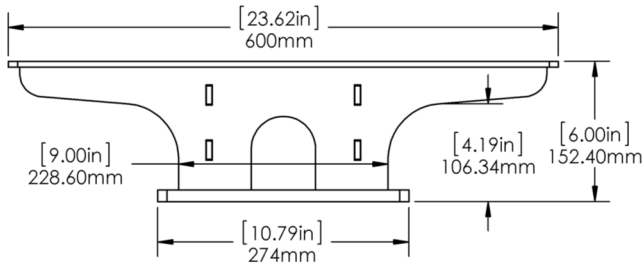
Step 4: Set tank in saddles and strap tank in place.

NOTE: Please remember to tighten straps again once the tank has been filled.

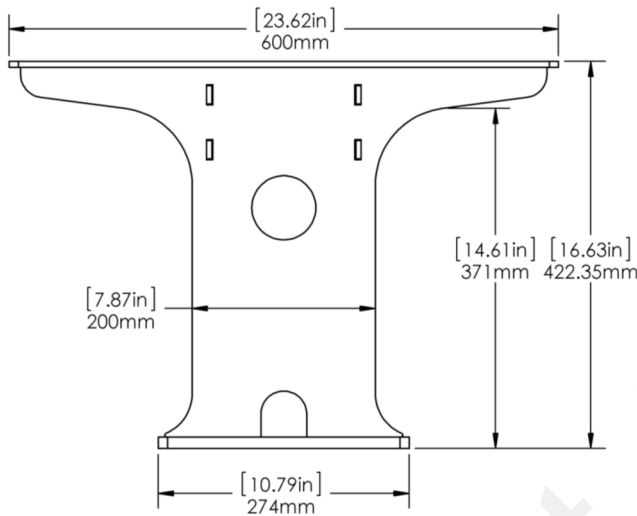




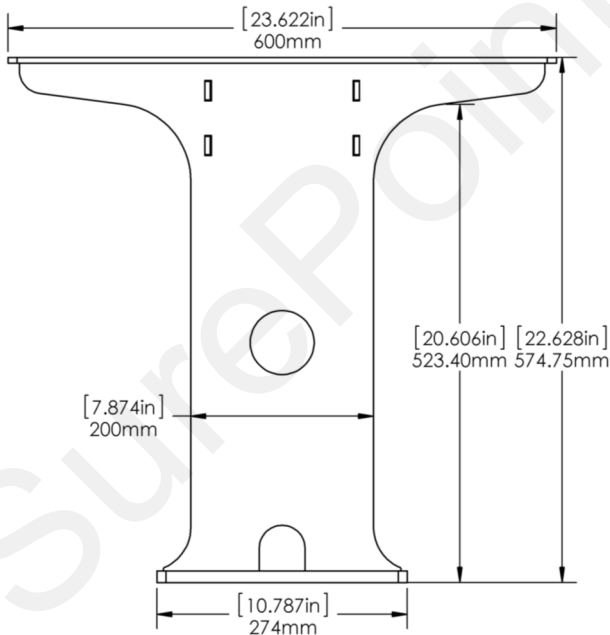
Optional Items that may be suggested for this equipment .



Kit Description:
6" Pedestal Kit for Saddles
Kit Numbers:
526-02-200275 (Black)
526-02-200280 (Green)



Kit Description:
16" Pedestal Kit for Saddles
Kit Numbers:
526-02-200300 (Black)
526-02-200305 (Green)



Kit Description:
22-5/8" Pedestal Kit for Saddles
Kit Numbers:
526-02-200350 (Black)
526-02-200355 (Green)