



# 396-001400

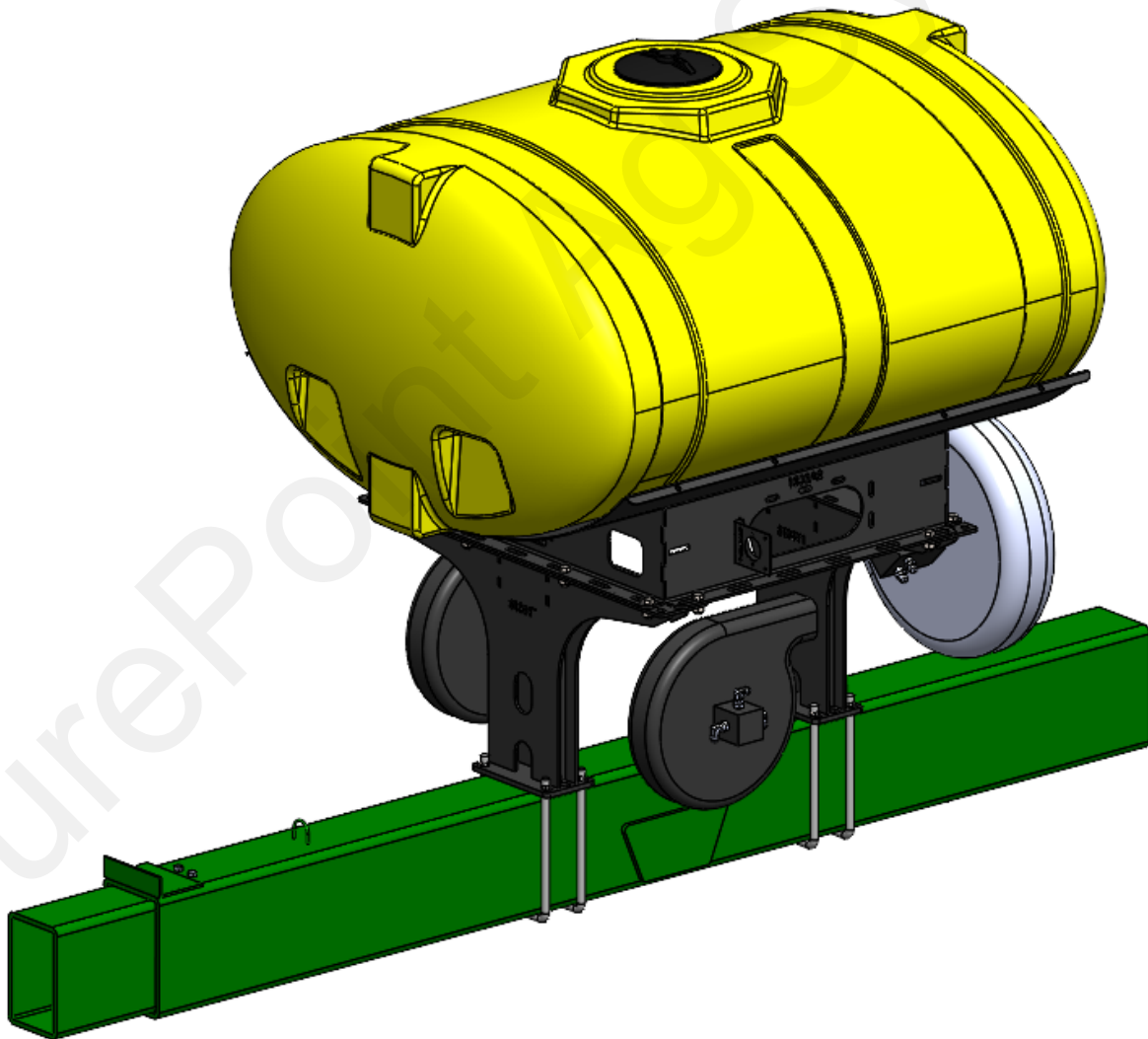
## John Deere 1790/1795, 40 Foot, Hitch Mount Tank Instructions

### Kit Number:

530-01-350500: 400 Gallon Elliptical Tank Kit

530-01-350700: 500 Gallon Elliptical Tank Kit

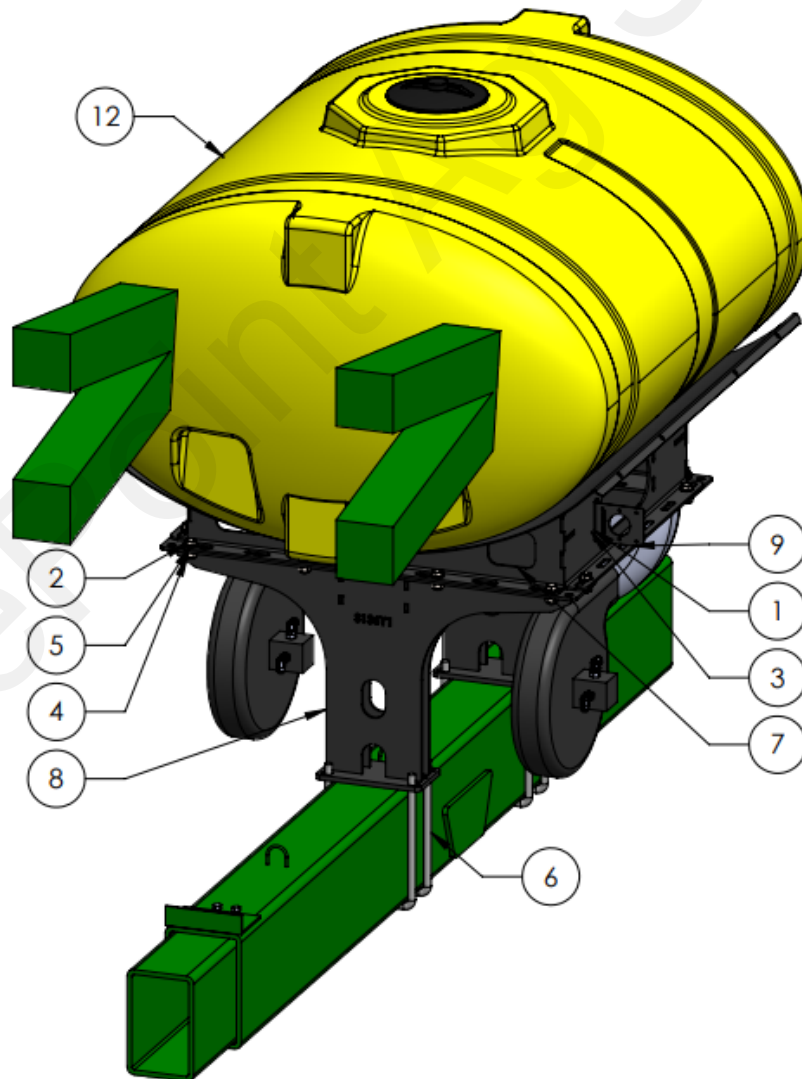
530-01-350800: 600 Gallon Elliptical Tank Kit





# Parts List and Exploded View Kit Number: 530-01-350500 (400 Gal)

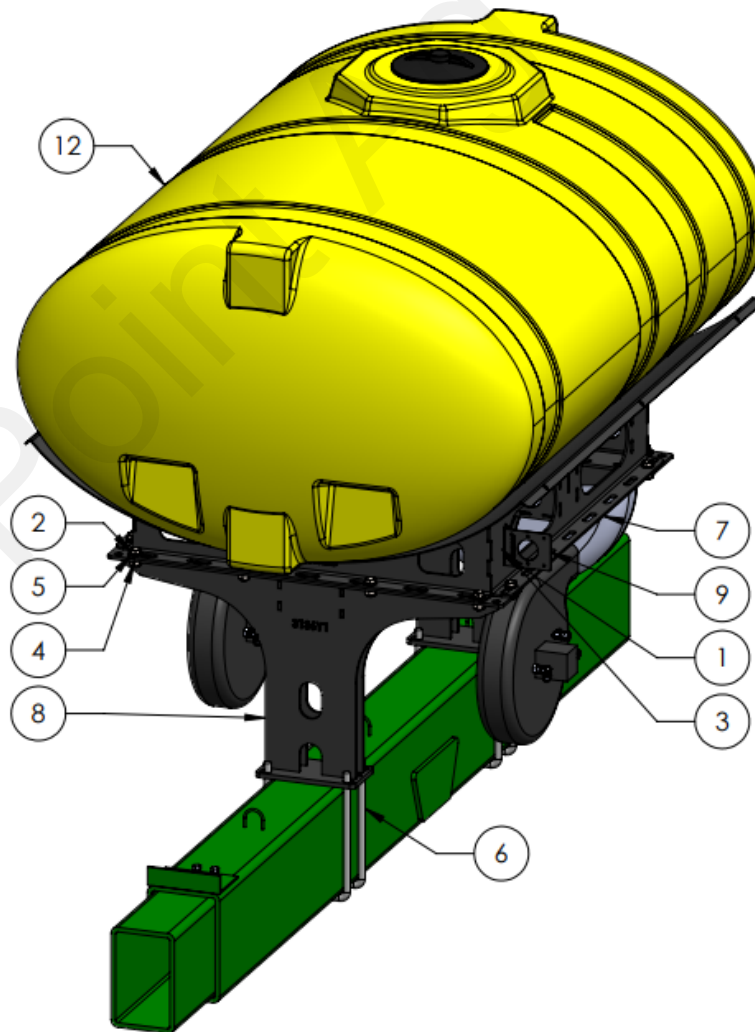
ITEM NO.	PART NUMBER	DESCRIPTION	QTY.
1	300-060012-5	3/8" x 3/4" Hex Head Bolt - G5	2
2	300-100108-5	5/8" x 1-1/2" Hex Head Bolt - G5	12
3	323-06	3/8" Flange Nut	2
4	323-10	5/8" Flange Nut	12
5	330-10	5/8" Flat Washer	12
6	380-1066	3/4" U-bolt Kit - fits 8" x 12" tube	4
7	421-1333A2	400 Gallon Elliptical Cradle	1
8	421-3136Y1	22" JD Hitch Mount Pedestal	2
9	422-2678Y1	Bracket for Vacuum Gauge on JD Planters	1
10	521-00-100255	John Deere CCS Gauge Extension Assembly	1
11	525-3000	3" Tank Strap Kit for 400-1000 Gallon	2
12	727-01-HE0400-57-Y	Elliptical Tank - 400 Gal - Yellow	1
13	396-001400	John Deere 1790/1795 40 foot Hitch Mount Tank Instructions	1





# Parts List and Exploded View Kit Number: 530-01-350700 (500 Gal)

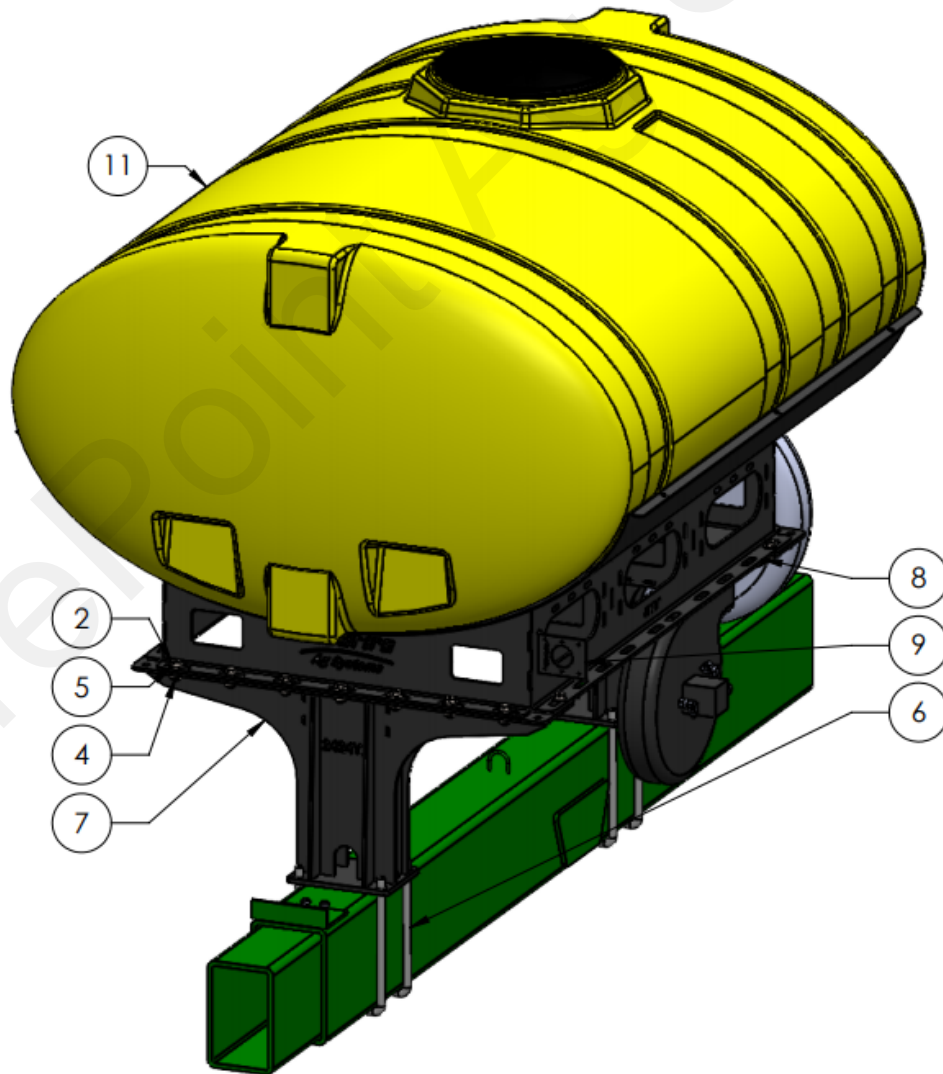
ITEM NO.	PART NUMBER	DESCRIPTION	QTY.
1	300-060012-5	3/8" x 3/4" Hex Head Bolt - G5	2
2	300-100108-5	5/8" x 1-1/2" Hex Head Bolt - G5	12
3	323-06	3/8" Flange Nut	2
4	323-10	5/8" Flange Nut	12
5	330-10	5/8" Flat Washer	12
6	380-1066	3/4" U-bolt Kit - fits 8" x 12" tube	4
7	421-1329A2	500 Gallon Elliptical Cradle	1
8	421-3136Y1	22" JD Hitch Mount Pedestal	2
9	422-2678Y1	Bracket for Vacuum Gauge on JD Planters	1
10	521-00-100255	John Deere CCS Gauge Extension Assembly	1
11	525-3000	3" Tank Strap Kit for 400-1000 Gallon	3
12	727-01-HE0500-57-OS-Y	Elliptical Tank - 500 Gal - Yellow	1
13	396-001400	John Deere 1790/1795 40 foot Hitch Mount Tank Instructions	1



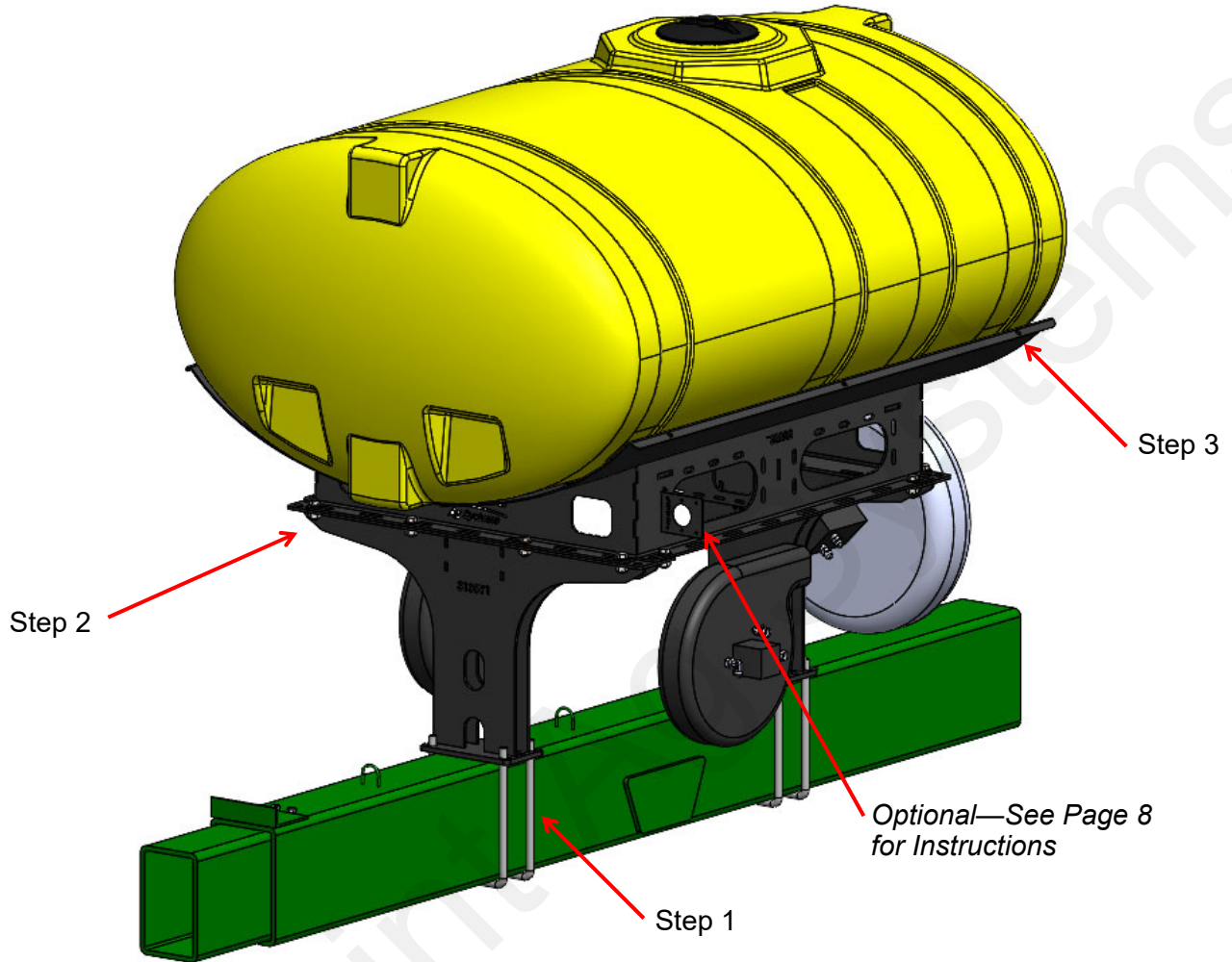


# Parts List and Exploded View Kit Number: 530-01-350800 (600 Gal)

ITEM NO.	PART NUMBER	DESCRIPTION	QTY.
1	300-060012-5	3/8" x 3/4" Hex Head Bolt - G5	2
2	300-100108-5	5/8" x 1-1/2" Hex Head Bolt - G5	18
3	323-06	3/8" Flange Nut	2
4	323-10	5/8" Flange Nut	18
5	330-10	5/8" Flat Washer	18
6	380-1066	3/4" U-bolt Kit - fits 8" x 12" tube	4
7	421-2424Y2	20" 600-750 Gallon Tank Pedestal	2
8	421-4105Y1	600 Gallon Elliptical Cradle	1
9	422-2678Y1	Bracket for Vacuum Gauge on JD Planters	1
10	525-750	3" 600/750 Gallon Tank Strap Kit	1
11	727-01-HE0600-64-CS-Y	Elliptical Tank - 600 Gal - Yellow - Center Sump	1
12	396-001400	John Deere 1790/1795 40 foot Hitch Mount Tank Instructions	1



# Step by Step Instructions



## **General Tank Mounting Instructions:**

*\*It is recommended to remove existing vacuum gauge prior to tank installation and installation of new vacuum gauge bracket. See Page 6 for further instructions.*

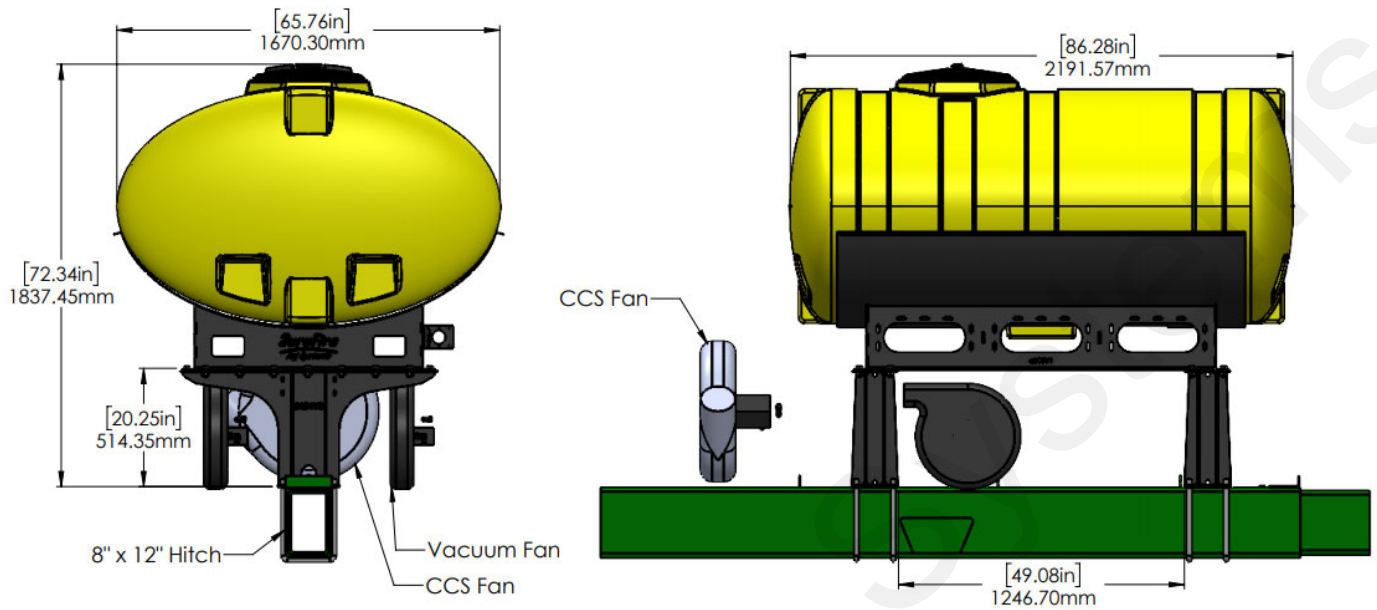
1. Position support stands per planter model on the following drawings. Loosely attach support stand with 3/4" u-bolts.
2. Place tank cradle on support stands. Bolt loosely with 5/8" bolts. *(Tip: 500 gallon tank cradle can be mounted with sump forward or rearward.)*
3. Install tank and secure with straps. *(This step may have already been completed)*
4. Inspect tank and tank brackets for interference and tighten all bolts.
5. Tighten straps again after the tank has been filled.

**NOTE: REFER TO THE FOLLOWING PAGES FOR SPECIFIC INSTALLATION GUIDES.**





# Tank Installation Guide



**600 Gallon on JD 1790/1995 16R32 or 16R31  
-NO Refuge Tank, NO markers\***

**\*Use with markers will require hydraulic cylinder stops**



# Optional Vacuum Gauge Bracket Installation Instructions

**The CCS vacuum gauge must be moved so it can be seen with the tank installed.**

**Instructions:**

1. Mount 422-2678Y1 gauge bracket to the front of the tank cradle using 3/8" bolts and flange nuts. (Shown Below)
2. Remove gauge from current mount and mount vacuum gauge to new bracket using existing hardware.
3. Use 1/4" hose mender and 3/8" OD poly tubing (P/N 521-00-100255) to extend vacuum tubing to relocated vacuum gauge.

