



396-001400

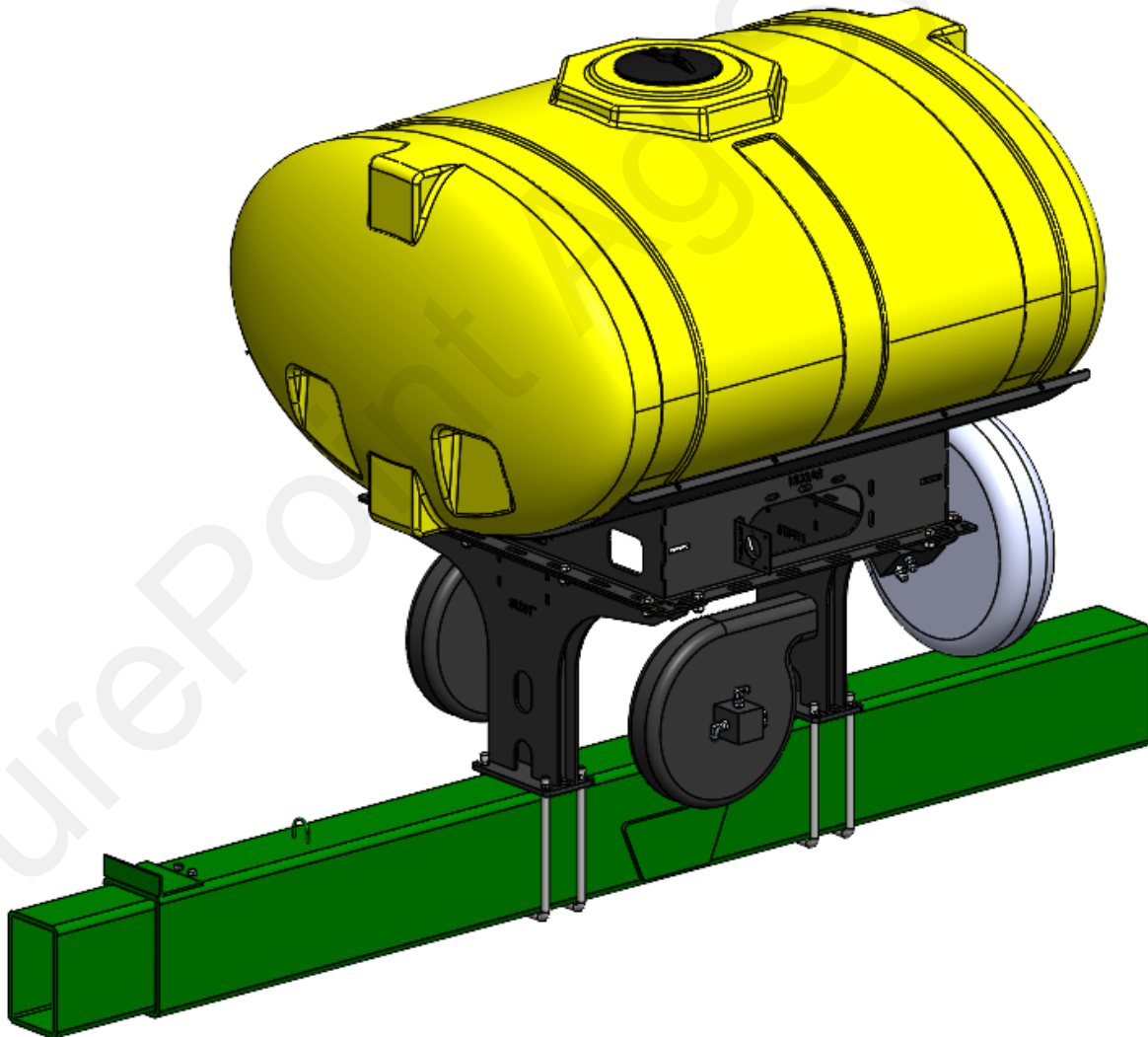
John Deere 1790/1795, 40 Foot, Hitch Mount Tank Instructions

Kit Number:

530-01-350500: 400 Gallon Elliptical Tank Kit

530-01-355700: 500 Gallon Elliptical Tank Kit

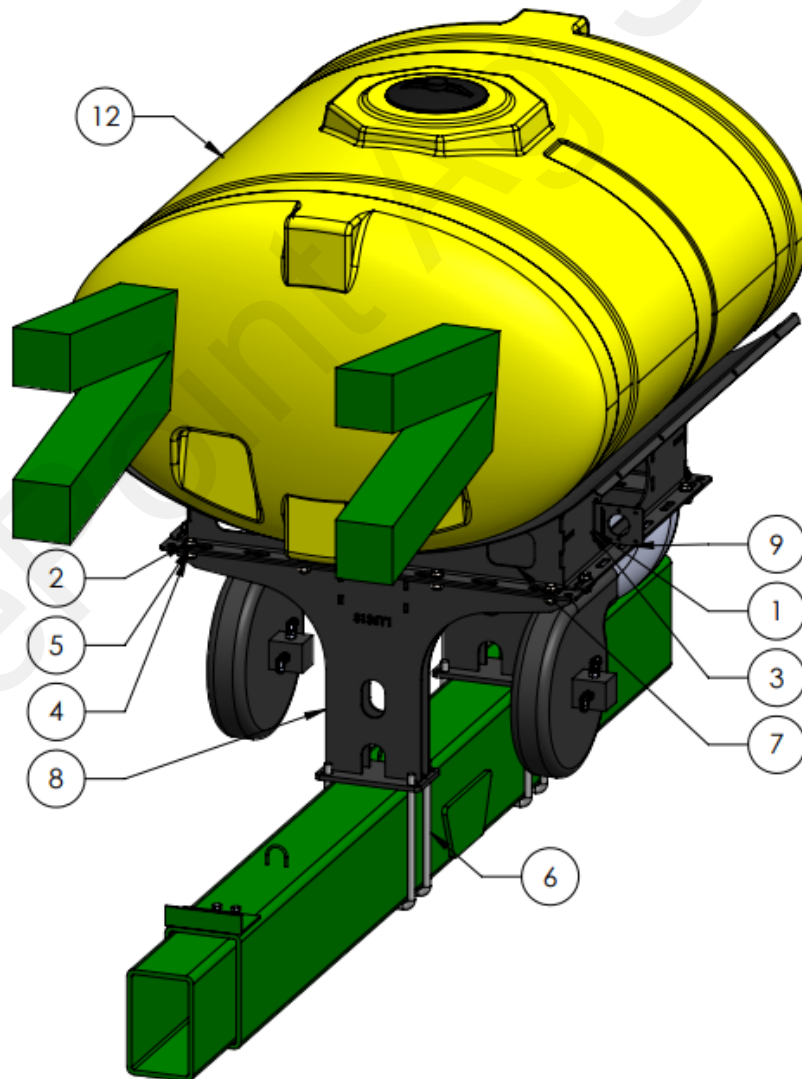
530-01-355800: 600 Gallon Elliptical Tank Kit





Parts List and Exploded View Kit Number: 530-01-350500 (400 Gal)

| ITEM NO. | PART NUMBER | DESCRIPTION | QTY. |
|----------|--------------------|--|------|
| 1 | 300-060012-5 | 3/8" x 3/4" Hex Head Bolt - G5 | 2 |
| 2 | 300-100108-5 | 5/8" x 1-1/2" Hex Head Bolt - G5 | 12 |
| 3 | 323-06 | 3/8" Flange Nut | 2 |
| 4 | 323-10 | 5/8" Flange Nut | 12 |
| 5 | 330-10 | 5/8" Flat Washer | 12 |
| 6 | 380-1066 | 3/4" U-bolt Kit - fits 8" x 12" tube | 4 |
| 7 | 421-1333A2 | 400 Gallon Elliptical Cradle | 1 |
| 8 | 421-3136Y1 | 22" JD Hitch Mount Pedestal | 2 |
| 9 | 422-2678Y1 | Bracket for Vacuum Gauge on JD Planters | 1 |
| 10 | 521-00-100255 | John Deere CCS Gauge Extension Assembly | 1 |
| 11 | 525-3000 | 3" Tank Strap Kit for 400-1000 Gallon | 2 |
| 12 | 727-01-HE0400-57-Y | Elliptical Tank - 400 Gal - Yellow | 1 |
| 13 | 396-001400 | John Deere 1790/1795 40 foot Hitch Mount Tank Instructions | 1 |

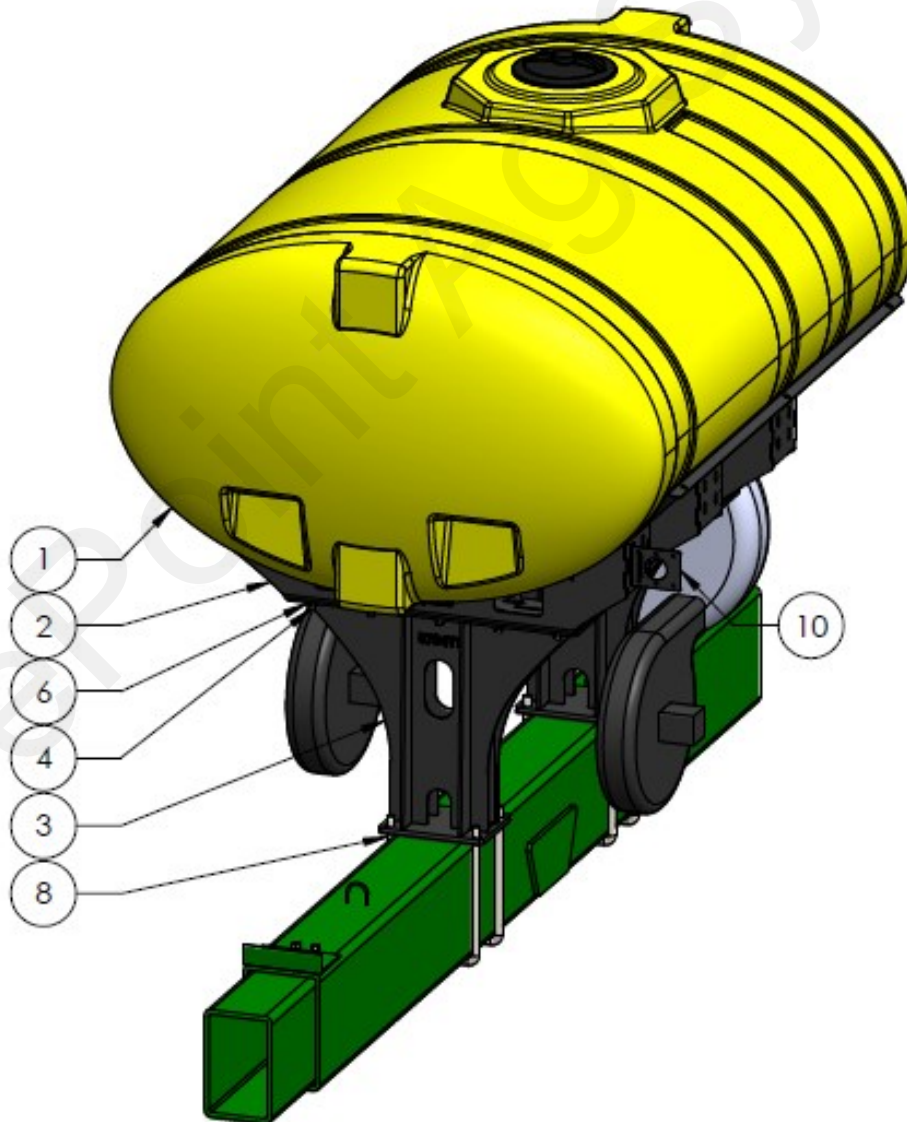




Parts List and Exploded View

Kit Number: 530-01-355700 (500 Gal)

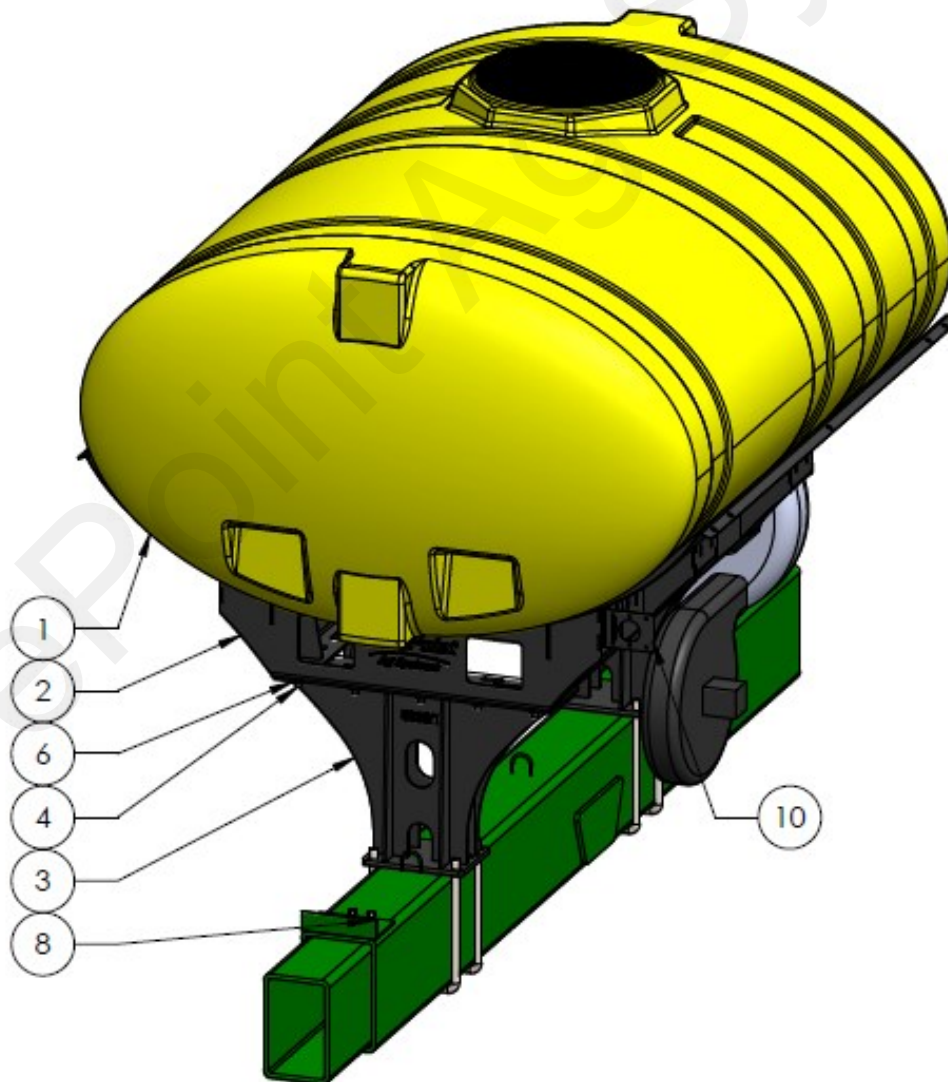
| ITEM NO. | PART NUMBER | DESCRIPTION | QTY. |
|----------|-----------------------|---|------|
| 1 | 727-01-HE0500-57-CS-Y | 500 Gallon Elliptical Tank | 1 |
| 2 | 421-5638Y1-BK | 500 Gallon Elliptical Tank Cradle | 1 |
| 3 | 421-5704Y1-BK | 22" Tank Pedestal | 2 |
| 4 | 307-100108-5 | 5/8" x 1-1/2" Flange Head Bolt - G5 | 14 |
| 5 | 300-060012-5 | 3/8" x 3/4" Hex Head Bolt - G5 | 2 |
| 6 | 325-10 | 5/8" Top Lock Flange Nut | 14 |
| 7 | 323-06 | 3/8" Serrated Flange Nut | 2 |
| 8 | 380-1066 | 3/4" U-bolt Kit - fits 8" x 12" tube | 4 |
| 9 | 525-3000 | Tank Straps, 3" Kit, 400-750 Gallon | 3 |
| 10 | 422-2678Y1 | Bracket for Vacuum Gauge on JD Planters | 1 |
| 11 | 521-01-100255 | John Deere CCS Gauge Extension Assembly | 1 |



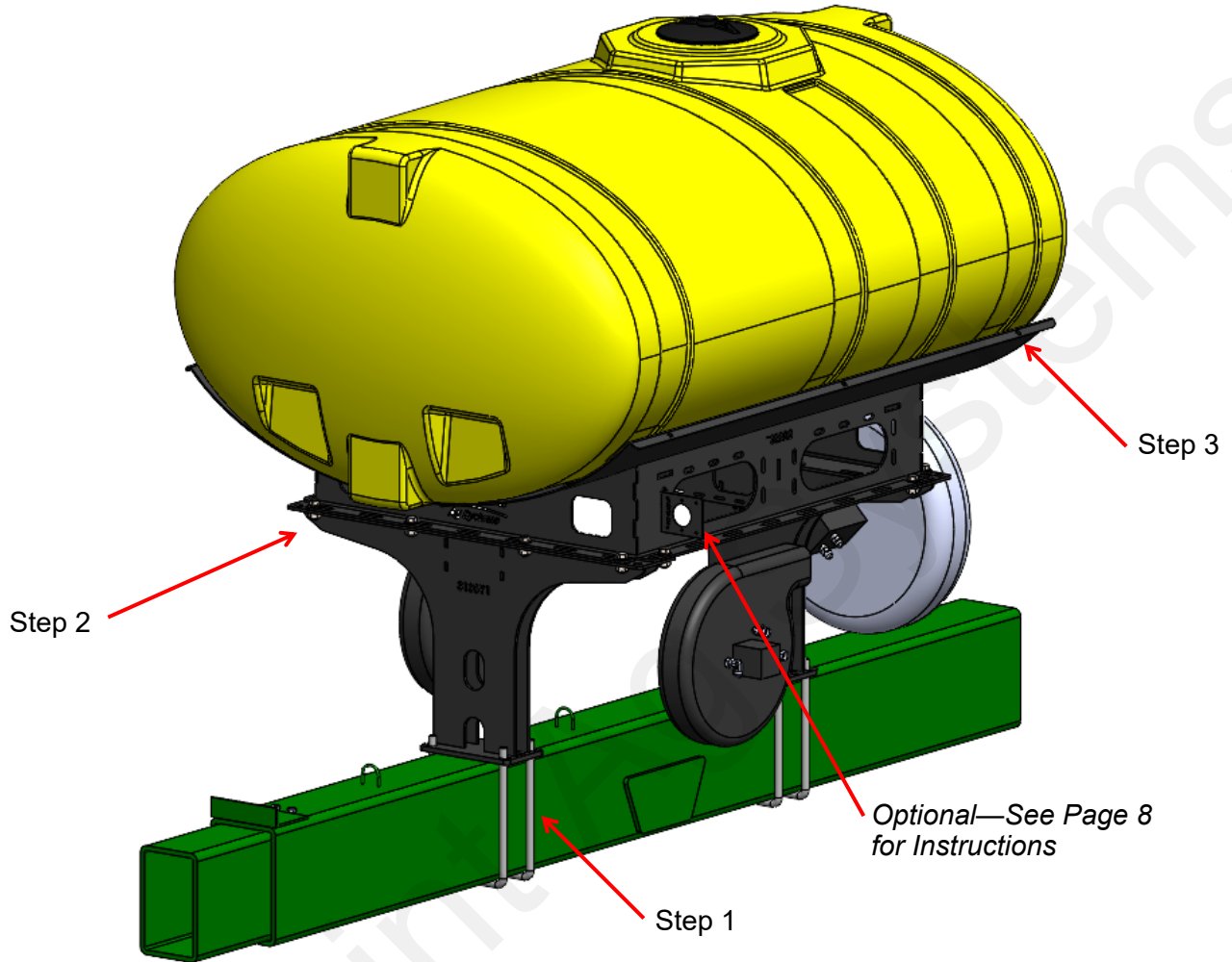


Parts List and Exploded View Kit Number: 530-01-355800 (600 Gal)

| ITEM NO. | PART NUMBER | DESCRIPTION | QTY. |
|----------|-----------------------|---|------|
| 1 | 727-01-HE0600-64-CS-Y | 600 Gallon Elliptical Tank | 1 |
| 2 | 421-5321Y1-BK | 600/750 Gallon Elliptical Tank Cradle | 1 |
| 3 | 421-5331Y1-BK | 18" Tank Pedestal | 2 |
| 4 | 307-100108-5 | 5/8" x 1-1/2" Flange Head Bolt - G5 | 14 |
| 5 | 300-060012-5 | 3/8" x 3/4" Hex Head Bolt - G5 | 2 |
| 6 | 325-10 | 5/8" Top Lock Flange Nut | 14 |
| 7 | 323-06 | 3/8" Serrated Flange Nut | 2 |
| 8 | 380-1066 | 3/4" U-bolt Kit - fits 8" x 12" tube | 4 |
| 9 | 525-3000 | Tank Straps, 3" Kit, 400-750 Gallon | 3 |
| 10 | 422-2678Y1 | Bracket for Vacuum Gauge on JD Planters | 1 |
| 11 | 521-01-100255 | John Deere CCS Gauge Extension Assembly | 1 |



Step by Step Instructions



General Tank Mounting Instructions:

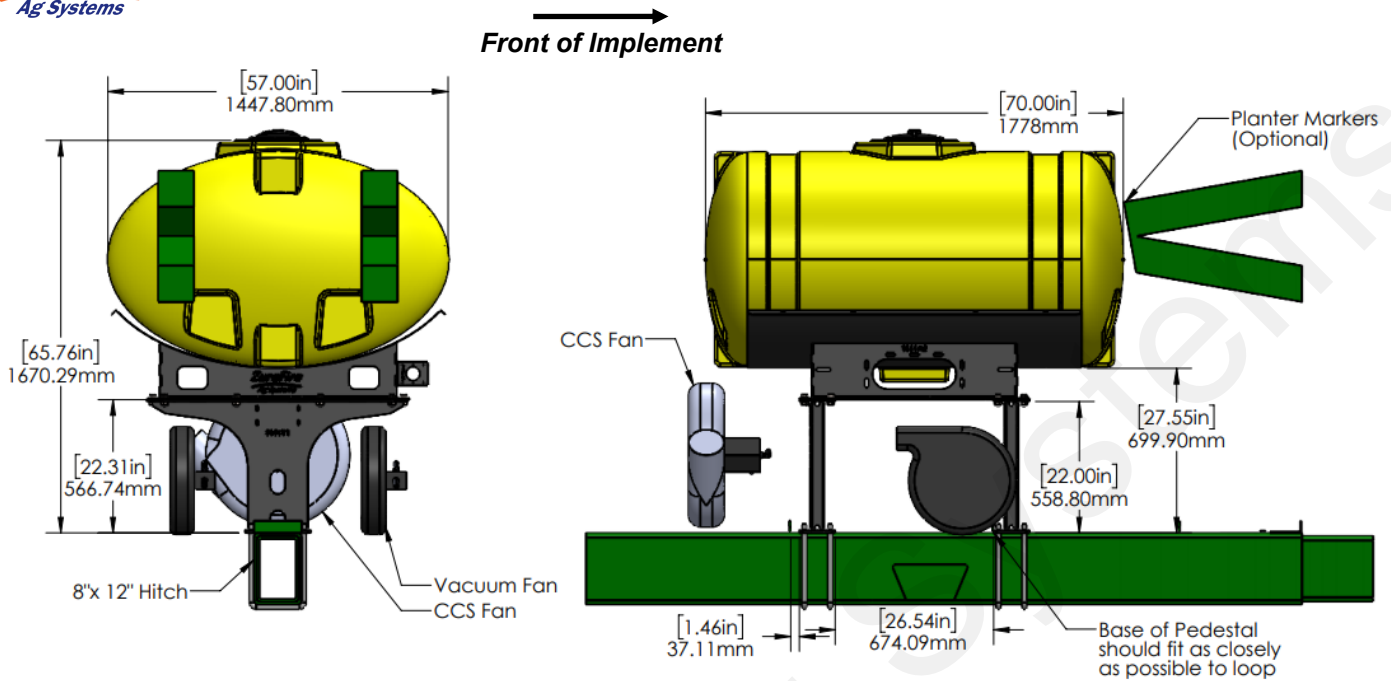
**It is recommended to remove existing vacuum gauge prior to tank installation and installation of new vacuum gauge bracket. See Page 6 for further instructions.*

1. Position support stands per planter model on the following drawings. Loosely attach support stand with 3/4" u-bolts.
2. Place tank cradle on support stands. Bolt loosely with 5/8" bolts. *(Tip: 500 gallon tank cradle can be mounted with sump forward or rearward.)*
3. Install tank and secure with straps. *(This step may have already been completed)*
4. Inspect tank and tank brackets for interference and tighten all bolts.
5. Tighten straps again after the tank has been filled.

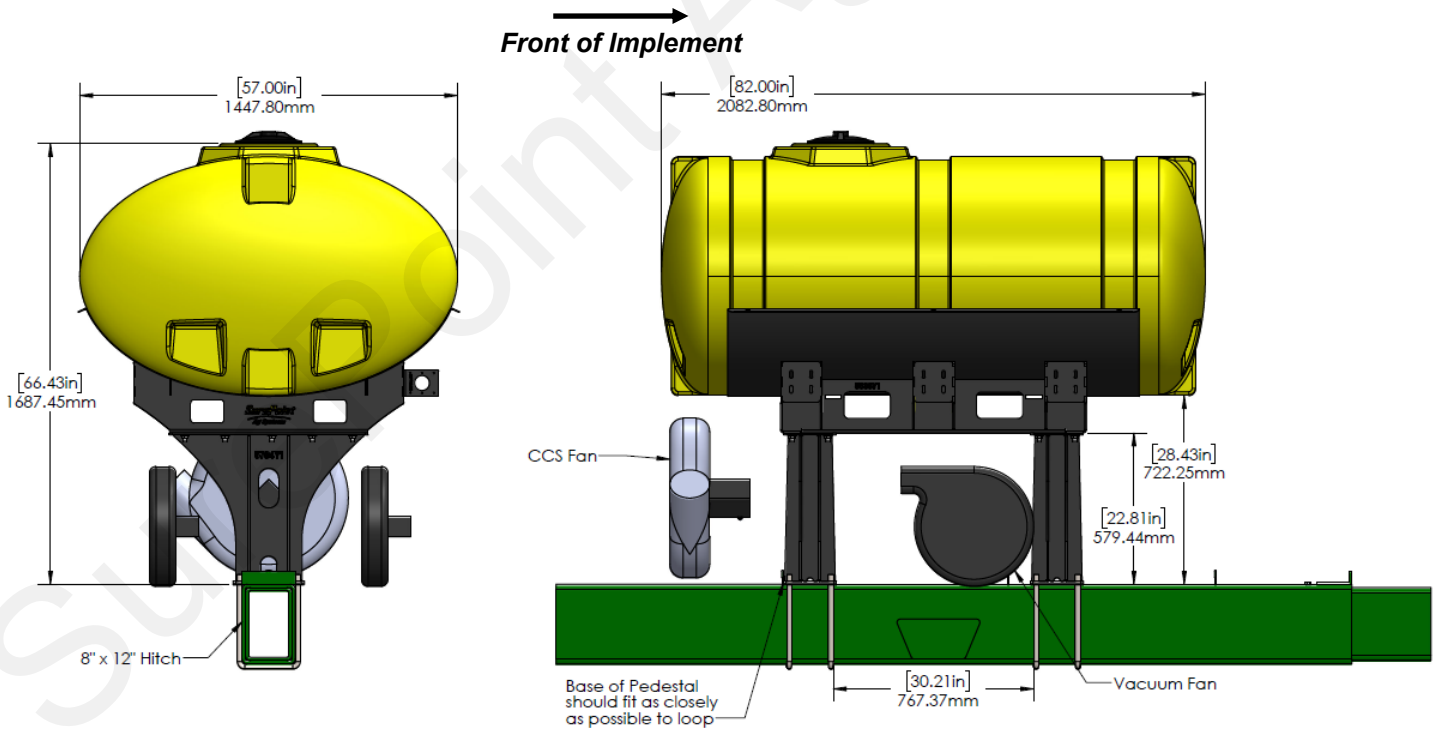
NOTE: REFER TO THE FOLLOWING PAGES FOR SPECIFIC INSTALLATION GUIDES.



Tank Installation Guide



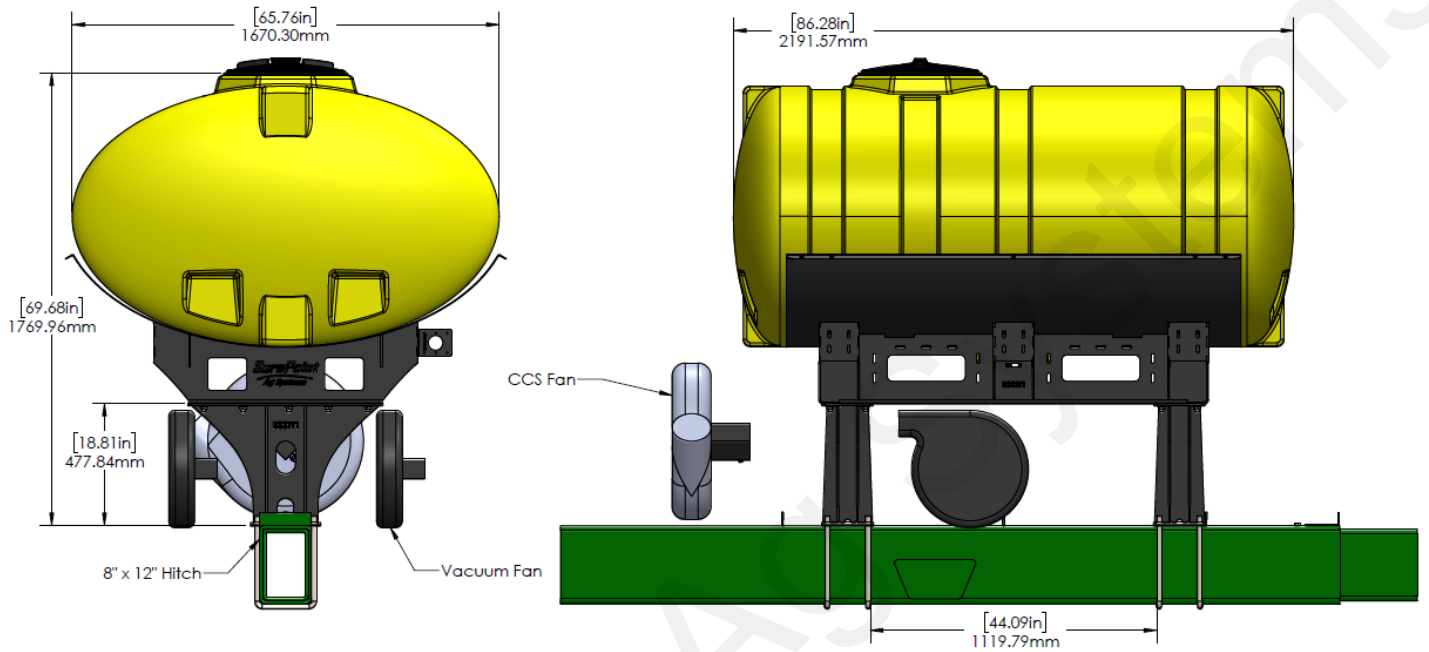
400 Gallon on JD 1790/1995 16R32 or 16R31 -NO Refuge Tank, w/ or w/o markers



500 Gallon on JD 1790/1995 16R32 or 16R31 -NO Refuge Tank, w/ or w/o markers (Markers will require hydraulic cylinder stops)



Tank Installation Guide



600 Gallon on JD 1790/1995 16R32 or 16R31
-NO Refuge Tank, NO markers*
***Use with markers will require hydraulic cylinder stops**

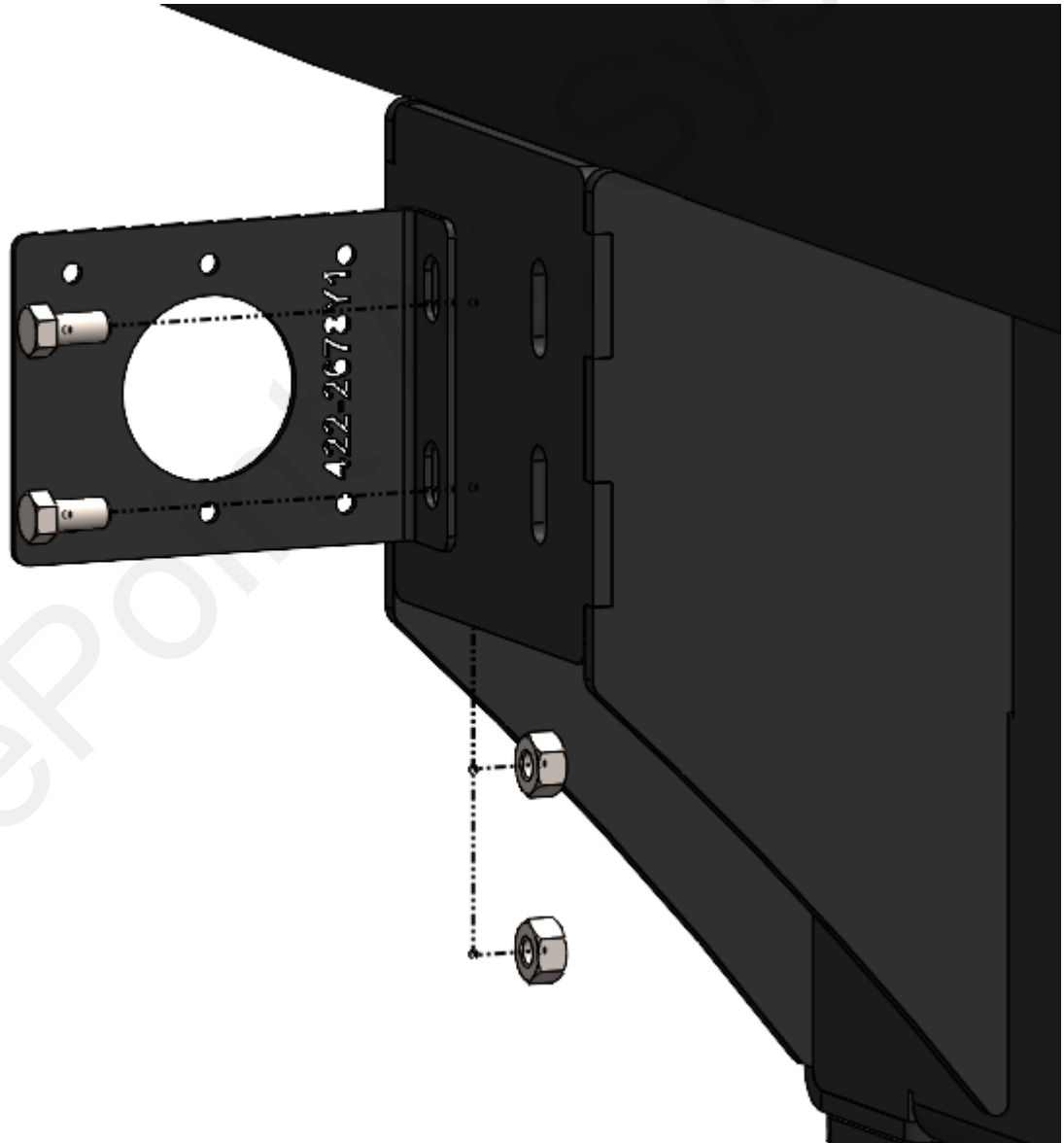


Optional Vacuum Gauge Bracket Installation Instructions

The CCS vacuum gauge must be moved so it can be seen with the tank installed.

Instructions:

1. Mount 422-2678Y1 gauge bracket to the front of the tank cradle using 3/8" bolts and flange nuts. (Shown Below)
2. Remove gauge from current mount and mount vacuum gauge to new bracket using existing hardware.
3. Use 1/4" hose mender and 3/8" OD poly tubing (P/N 521-00-100255) to extend vacuum tubing to relocated vacuum gauge.





Hydraulic Cylinder Depth Stops for Marker Clearance

If you have a planter with markers, you may have to use Hydraulic cylinder depth stops so the markers will clear your tank. If you have any marker clearance issues, these depth stops will need to be purchased from your local John Deere dealership. Follow the step-by-step instructions below to install your depth stop kit.

1. After the install of your tank kit, determine the extra marker clearance needed to clear the tank. The PM30098 Depth Stop Kit provides 4 depth stops of varying thicknesses: 3/4", 1", 1-1/4", and 1-1/2". You may use one, some, or all of these stops to get the proper clearance from your tank.
2. Open the planter and set the planter to "Plant" mode. Lay the markers out and place the necessary depth stops on the cylinder rods.
3. Retract the markers and fold the planter carefully. Your markers may not clear the tank on the first try. When folding the planter, watch the marker clearance carefully and adjust marker stops as necessary for your application.

**John Deere Hydraulic
Cylinder Depth Stop Kit
Part Number: PM30098**



Place depth stops here: