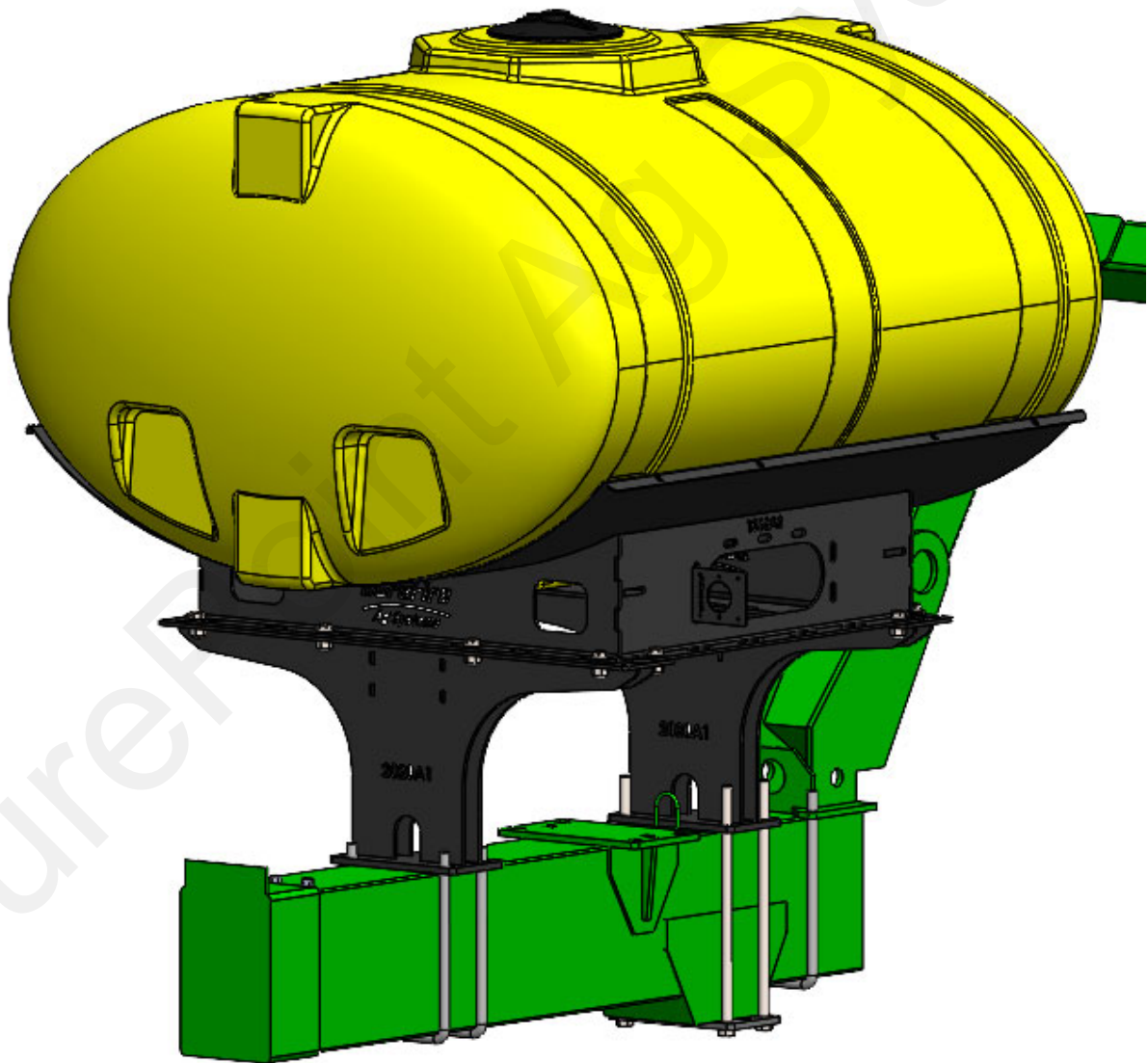




396-001390

John Deere 30 Foot, 12 Row 1770NT/1775NT Hitch Mount Tank Instructions

Kit Number:
530-01-250750: 400 Gallon Elliptical Tank Kit

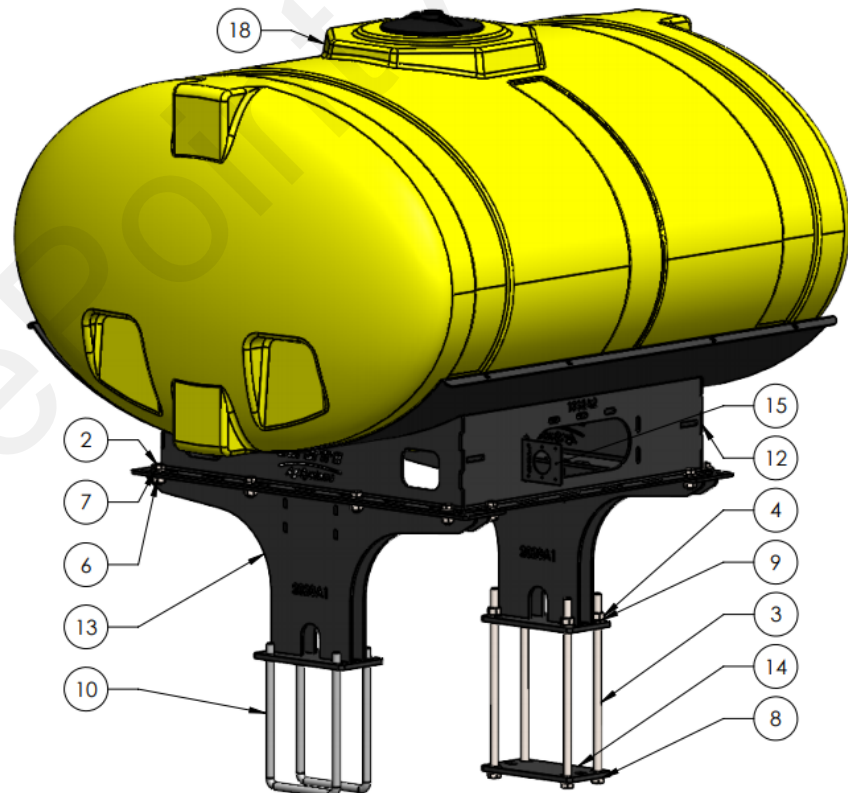




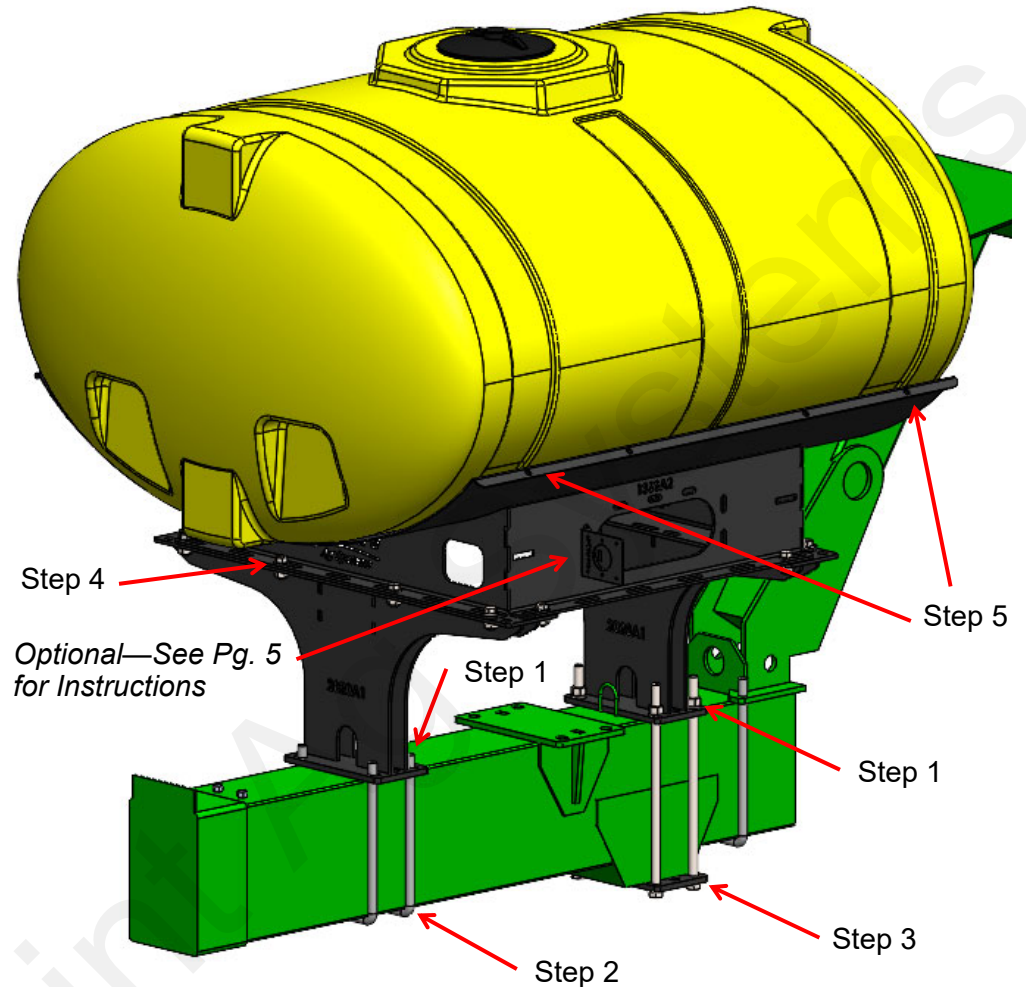
Parts List and Exploded View

Kit Number: 530-01-250750 (400 Gal)

ITEM NO.	PART NUMBER	DESCRIPTION	QTY.
1	300-060012-5	3/8" x 3/4" Hex Head Bolt - G5	2
2	300-100108-5	5/8" x 1-1/2" Hex Head Bolt - G5	12
3	300-121800-5	3/4" x 18" Hex Head Bolt - G5	4
4	320-12	3/4" Nut	4
5	323-06	3/8" Flange Nut	2
6	323-10	5/8" Flange Nut	12
7	330-10	5/8" Flat Washer	12
8	330-12	3/4" Flat Washer	4
9	331-12	3/4" Lock Washer	4
10	380-1066	3/4" U-bolt Kit - fits 8" x 12" tube	2
11	396-001390	John Deere 12R 30" 1770 Front Fold Planter Hitch Mount Tank Instructions	1
12	421-1333A2-BK	400 Gallon Elliptical Cradle	1
13	421-2020A1	16-3/4" 300-500 Gallon Tank Pedestal	2
14	421-2023A1	Bolt Plate and Spacer for JD1770NT 12R30	1
15	422-2678Y1	Bracket for Vacuum Gauge on JD Planters	1
16	521-00-100255	John Deere CCS Gauge Extension Assembly	1
17	525-3000	3" Tank Strap Kit for 400-1000 Gallon	2
18	727-01-HE0400-57-Y	Elliptical Tank - 400 - Yellow	1



Step by Step Instructions



Tank Mounting Instructions:

**It is recommended to remove existing vacuum gauge prior to tank installation and installation of new vacuum gauge bracket. See Page 5 for further instructions.*

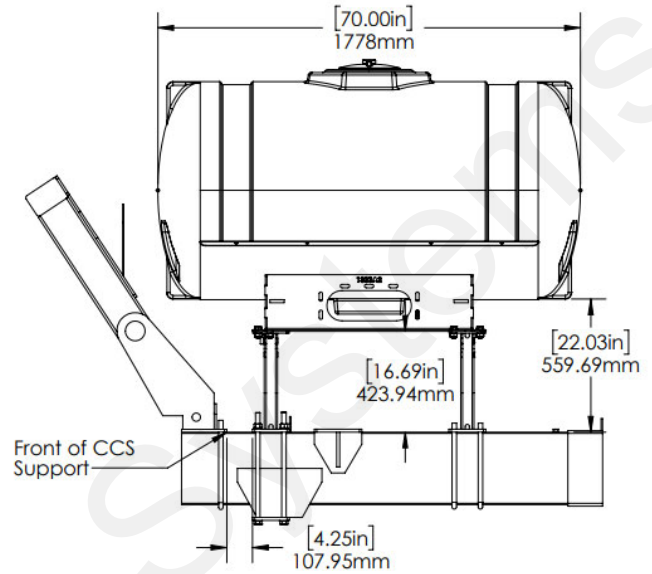
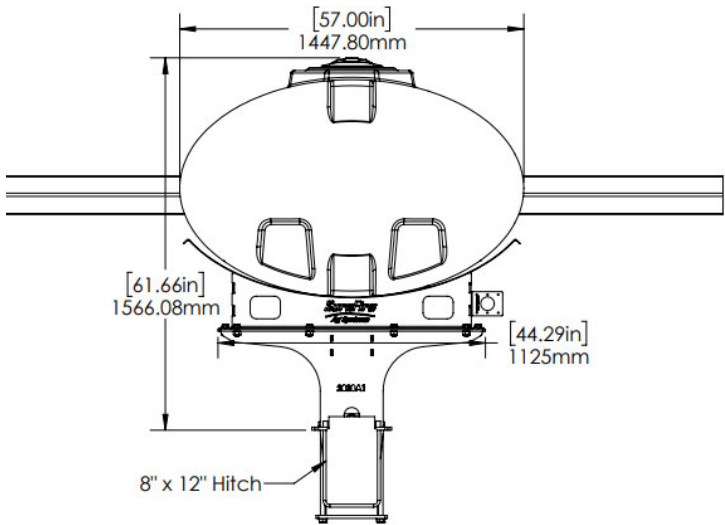
1. Mount both pedestals (421-3136Y1-GN) directly to the 8x12 hitch.
2. Loosely mount the front pedestal using provided 3/4" x 8" x 12" square u-bolts.
3. Use the provided backer plate (421-2023Y1-GN) and 3/4" x 18" bolts to loosely attach the rear pedestal. Fasten with 3/4" flat washer, lock washer and hex nut. The front of the pedestal should mount as close to the welded loop as possible (approximately 4-1/4" space between the pedestal bolt plate and CCS support plate) Note: To center the backer plate on the frame gusset, remove the welded loop with a grinder.
4. Place tank cradle on support stands. Bolt loosely with 5/8" bolts. (*Tip: 400 gallon tank cradle can be mounted with sump forward or rearward. For installation with markers, the cradle can be rotated 90°*)
5. Install tank and secure with straps. (*This step may have already been completed*)
6. Inspect tank and tank brackets for interference and tighten all bolts.
7. Tighten straps again after the tank has been filled.

NOTE: REFER TO THE FOLLOWING PAGES FOR SPECIFIC INSTALLATION GUIDES.



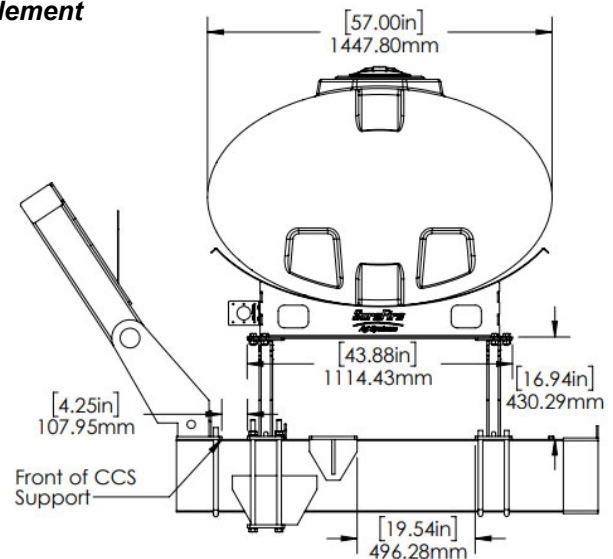
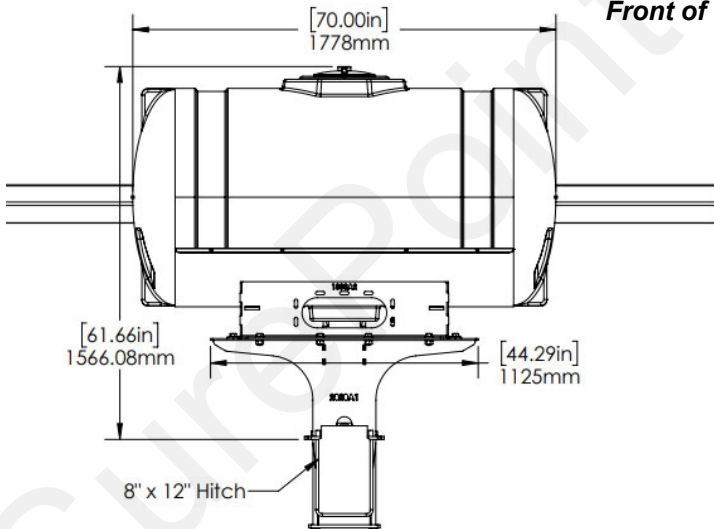
400 Gallon Tank Installation Guide

→
Front of Implement



JD1770NT 12R30 -NO Refuge Tank, NO markers

→
Front of Implement



JD1770NT 12R30 -NO Refuge Tank, With markers (Tank/Cradle rotated 90°)

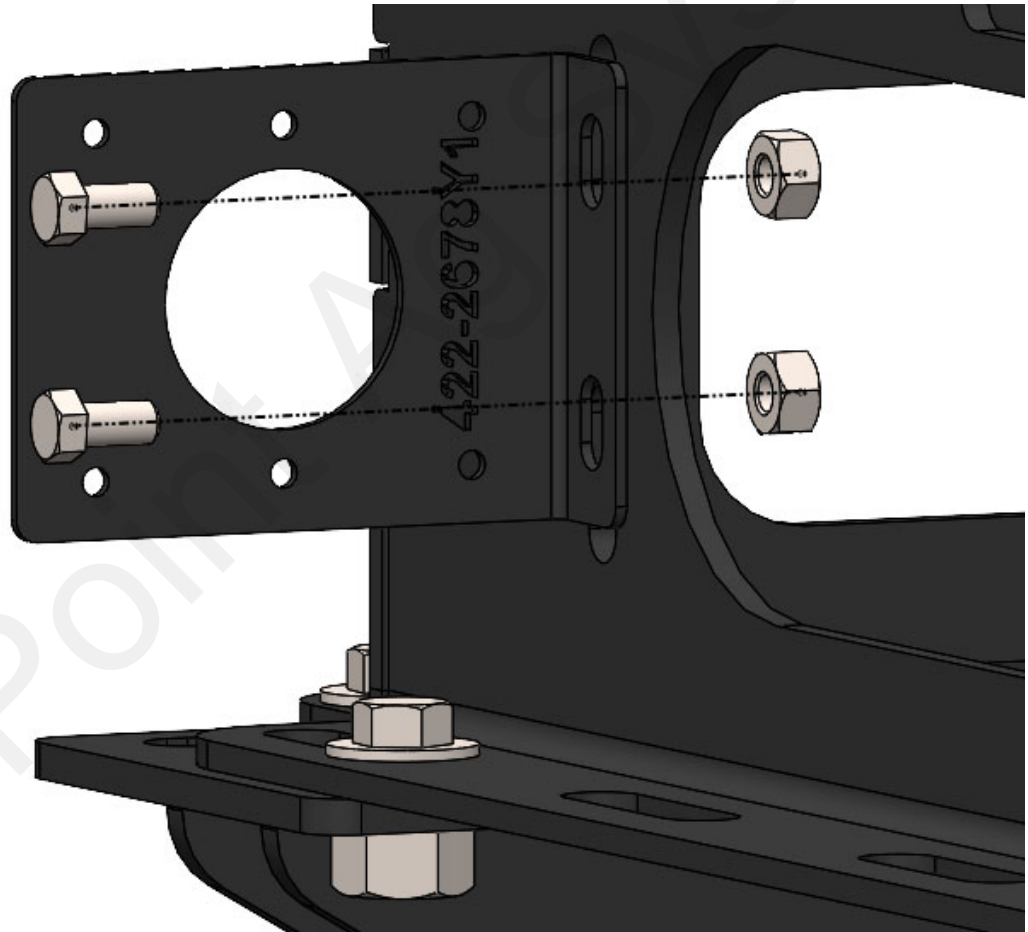


Optional Vacuum Gauge Bracket Installation Instructions

The CCS vacuum gauge must be moved so it can be seen with the tank installed.

Instructions:

1. Mount 422-2678Y1 gauge bracket to the front of the tank cradle using 3/8" bolts and flange nuts. (Shown Below)
2. Remove gauge from current mount and mount vacuum gauge to new bracket using existing hardware.
3. Use 1/4" hose mender and 3/8" OD poly tubing (P/N 521-00-100255) to extend vacuum tubing to relocated vacuum gauge.





Hydraulic Cylinder Depth Stops for Marker Clearance

If you have a planter with markers, you may have to use Hydraulic cylinder depth stops so the markers will clear your tank. If you have any marker clearance issues, these depth stops will need to be purchased from your local John Deere dealership. Follow the step-by-step instructions below to install your depth stop kit.

1. After the install of your tank kit, determine the extra marker clearance needed to clear the tank. The PM30098 Depth Stop Kit provides 4 depth stops of varying thicknesses: 3/4", 1", 1-1/4", and 1-1/2". You may use one, some, or all of these stops to get the proper clearance from your tank.
2. Open the planter and set the planter to "Plant" mode. Lay the markers out and place the necessary depth stops on the cylinder rods.
3. Retract the markers and fold the planter carefully. Your markers may not clear the tank on the first try. When folding the planter, watch the marker clearance carefully and adjust marker stops as necessary for your application.

**John Deere Hydraulic
Cylinder Depth Stop Kit
Part Number: PM30098**



Place depth stops here: