



# 396-001360

## Tank Mounting Instructions

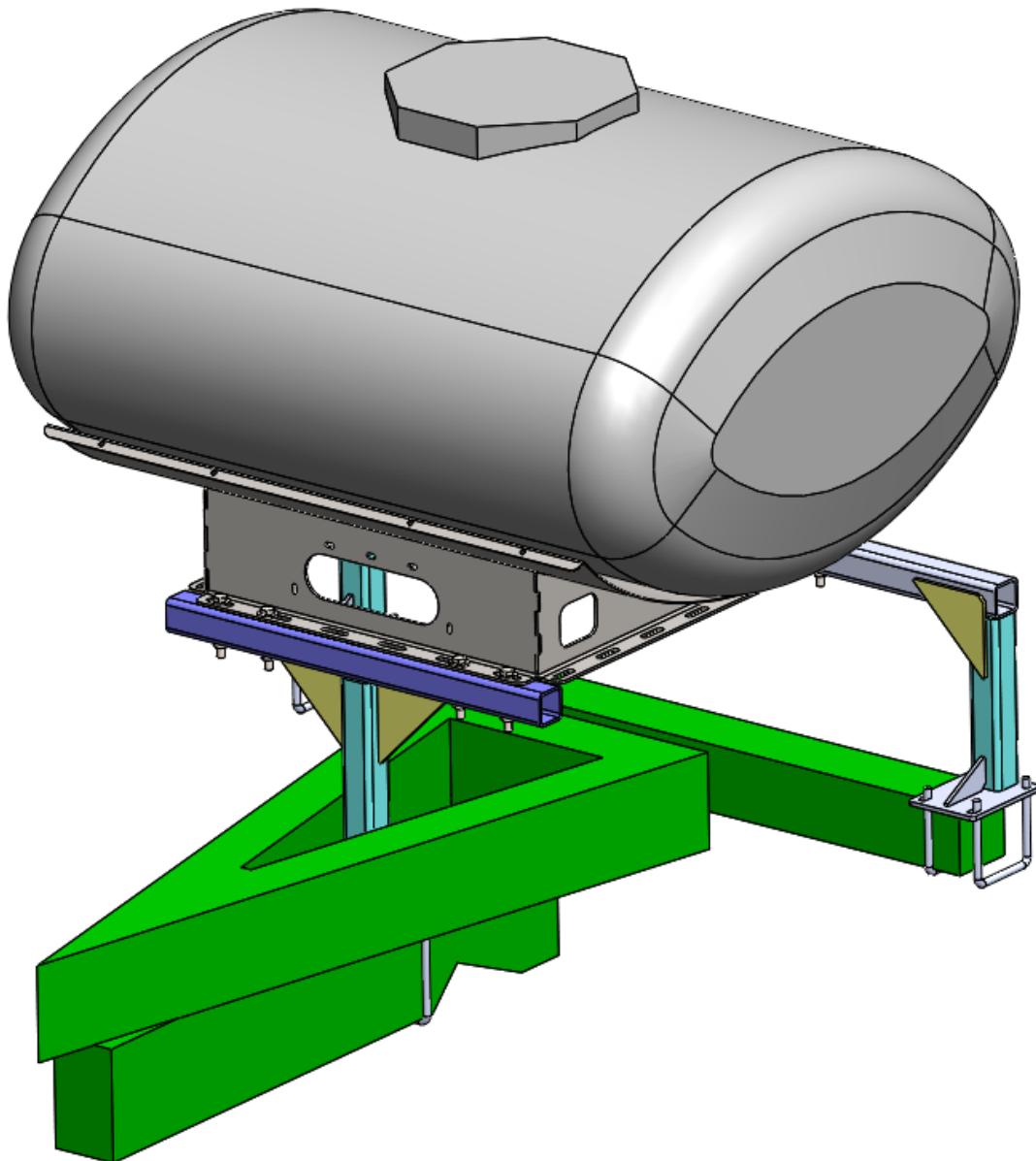
### 3S3000 30' Drill

### 400 Gallon Elliptical Tank

Drill Manufacturer:



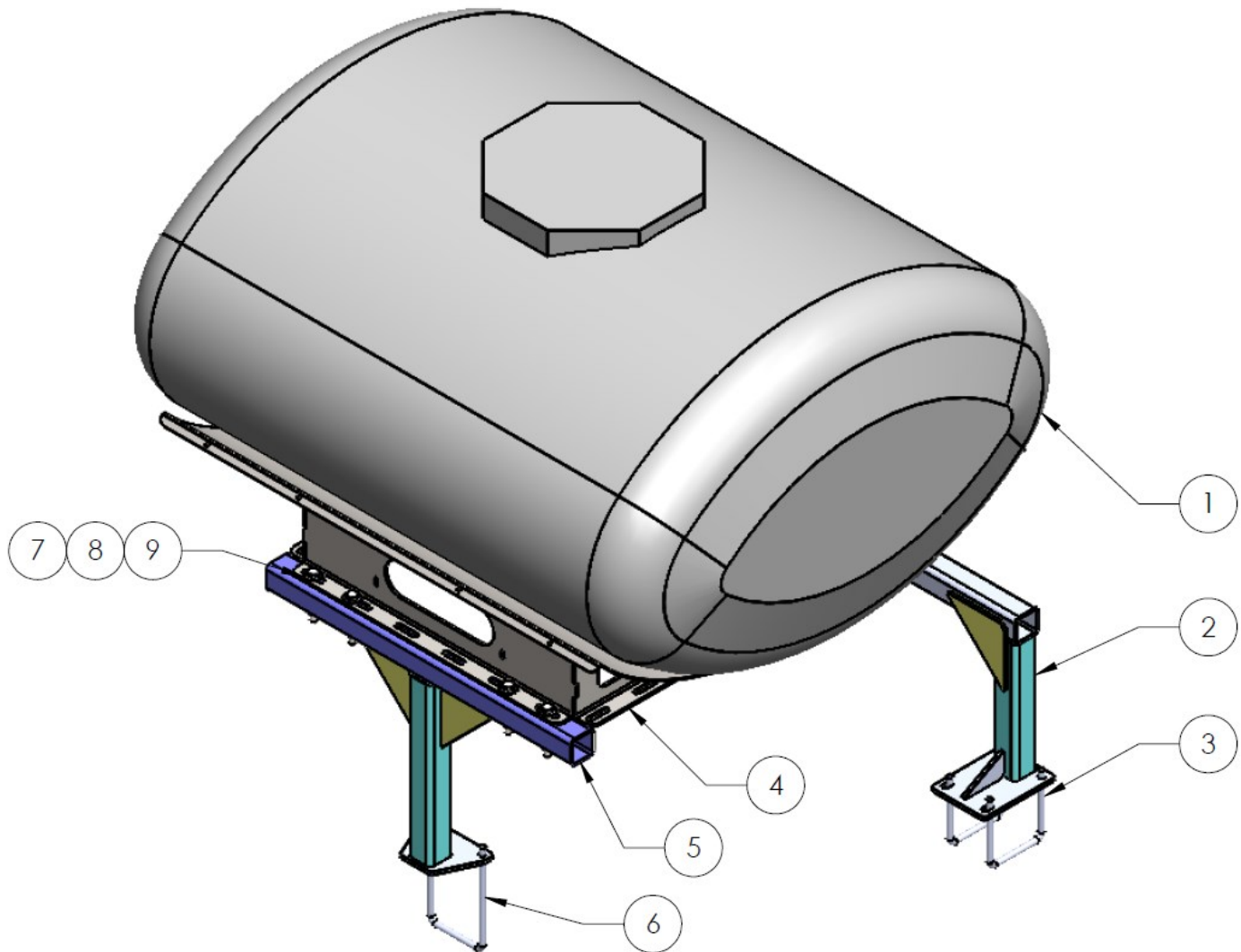
Kit Number: 551-04-100500





# Parts List and Exploded View

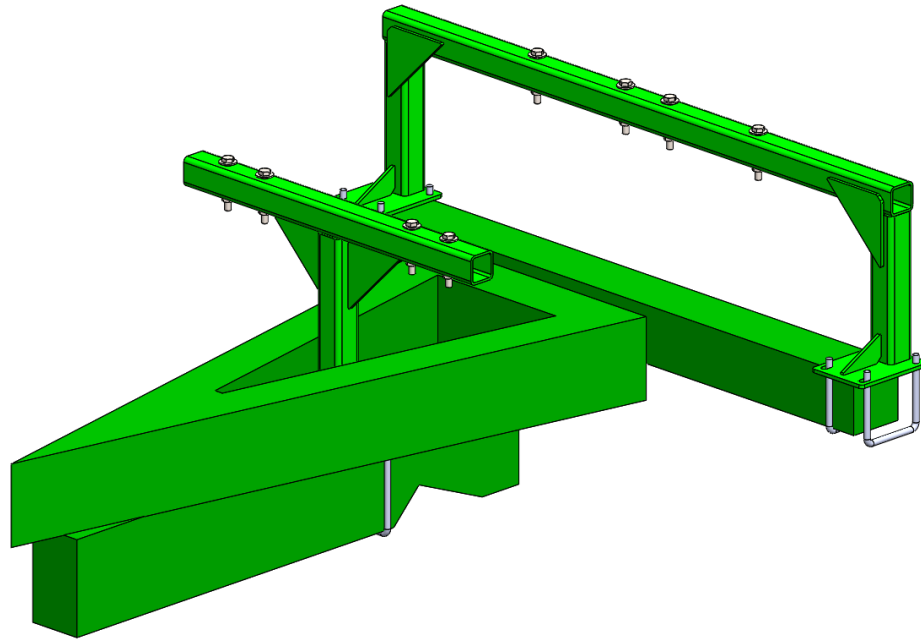
ITEM NO.	PART NUMBER	DESCRIPTION	QTY.
1	727-01-HE00400	Elliptical Tank - 400 Gallon	1
2	450-1058A1	Rear Bracket WA 30' & 40' Great Plains	1
3	380-1042	5/8" x 6" x 7-1/2" Square Bend U-Bolt	4
4	421-1333A2	400 Gallon Elliptical Cradle	1
5	450-1969A1	GP 3S3000 Front Support WA	1
6	380-1043	5/8" x 6" x 11-1/2" Square Bend U-Bolt	1
7	300-100500-5	5/8" x 5" HCS G5	8
8	323-10	5/8" Flange Nut	8
9	330-10	5/8" Flat Washer	8
10	525-3000	3" Tank Strap Kit for 400 - 1000 gal tank	2



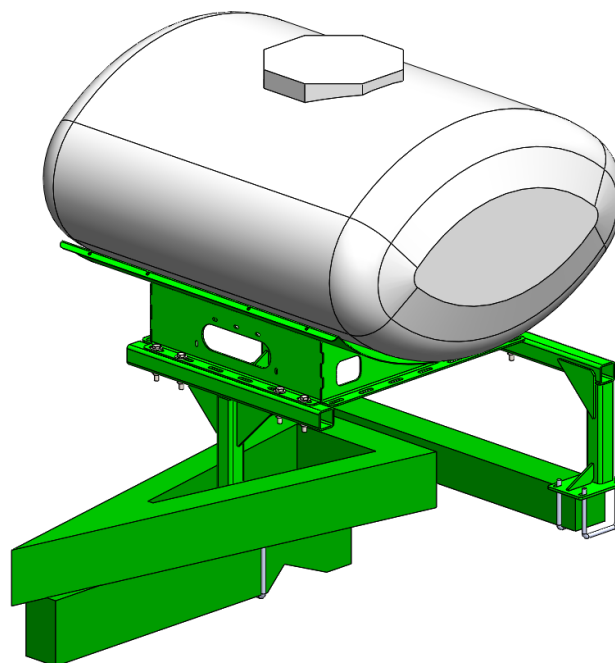


# Step by Step Instructions

1. Loosely u-bolt rear stand to drill, centered on the center drill box. Note that vertical tubes are offset to the rear of the drill.
2. Loosely u-bolt front stand to drill in location shown.

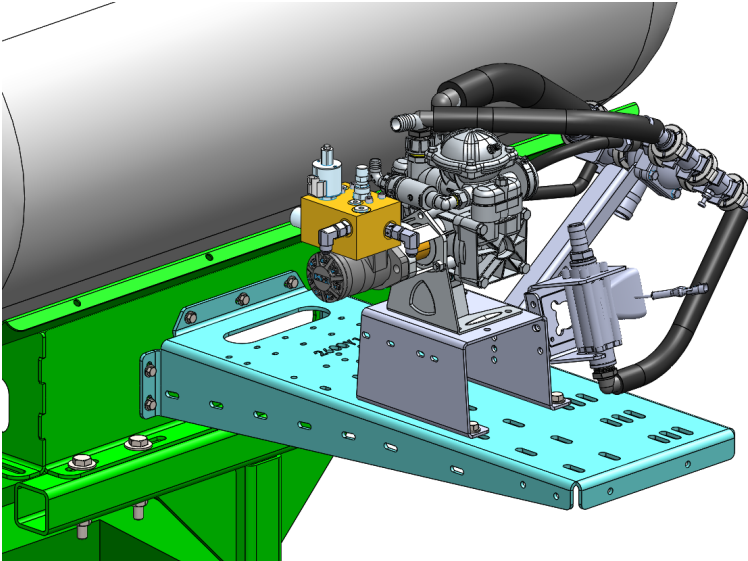


3. Set cradle on stands and bolt down using 5/8" bolts in locations shown above. The front stand may be adjusted forward or backwards as necessary.
4. Once cradle is in place, tighten all bolts.
5. Set and strap tank in place on cradle.

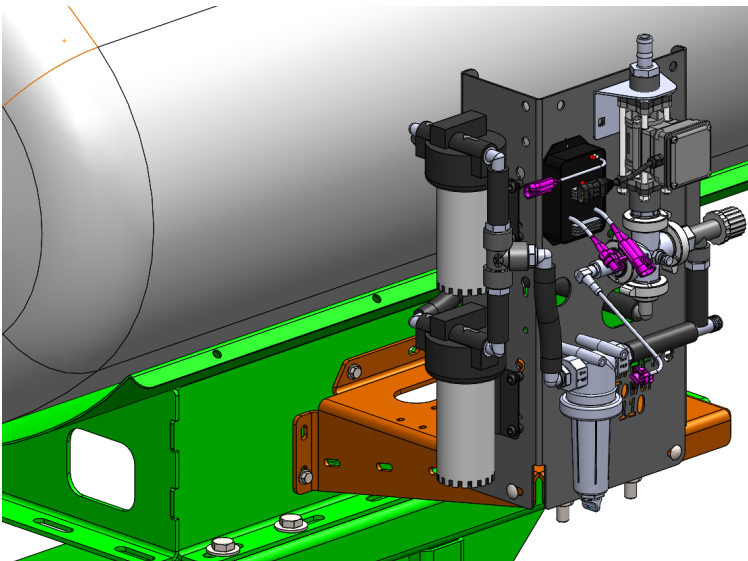




## Optional/Related Items



**PumpRight Bracket Kit**  
**Kit Number: 515-203200**  
**Instruction sheet: 396-2613Y1**



**Tower Bracket Kit**  
**Kit Number: 511-100850**  
**Instruction sheet: 396-2648Y1**

**Tank Fill Kit: 555-101350**  
**Tower Discharge Kit: 556-1001**  
**PumpRight Discharge Kit: 520-00-103600**

**Instruction Sheet: 396-2645Y1**



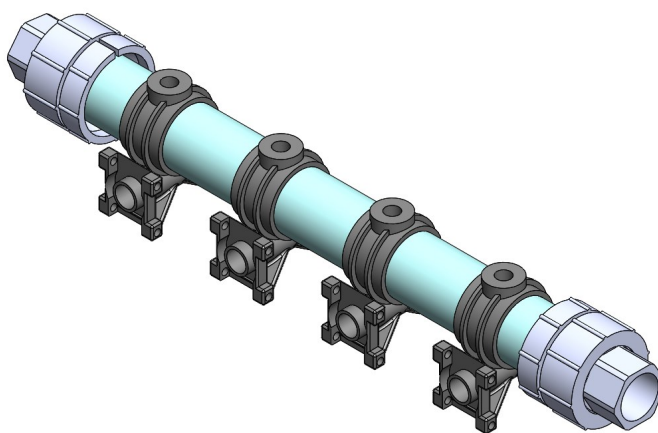
## Optional/Related Items

### Manifold Kits:

Instruction sheet for this kit: **396-2618Y1**

**553-04-30000:** 30' 7.5" spacing

**553-04-30500:** 30' 10" spacing



### Stainless Steel Tubes:

270-54HD (shown at left)

270-54

270-GP10SERIESHD

**Note: When tubes are installed on the HD openers, the seed flapper must be removed.**