

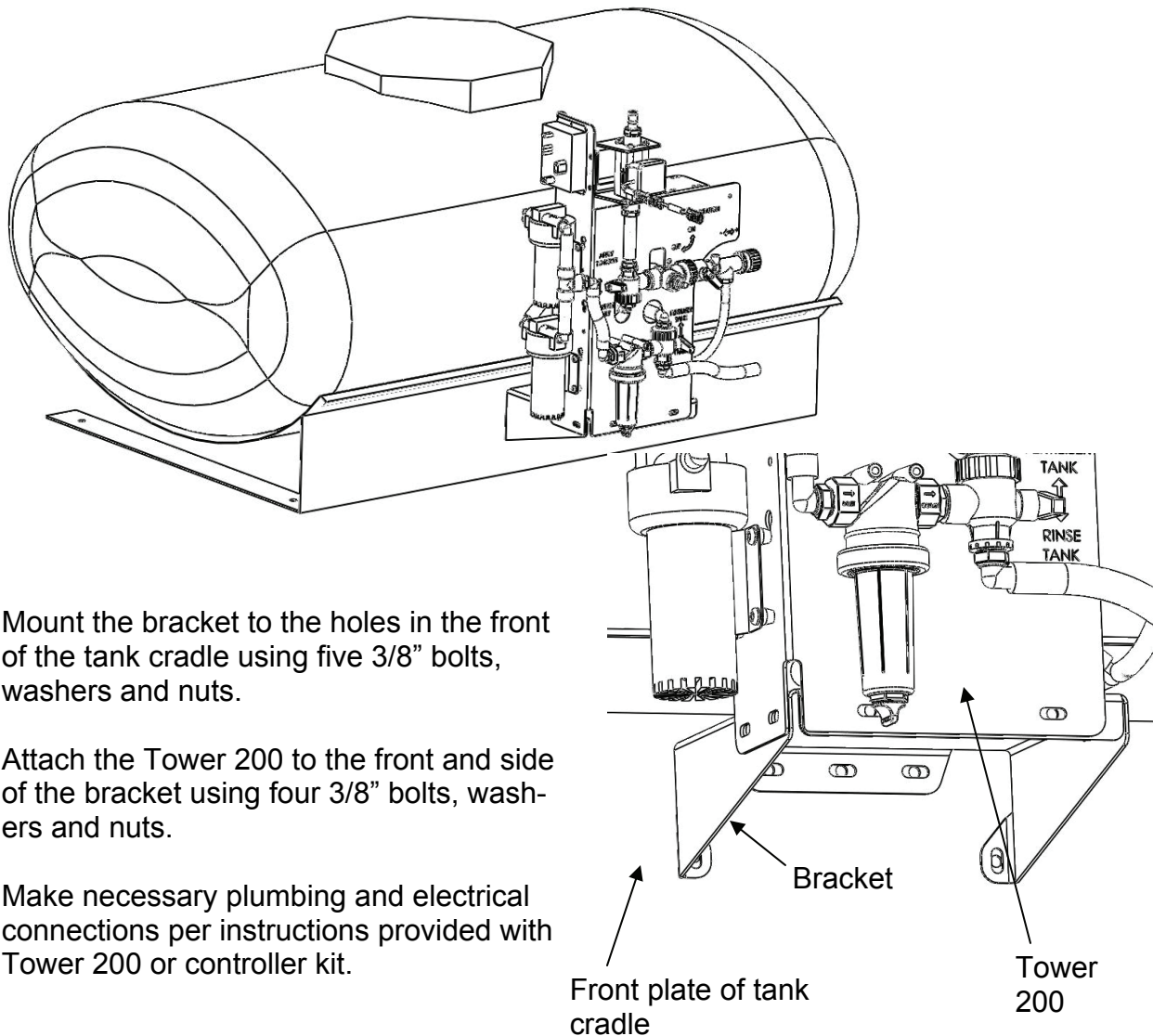
396-001280



Tower 200 Mounting Bracket to Tractor Front Mount Elliptical Tank

Kit Item Number: 511-1009

This mounting bracket provides a mounting surface for the Tower 200 12" in front of a flat plate. Specifically, it is designed to work with Patriot front mount 200 and 300 gallon elliptical tanks.



Mount the bracket to the holes in the front of the tank cradle using five 3/8" bolts, washers and nuts.

Attach the Tower 200 to the front and side of the bracket using four 3/8" bolts, washers and nuts.

Make necessary plumbing and electrical connections per instructions provided with Tower 200 or controller kit.