



# 396-001200

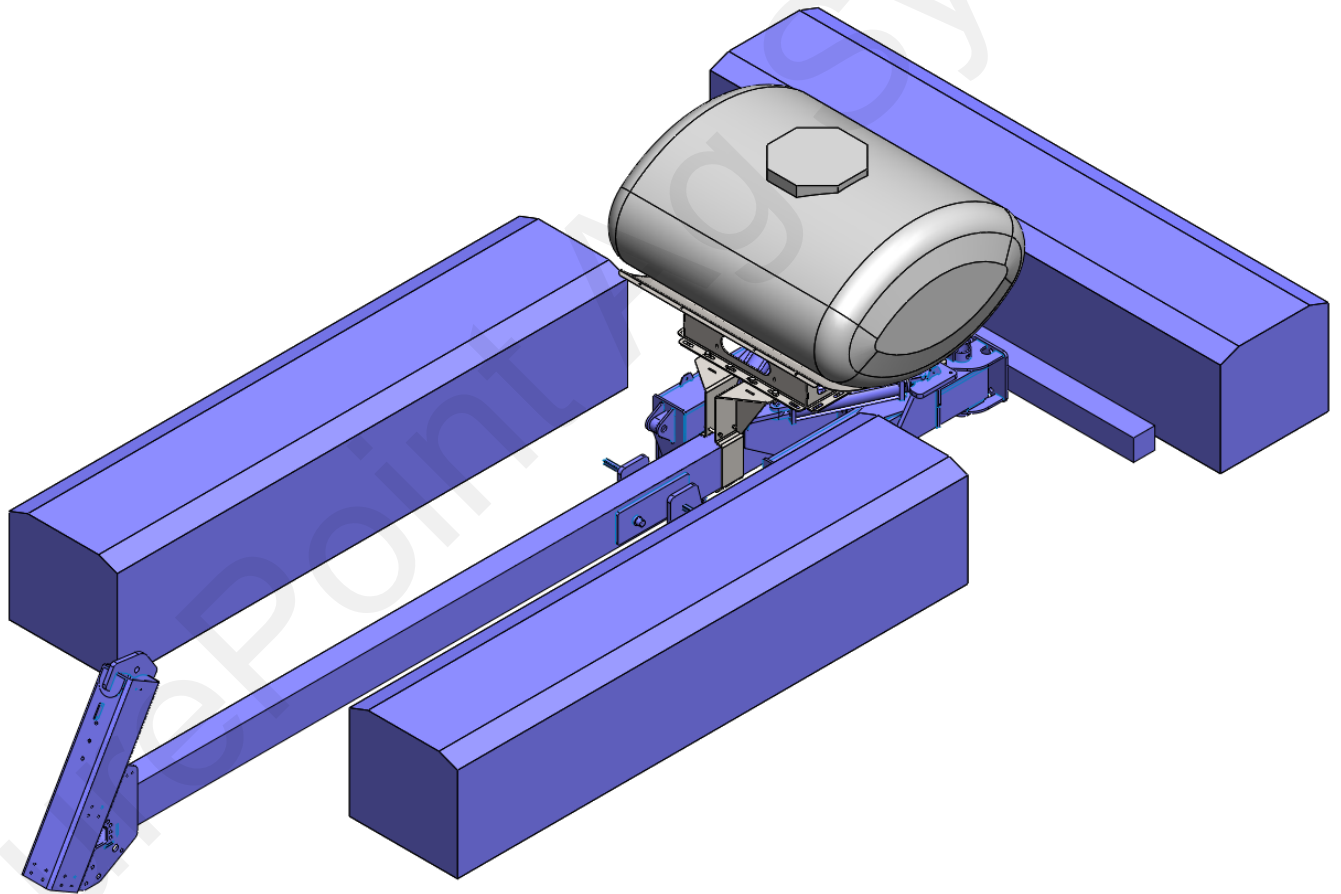
## Tank Mounting Instructions

### 400 and 500 Gallon Elliptical Tank

Drill Manufacturer:



Kit Numbers: 551-05-100500 (400 Gal) and 551-05-100600 (500 Gal)

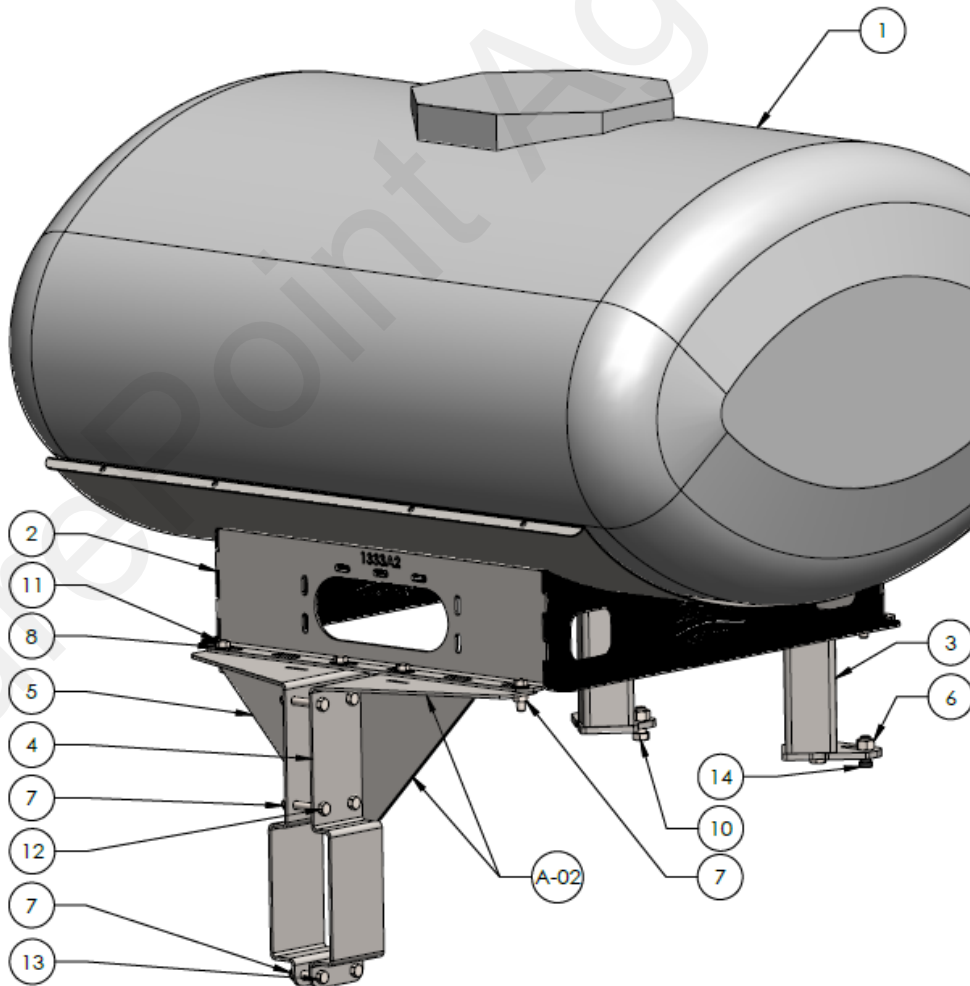




# Parts List

## 551-05-100500 (400 Gallon Tank)

ITEM NO.	PART NUMBER	DESCRIPTION	QTY.
1	727-01-HE0400-57	Elliptical Tank - 400 Gallon	1
2	421-1333A2	400 Gallon Elliptical Cradle	1
3	400-1375A1	Landoll Drill 400 Gallong Elliptical Rear Support Bracket	2
4	400-1376A1	Front Right Support Bracket	1
5	400-1377A1	Front Left Bracket Support	1
6	320-12	3/4" Nut	4
7	323-10	5/8" Flange Nut	14
8	330-10	5/8" Flat Washer	8
9	525-3000	3" Tank Strap Kit for 400 - 1000 gal tank (one strap per kit)	2
10	300-120200-5	3/4" x 2" Hex Head Bolt-G5	2
11	300-100200-5	5/8" x 2" Hex Head Bolt-G5	8
12	300-100400-5	5/8" x 4" Hex Head Bolt-G5	4
13	300-100300-5	5/8" x 3" Hex Head Bolt-G5	2
14	305-075200	3/4" x 2" Low Head Socket Bolt - 10 T.P.I. - Black Oxide	2
15	331-12	3/4" Lock Washer	4

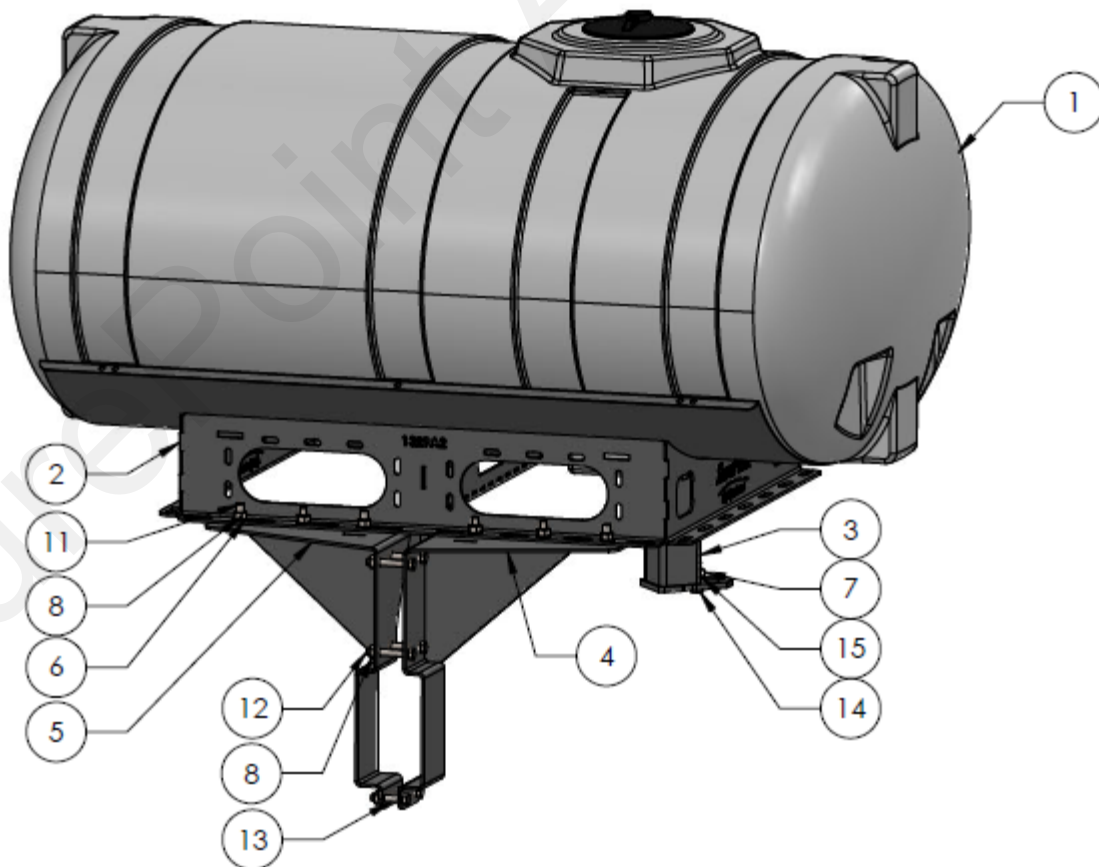




# Parts List

## 551-05-100600 (500 Gallon Tank)

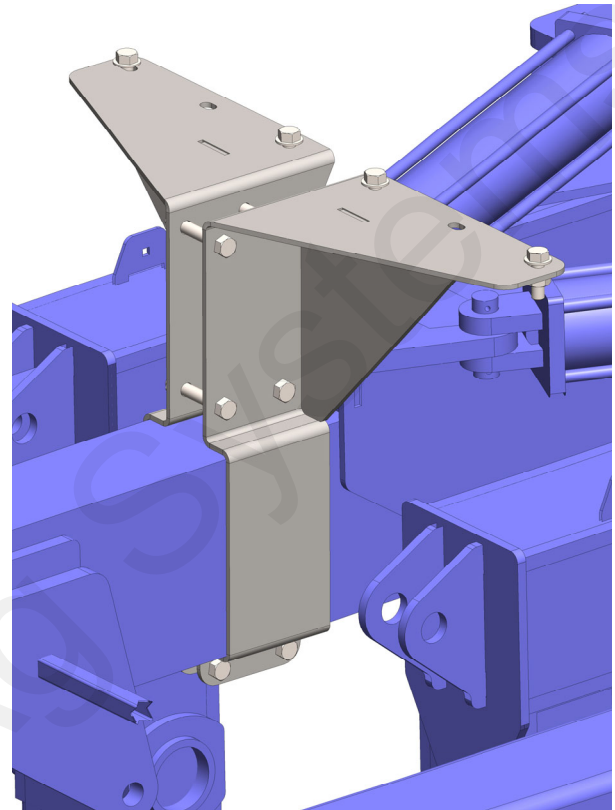
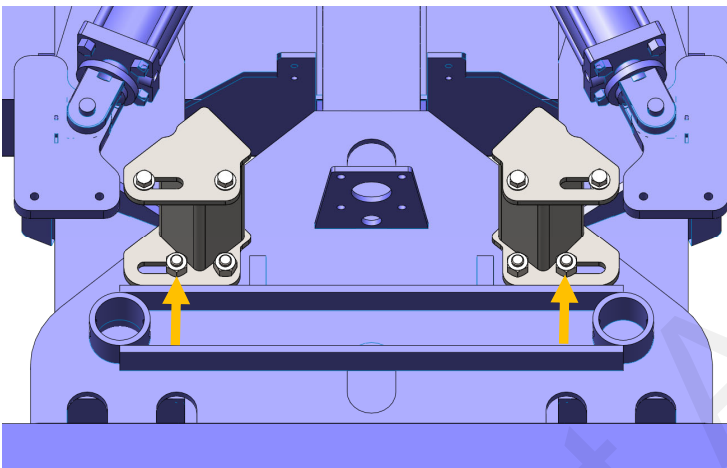
ITEM NO.	PART NUMBER	DESCRIPTION	QTY.
1	727-01-HE0500-57-OS-W	Elliptical Tank - 500 Gallon - White	1
2	421-1329A2	500 Gallon Elliptical Cradle	1
3	400-1375A1	Landoll Drill 400 Gallon Elliptical Rear Support Bracket	2
4	400-1376A1	Front Right Support Bracket	1
5	400-1377A1	Front Left Bracket Support	1
6	330-10	5/8" Flat Washer	8
7	320-12	3/4" Nut	4
8	323-10	5/8" Flange Nut	16
9	525-3000	3" Tank Strap Kit for 400 - 1000 gal tank (one strap per kit)	2
10	300-120200-5	3/4" x 2" Hex Head Bolt-G5	2
11	300-100200-5	5/8" x 2" Hex Head Bolt-G5	8
12	300-100400-5	5/8" x 4" Hex Head Bolt-G5	4
13	300-100300-5	5/8" x 3" Hex Head Bolt-G5	2
14	305-075200	3/4" x 2" Low Head Socket Bolt - 10 T.P.I. - Black Oxide	2
15	331-12	3/4" Lock Washer	4



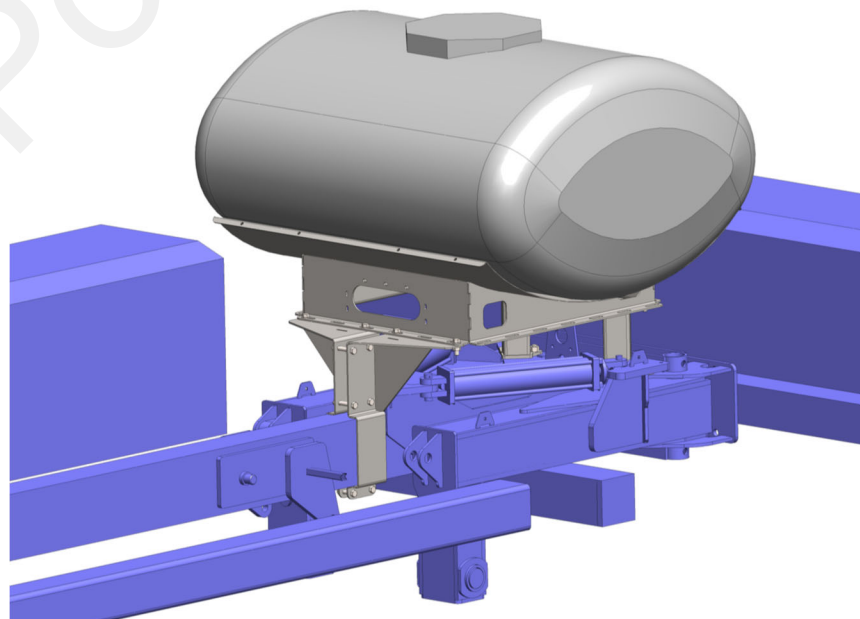


# Step by Step Instructions

1. The front left and right supports clamp around the main hitch of the drill. Use 5/8"x4" bolts on top and 5/8"x3" bolts on bottom. Do not fully tighten until the Tank Cradle is installed and in desired position. (right)
2. The rear supports bolt to the drill frame using 3/4" bolts in pre-existing holes. Bolts feed up from the bottom. (below) Use the 3/4" Socket Bolts (305-075200) on the outside spots to prevent head clearance issues when folding. (see arrows below)



3. Set the cradle on the supports, adjusting the front support as necessary. Use 5/8" bolts to hold the cradle to the supports.
4. Set and strap the tank into the cradle. Straps will need re-tightened after Tank is filled with Product.



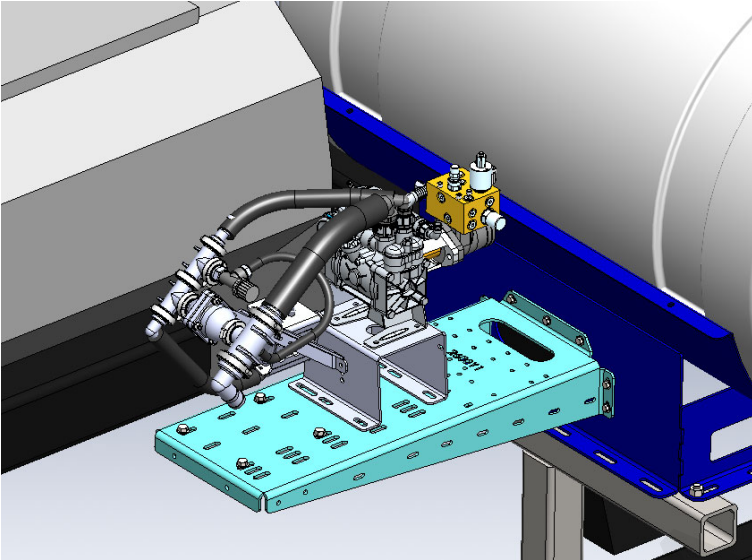


## Optional/Related Items

### PumpRight Bracket Kit

Kit Number: 515-203200

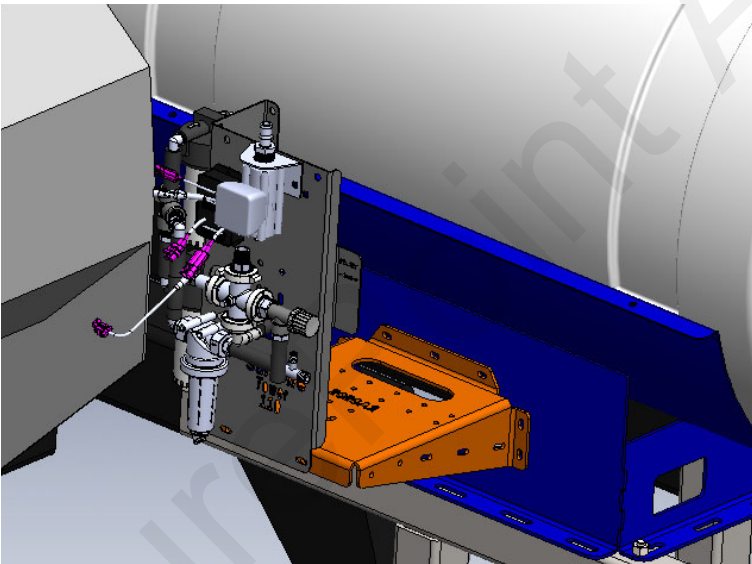
Instruction sheet for this kit: 396-2613Y1



### Tower Bracket Kit

Kit Number: 511-100850

Instruction sheet for this  
kit: 396-2648Y1



The electric pumps on the Tower are fed with 3/4" hose from the valve on the plumbing kit below.

**Tank Fill Kit: 555-101350**

**Tower Discharge Kit: 556-1001**

**PumpRight Discharge Kit: 520-00-103600**

**Instruction Sheet: 396-2645Y1**





## Optional/Related Items

### Manifold Kit Numbers:

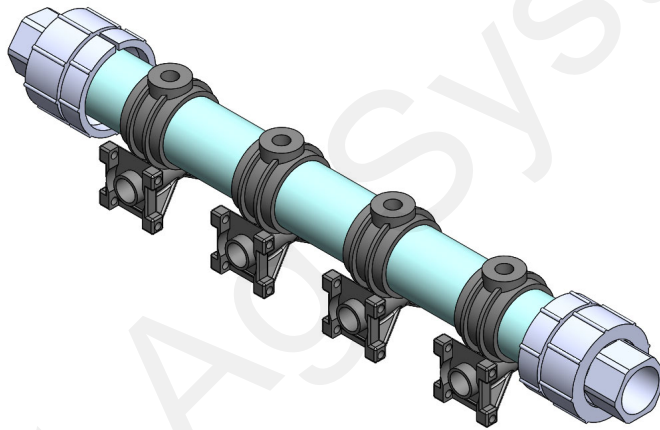
Instruction sheet for these kits: 396-2617Y1

553-02-30000: 30' 7.5" spacing

553-02-30500: 30' 10" spacing

553-02-40000: 40' 7.5" spacing

553-02-40500: 40' 10" spacing



### Stainless Steel Tubes:

270-1242A1 (below)

-Places fertilizer behind press wheel

270-1227 (below right)

-Places fertilizer before press wheel

