



396-001190

Tank Mounting Instructions

400 and 500 Gallon Elliptical Tank

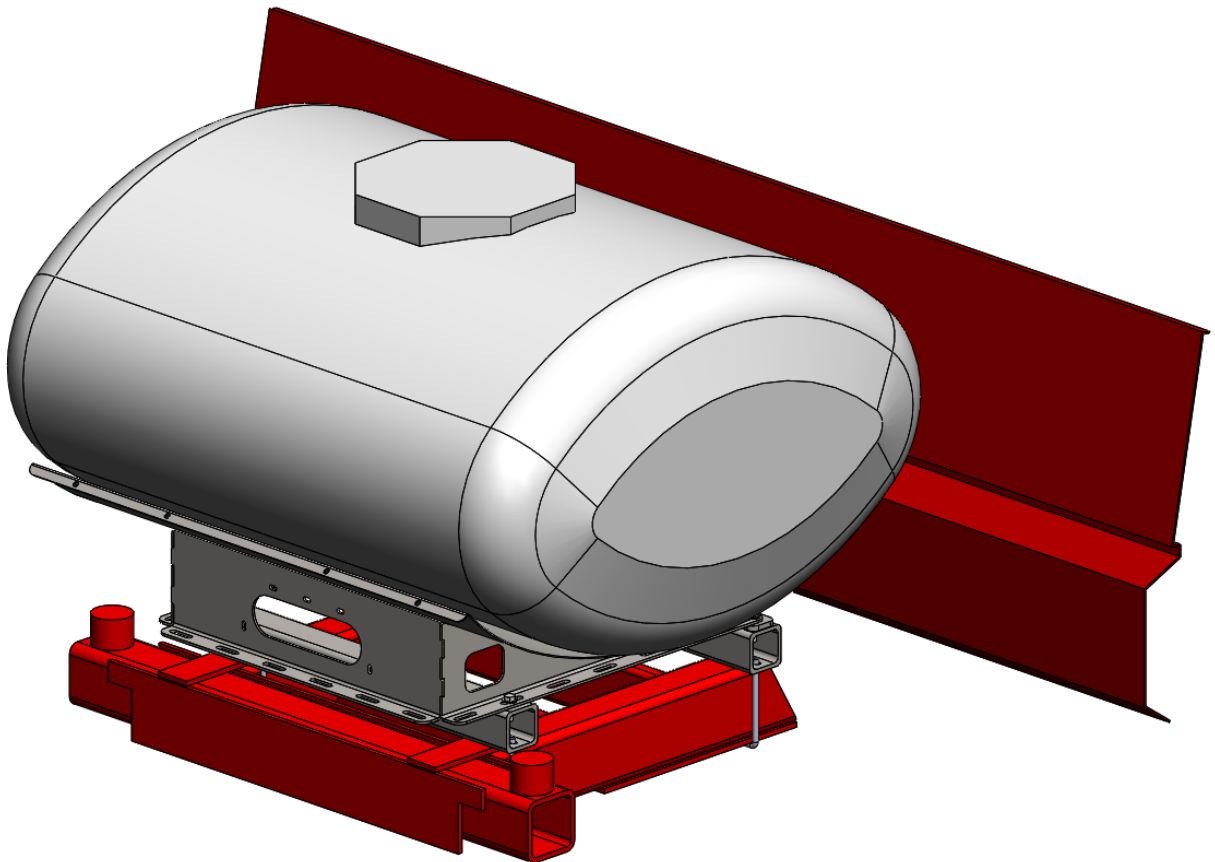
Sunflower 9434

Drill Manufacturer: **SUNFLOWER**

Kit Numbers:

551-01-100500: 400 Gallon

551-01-100750: 500 Gallon

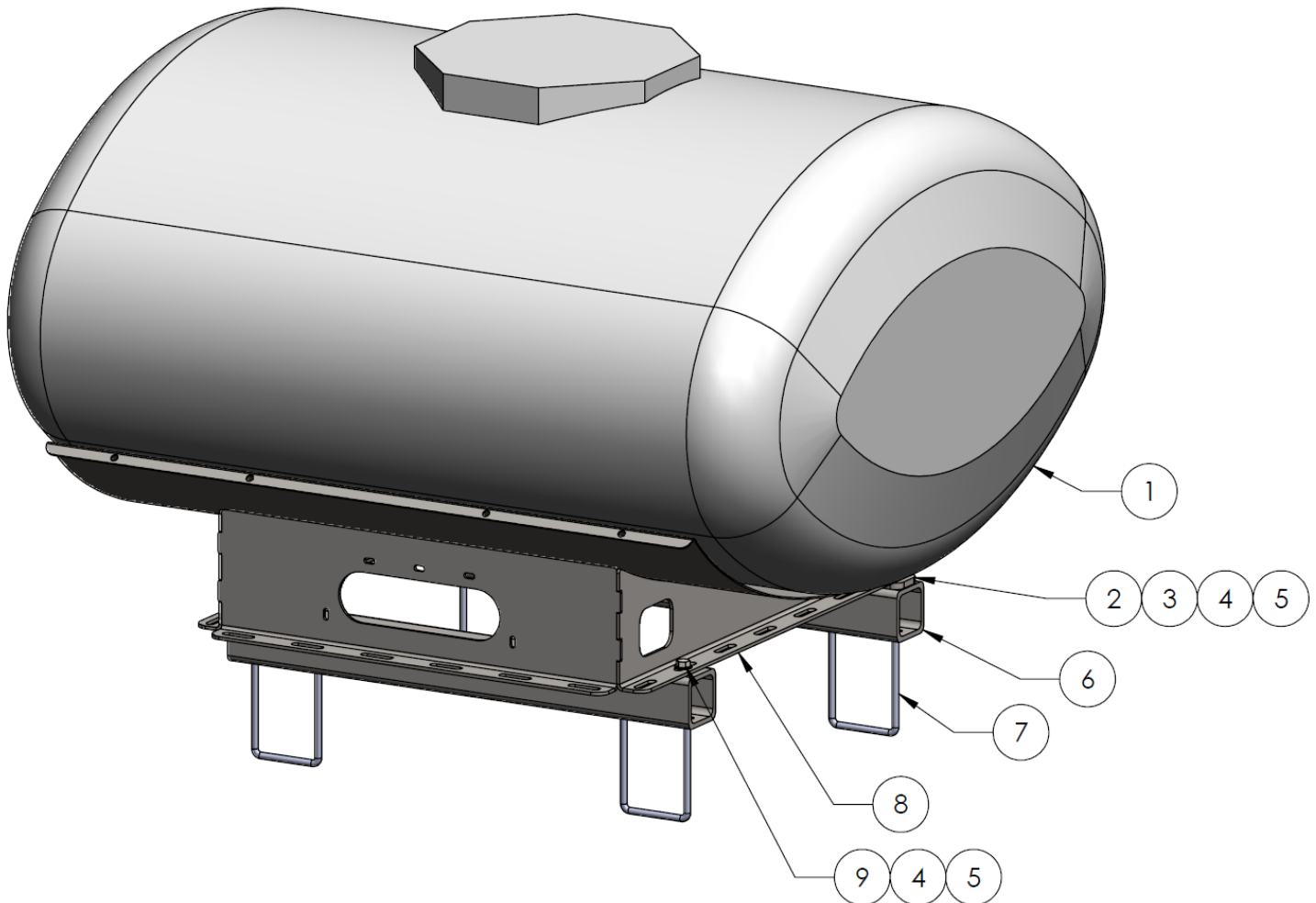




Parts List and Exploded View

551-01-100500: 400 Gallon

| ITEM NO. | PART NUMBER | DESCRIPTION | QTY. |
|----------|----------------|---|------|
| 1 | 727-01-HE00400 | Elliptical Tank - 400 Gallon | 1 |
| 2 | 421-1332A1-BK | 3" X .5" SPACER | 2 |
| 3 | 300-100208-5 | 5/8" x 2-1/2" HCS G5 | 2 |
| 4 | 330-10 | 5/8" Flat Washer | 4 |
| 5 | 323-10 | 5/8" Flange Nut | 4 |
| 6 | 421-1331A1-BK | 4" X 40" X .375" TUBING | 2 |
| 7 | 380-1014 | 1/2" x 5" x 8-1/2" Square Bend U-Bolt | 4 |
| 8 | 421-1333A2-BK | 400 Gallon Elliptical Black Cradle | 1 |
| 9 | 300-100200-5 | 5/8" x 2" HCS G5 | 2 |
| 10 | 525-3000 | 3" Tank Strap Kit for 400 - 1000 gal tank | 2 |

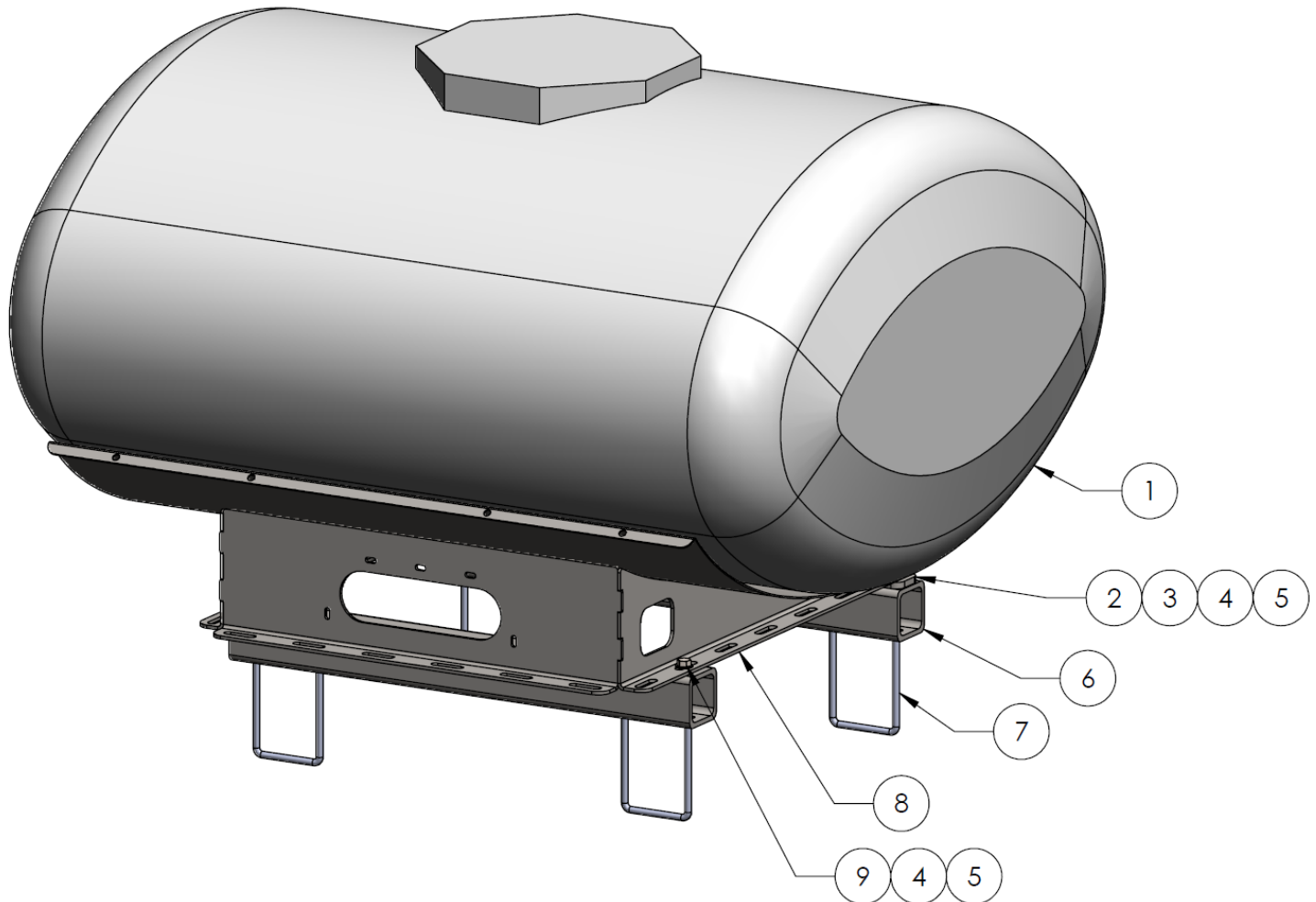




Parts List and Exploded View

551-01-100750: 500 Gallon

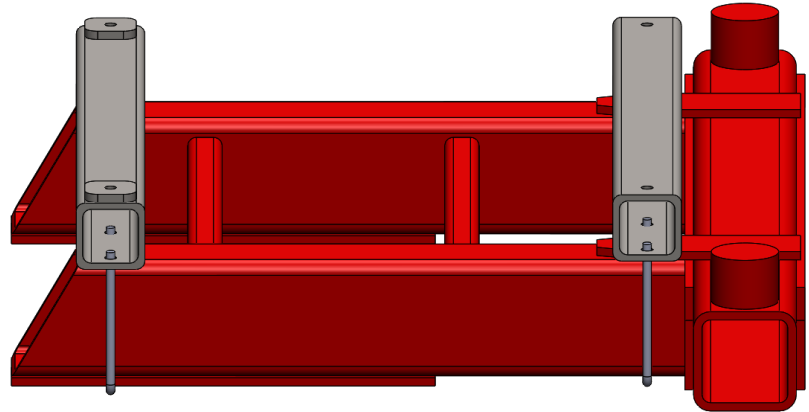
| ITEM NO. | PART NUMBER | DESCRIPTION | QTY. |
|----------|----------------|---|------|
| 1 | 727-01-HE00500 | Elliptical Tank - 500 Gallon | 1 |
| 2 | 421-1332A1-BK | 3" X .5" SPACER | 2 |
| 3 | 300-100208-5 | 5/8" x 2-1/2" HCS G5 | 2 |
| 4 | 330-10 | 5/8" Flat Washer | 4 |
| 5 | 323-10 | 5/8" Flange Nut | 4 |
| 6 | 421-2097A1-BK | 4" Tube for Sunflower 500 Gal Tank | 2 |
| 7 | 380-1029 | 1/2" U-Bolt Kit - 5" x 11-1/2" tube | 4 |
| 8 | 421-1329A2-BK | 500 Gallon Elliptical Black Cradle | 1 |
| 9 | 300-100200-5 | 5/8" x 2" HCS G5 | 2 |
| 10 | 525-3000 | 3" Tank Strap Kit for 400 - 1000 gal tank | 3 |





Step by Step Instructions

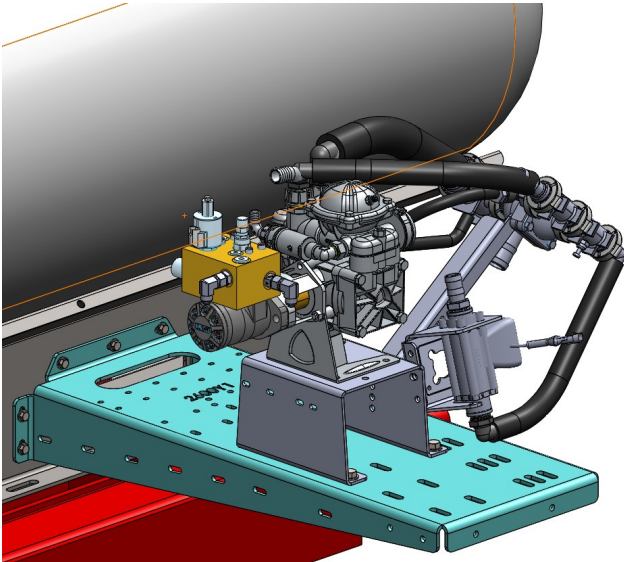
1. Loosely U-bolt the 4"x4" supports across the frame of the drill in front of the center section.
2. Set spacers on rear support. The spacers are necessary to have the tank set level with the drill frame.



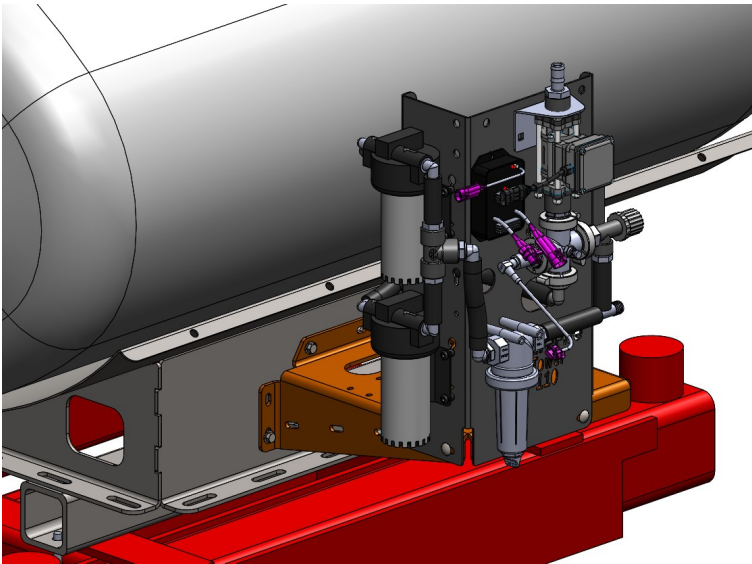
3. Set the tank cradle on the 4"x4" supports. Bolt down with 5/8" bolts (2" bolts in the front, 2-1/2" bolts in the rear), washers, and flange nuts.
4. Set and strap tank into place on the cradle. Open the center section lid to ensure that the tank does not interfere with the lid opening.
5. Tighten down U-bolts from step 1.



Optional/Related Items



PumpRight Bracket Kit
Kit Number: 515-203200
Instruction sheet for this kit:
396-2613Y1



Tower Bracket Kit
Kit Number: 511-100850
Instruction sheet for this kit:
396-2648Y1

Tank Fill Kit: 555-101350
Tower Discharge Kit: 556-1001
PumpRight Discharge Kit: 520-00-103600

Instruction Sheet: 396-2645Y1



Optional/Related Items

Manifold Kit Numbers:

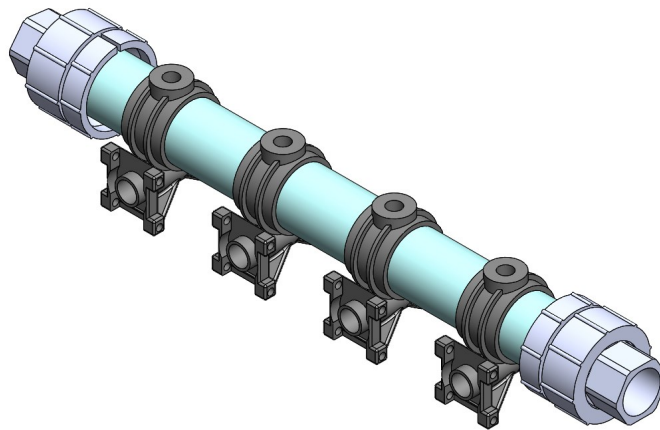
Instruction sheet for these kits: 396-2619Y1

553-01-30000: 30' 7.5" spacing

553-01-30500: 30' 10" spacing

553-01-40000: 40' 7.5" spacing

553-01-40500: 40' 10" spacing



Stainless Steel Tubes:

270-1242A1 (shown below)

270-9431-96

