



396-001090

Mercury Run/Hold Switch for SurePoint Controllers & Ag-Leader Control Module with SurePoint Harness Item Number 501-1003

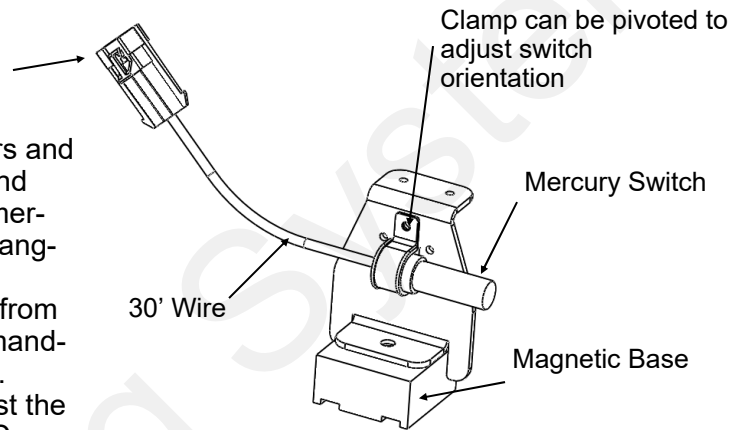
3 Pin MP Shroud Connector, wires in pins A & C only

How it Works

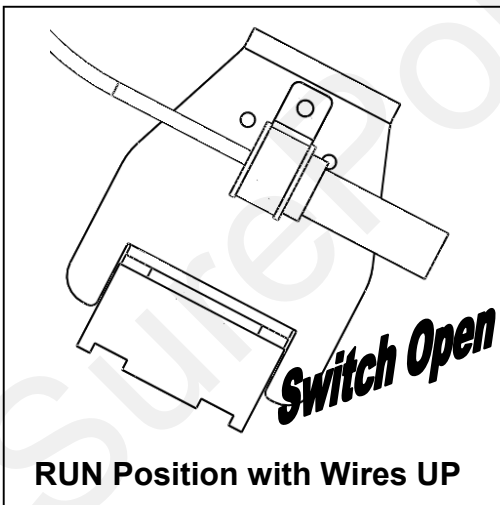
The Run/Hold circuit on SurePoint controllers and other controllers simply requires a switch to open and close to turn the fertilizer flow on or off. Place the mercury switch on a 3 point arm or wheel frame that changes angle as the implement is raised and lowered.

When the mercury in the switch flows away from the wires (wires up), the switch is open. The Commander II Controller will be in RUN and applying fertilizer.

When the mercury in the switch flows against the wires (wires down), the switch will be closed. The Commander II Controller will be in HOLD, not applying fertilizer.

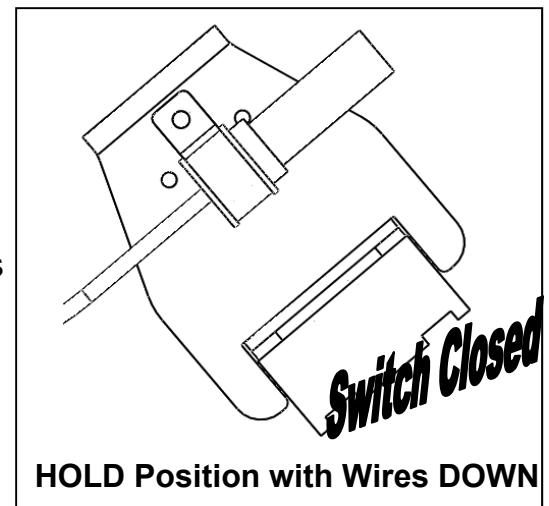


Commander II, 3405F, 3405D, DrillMaster Run/Hold Switch Mounting



Mount the Run/Hold Switch on:

- 3 point arm if in use
- Planter wheel frame that changes angle
- Drill opener frame if openers are pivoted to raise out of ground.

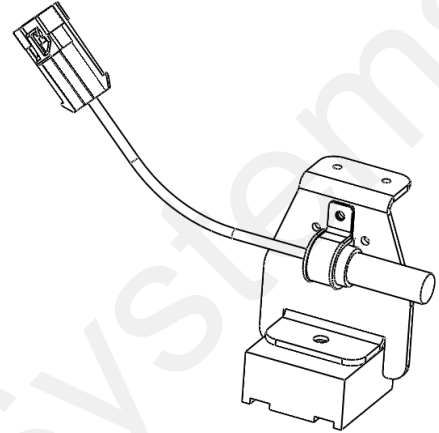


See opposite side for original Commander, APC, ProPlant, GSC-1000 & Ag-Leader mounting. Run and Hold are reversed from the pictures above.





Mercury Run/Hold Switch Troubleshooting



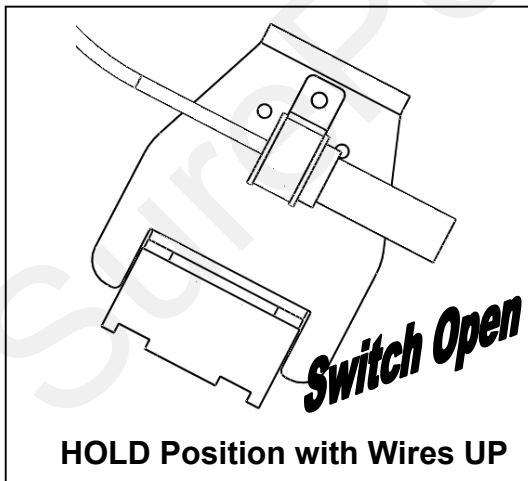
How to Test:

To test the run / hold mercury switch you will need a volt meter. Set the meter to test continuity (or ohms). With the wires down, you should have continuity between the two pins in the connector. With the wires up, the switch should be open (no continuity).

How to Adjust:

If your controller is turning off product application before or after you want, tilt the switch. If it turns off after you want when lifting the implement, tip more to the HOLD position. If product application should begin sooner when you lower the implement, tip more to the RUN position.

Reversed Logic Controller Mounting: Original Commander, APC, ProPlant, GSC-1000 & Ag-Leader Mounting Instructions



Mount the Run/Hold Switch on:

- 3 point arm if in use
- Planter wheel frame that changes angle
- Drill opener frame if openers are pivoted to raise out of ground.

