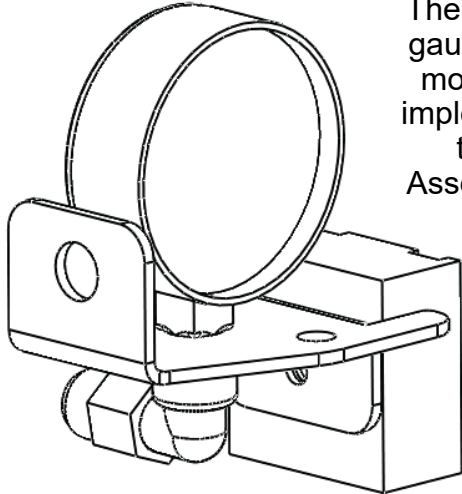




396-001080

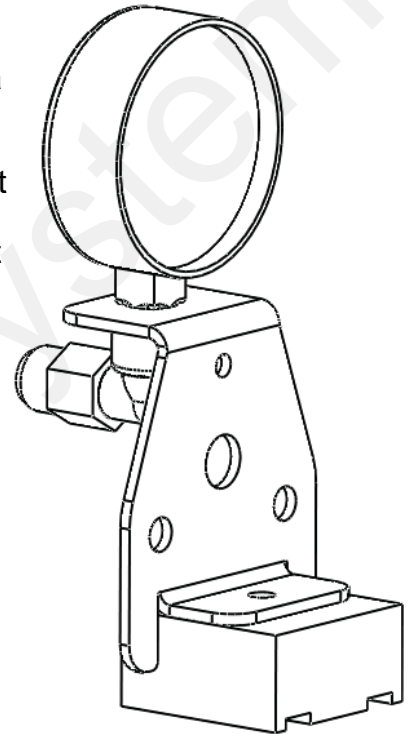
Remote Mount Pressure Gauge Kit

Kit Number: 511-1035



Side Mount Gauge

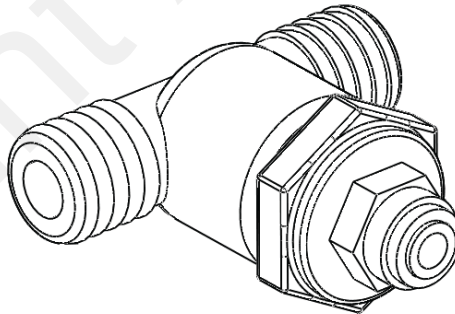
The remote pressure gauge kit includes a gauge with bracket and magnet for easily mounting in any visible location on your implement. The bracket will work to mount to the top or side of a metal frame. Assemble as shown for the mounting that works best in your application.



Top Mount Gauge

Also included in each kit are the plumbing fittings to tap into your system. Assemble the 3/4" tee, 3/4" x 1/4" reducer bushing and 1/4" quick connect adapter as shown to the right. Install this assembly in 3/4" hose prior to your manifolds and orifices.

Pressure Tap Plumbing Fittings



Finally, route the 1/4" black tubing from the tee assembly to the gauge mount location.

ITEM NO.	PART NUMBER	DESCRIPTION	QTY.
1	137-LFG60	Pressure Gauge - 2-1/2" Silicone Filled SS Gauge - 60 PSI - 1/4" MPT	1
2	521-05-250200	Magnet Mount Gauge Assembly	1
	100-025025SL-90	1/4" Street Elbow	1
	113-07-025025	QC to FPT - 1/4" QC x 1/4" FPT	1
	281-025	Bulk 1/4" OD Poly Tubing	50ft
	706-07207	Magnet - 100# Pull	1
	400-1043A2-BK	Pressure Gauge Mounting Bracket	1
	331-04	1/4" Lock Washer	1
	300-040012-5	1/4" x 3/4" Hex Head Bolt - G5	1