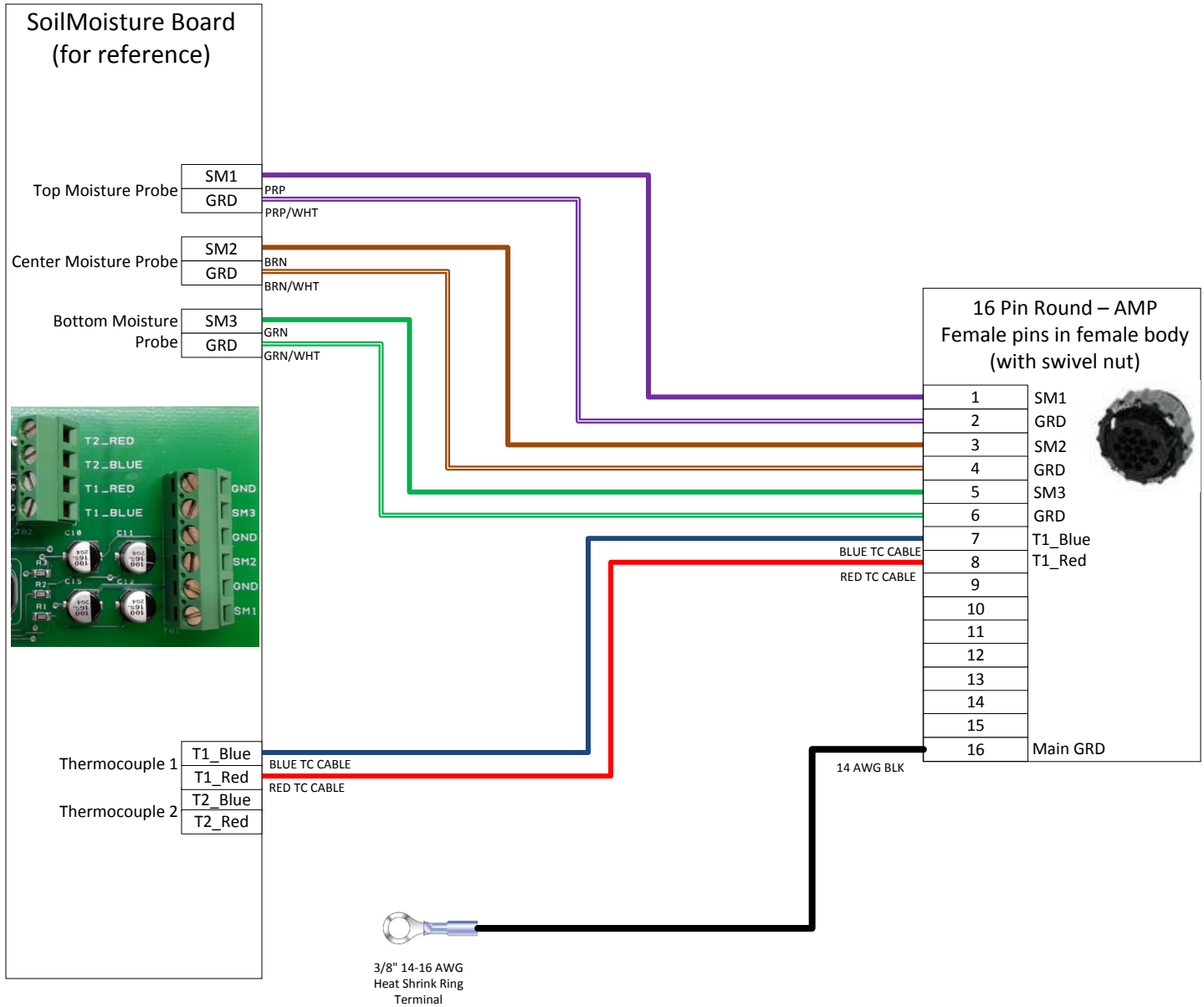



# SoilMoisture Sensor Harness

## 261-2823Y1

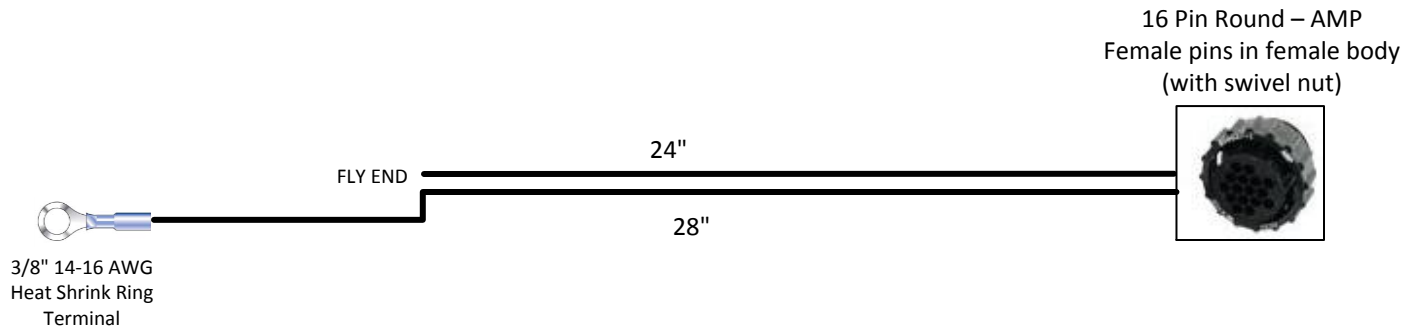
Wire Size: 18 AWG unless otherwise specified



	Part No:	SoilMoisture Sensor Harness	Drawn By:	JD Schmechel		
	Description:	261-2823Y1	Last Edit Date:	2/13/2015 2:27:34 PM	Revision	A-01
	Copyright 2014 SureFire Ag Systems, Reproduction or other use of drawing without express written permission from SureFire Ag Systems is forbidden			Page of Pages	1	of


# SoilMoisture Sensor Harness

261-2823Y1



## REVISIONS

A-01 Original Drawing

	Part No:	SoilMoisture Sensor Harness	Drawn By:	JD Schmechel		
	Description:	261-2823Y1	Last Edit Date:	2/13/2015 2:27:34 PM	Revision	A-01
	Copyright 2014 SureFire Ag Systems, Reproduction or other use of drawing without express written permission from SureFire Ag Systems is forbidden			Page of Pages	2	of 3


# SoilMoisture Sensor Harness

261-2823Y1

## 261-2823Y1

### FirstWater SoilMoisture Sensor Harness

<b>18 AWG</b>			
DT04-08PA	Purple	<b>711.2</b>	Fly End
DT04-08PA	Prp/Wht	<b>711.2</b>	Fly End
DT04-08PA	Brown	<b>711.2</b>	Fly End
DT04-08PA	Brn/Wht	<b>711.2</b>	Fly End
DT04-08PA	Green	<b>711.2</b>	Fly End
DT04-08PA	Grn/Wht	<b>711.2</b>	Fly End
<b>20AWG TC 2-Cond Cable 110-3870K86</b>			
DT04-08PA	Blue	<b>711.2</b>	Fly End
DT04-08PA	Red	<b>711.2</b>	Fly End
<b>*** STRIP fly end at 12.7 mm *****</b>			
Braiding 16" Long			
1/2" 3:1 Adhesive Lined Heat Shrink @ 2.5" Long Shrink on braid 1/2 and 1/2 on fly end side			
Connectors: Deutsch DT04-08PA 8-Contact			
1" Printable Label for Part #			
Bag Identification sticker and Quality ✓ Stickers w/ date format of mm/dd/yyyy			
Tester: O			

	Part No:	SoilMoisture Sensor Harness	Drawn By:		JD Schmechel	
	Description:	261-2823Y1	Last Edit Date:	2/13/2015 2:27:34 PM	Revision	A-01
	Copyright 2014 SureFire Ag Systems, Reproduction or other use of drawing without express written permission from SureFire Ag Systems is forbidden			Page of Pages		3 of 3