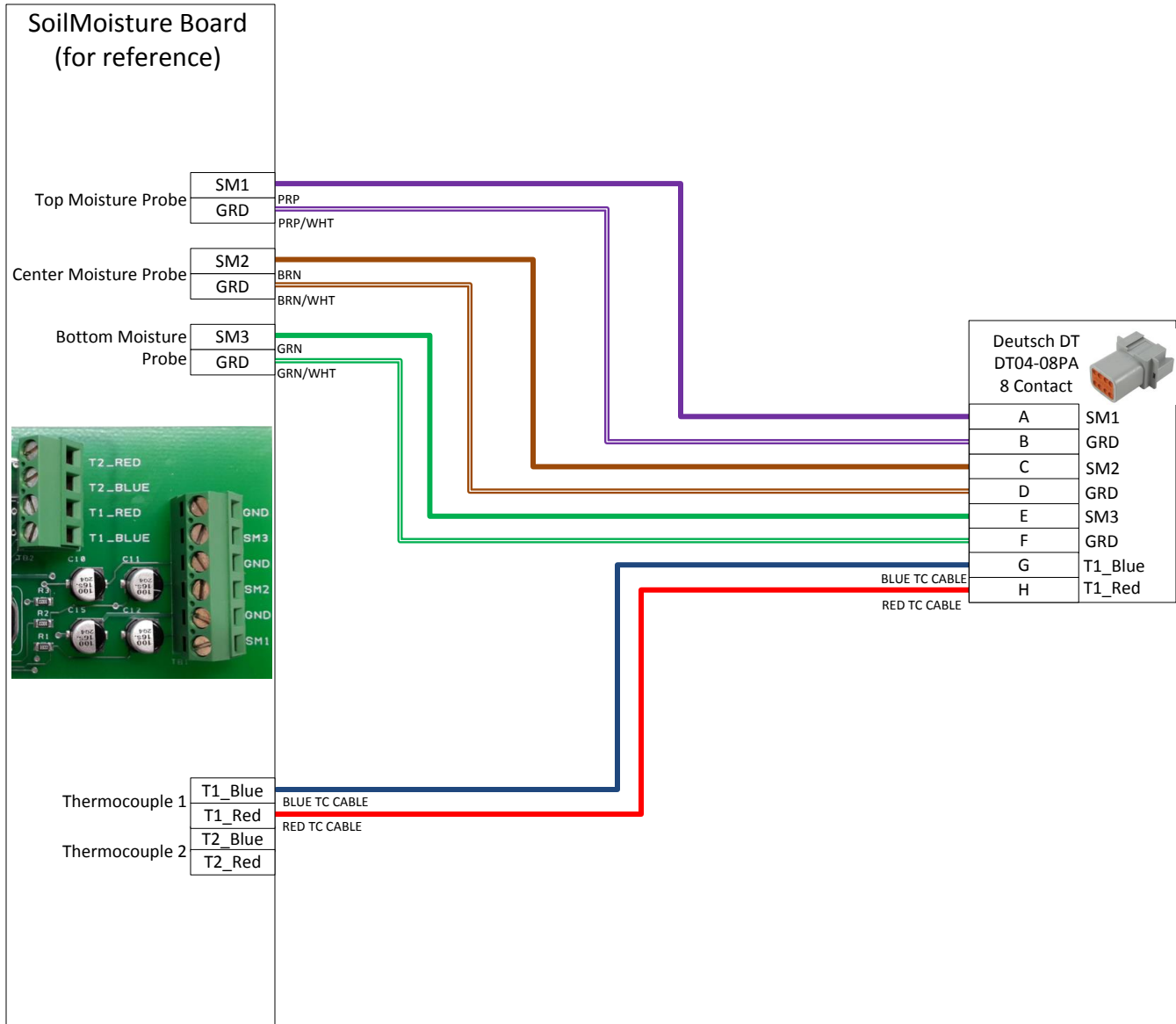



# SoilMoisture Sensor Harness

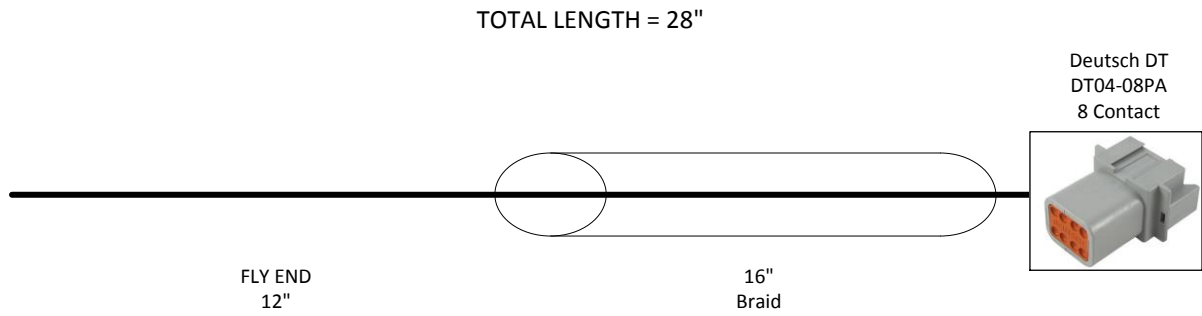
261-2823Y1

Wire Size: 18 AWG unless otherwise specified




	Part No:	SoilMoisture Sensor Harness	Drawn By:	JD Schmechel		
	Description:	261-2823Y1	Last Edit Date:	12/31/2014 1:03:09 PM	Revision	A-01
	Copyright 2014 SureFire Ag Systems, Reproduction or other use of drawing without express written permission from SureFire Ag Systems is forbidden			Page of Pages	1	of 3

# SoilMoisture Sensor Harness 261-2823Y1



## **REVISIONS**

A-01 Original Drawing

	Part No:	SoilMoisture Sensor Harness	Drawn By:	JD Schmechel		
	Description:	261-2823Y1	Last Edit Date:	12/31/2014 1:03:09 PM	Revision	A-01
	Copyright 2014 SureFire Ag Systems, Reproduction or other use of drawing without express written permission from SureFire Ag Systems is forbidden			Page of Pages	2	of 3

# SoilMoisture Sensor Harness

261-2823Y1

## 261-2823Y1

### FirstWater SoilMoisture Sensor Harness

<b>18 AWG</b>			
	DT04-08PA	Purple	711.2 Fly End
	DT04-08PA	Prp/Wht	711.2 Fly End
	DT04-08PA	Brown	711.2 Fly End
	DT04-08PA	Brn/Wht	711.2 Fly End
	DT04-08PA	Green	711.2 Fly End
	DT04-08PA	Grn/Wht	711.2 Fly End
<b>20AWG TC 2-Cond Cable 110-3870K86</b>			
	DT04-08PA	Blue	711.2 Fly End
	DT04-08PA	Red	711.2 Fly End
<b>***</b>		<b>STRIP fly end at 12.7 mm *****</b>	
Braiding 16" Long			
1/2" 3:1 Adhesive Lined Heat Shrink @ 2.5" Long Shrink on braid 1/2 and 1/2 on fly end side			
Connectors: Deutsch DT04-08PA 8-Contact			
1" Printable Label for Part #			
Bag Identification sticker and Quality ✓ Stickers w/ date format of mm/dd/yyyy			
Tester: O			



<b>Part No:</b>	SoilMoisture Sensor Harness	<b>Drawn By:</b>	JD Schmechel		
<b>Description:</b>	261-2823Y1	<b>Last Edit Date:</b>	12/31/2014 1:03:09 PM	<b>Revision</b>	A-01
Copyright 2014 SureFire Ag Systems, Reproduction or other use of drawing without express written permission from SureFire Ag Systems is forbidden		<b>Page of Pages</b>	3	of	3