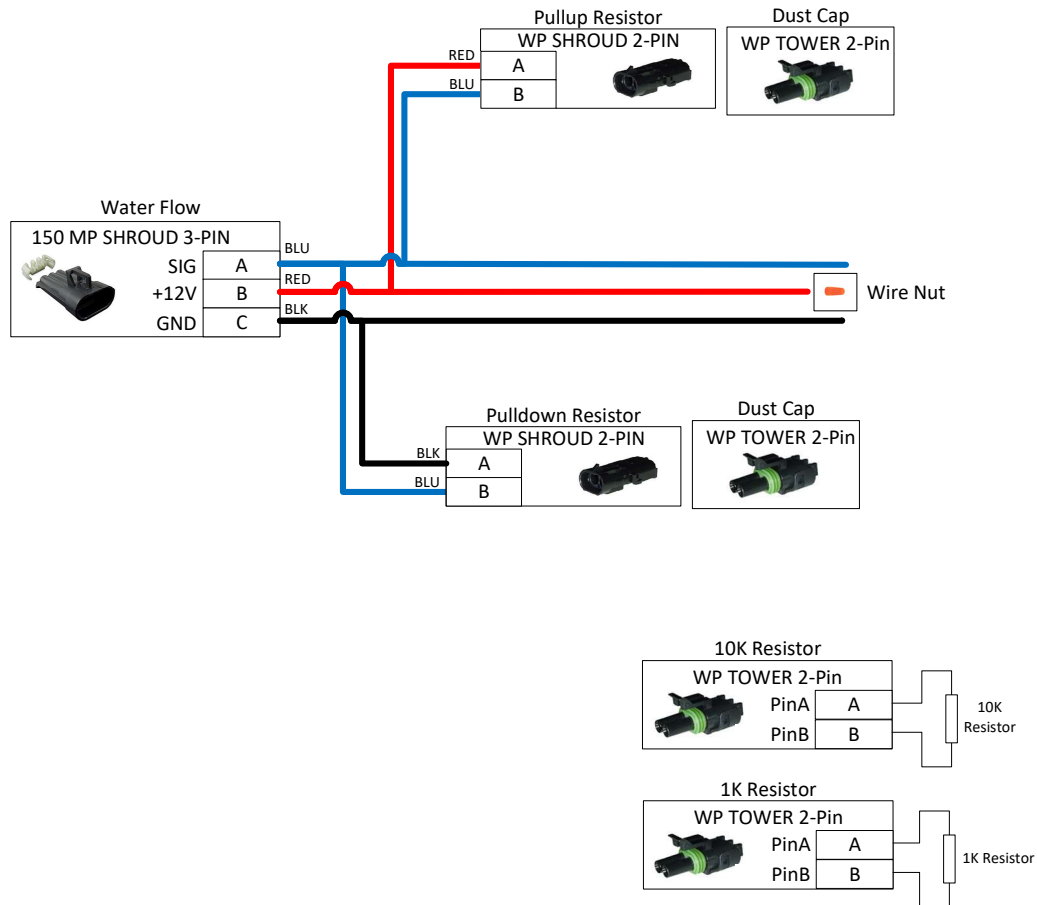



208-08-3717Y1

Marksman Pullup_Pulldown Flow Adapter

Wire 18AWG
unless otherwise
specified

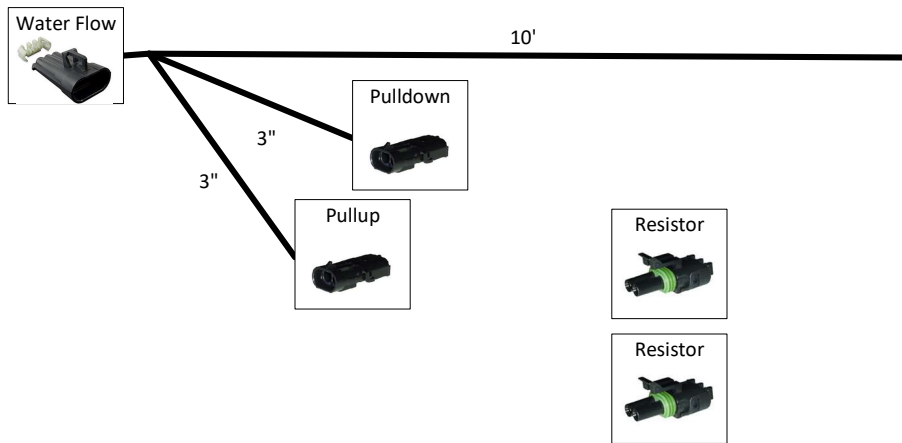


This harness can be set to pull the signal wire up to 12V or down to GND through the included resistors. The meter type must be determined before the user can wire up and use this harness. Consult Instruction Sheet 396-3723Y1 for configurations.

	Part No:	208-08-3717Y1	Drawn By:	Dirk Ricker		
	Description:	Marksman Pullup_Pulldown Flow Adapter	Last Edit Date:	10/30/2018	Revision	A-01
	Copyright 2016 SureFire Ag Systems, Reproduction or other use of drawing without express written permission from SureFire Ag Systems is forbidden			Page of Pages	1	of 2


208-08-3717Y1

Marksman Pullup_Pulldown Flow Adapter



REVISIONS

A-01 Original Drawing

	Part No:	208-08-3717Y1	Drawn By:	Dirk Ricker		
	Description:	Marksman Pullup_Pulldown Flow Adapter	Last Edit Date:	10/30/2018	Revision	A-01
	Copyright 2016 SureFire Ag Systems, Reproduction or other use of drawing without express written permission from SureFire Ag Systems is forbidden			Page of Pages	2	of 2