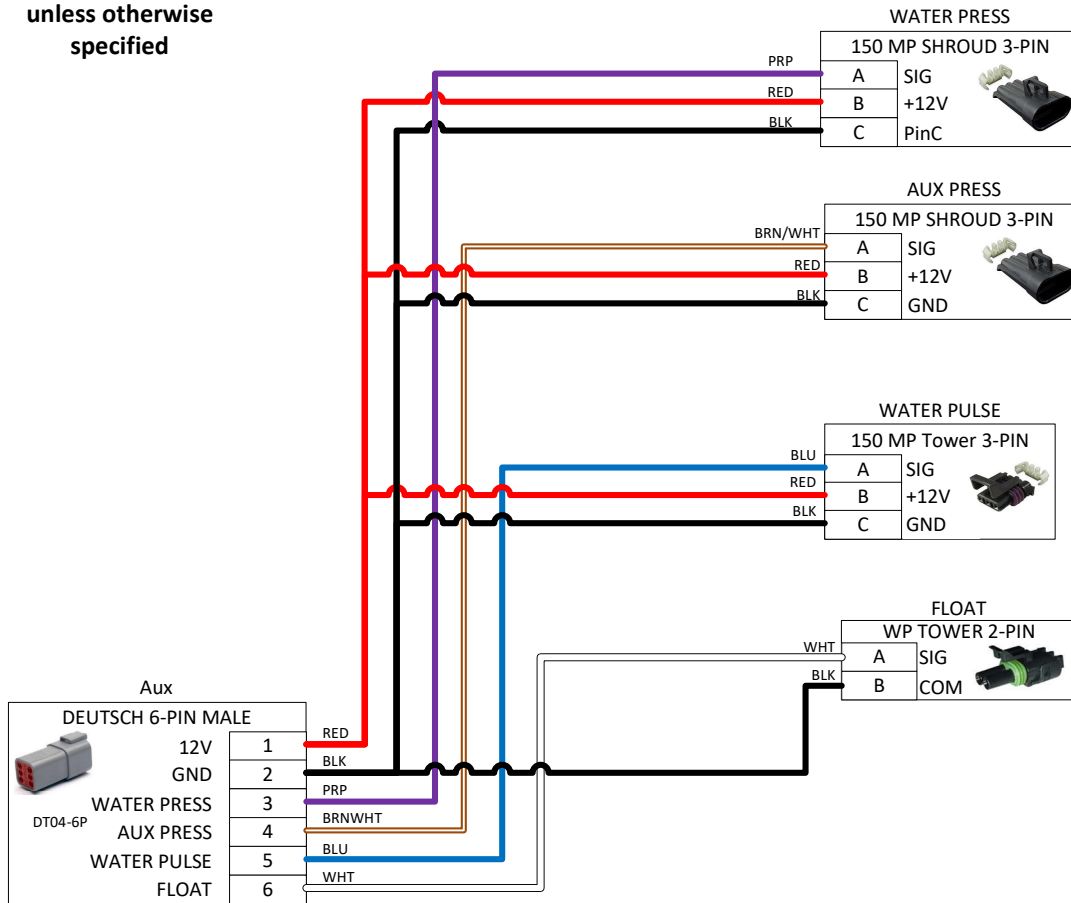



208-08-3548Y1

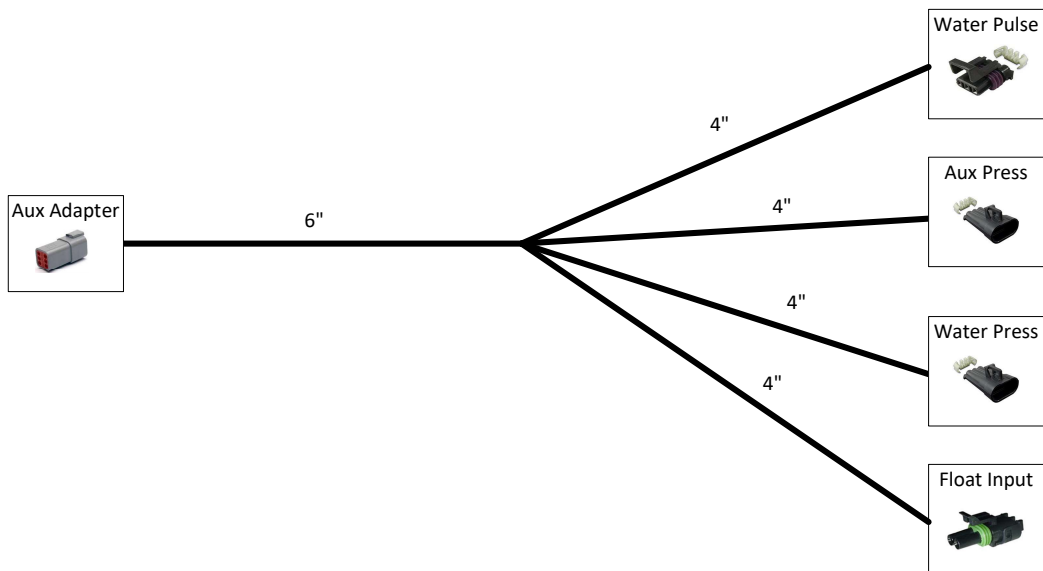
Marksman Aux Adapter

**Wire 18AWG
unless otherwise
specified**




	Part No:	208-08-3548Y1	Drawn By:	Dirk Ricker		
	Description:	Marksman Aux Adapter	Last Edit Date:	2/7/2017	Revision	A-01
	Copyright 2016 SureFire Ag Systems, Reproduction or other use of drawing without express written permission from SureFire Ag Systems is forbidden			Page of Pages	1	of 2

208-08-3548Y1
Marksman Aux Adapter



REVISIONS

A-01 Original Drawing

	Part No:	208-08-3548Y1	Drawn By:	Dirk Ricker		
	Description:	Marksman Aux Adapter	Last Edit Date:	2/7/2017	Revision	A-01
	Copyright 2016 SureFire Ag Systems, Reproduction or other use of drawing without express written permission from SureFire Ag Systems is forbidden			Page of Pages	2	of 2