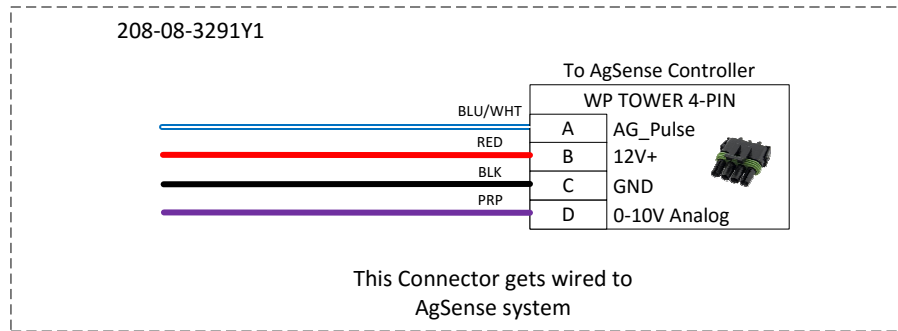
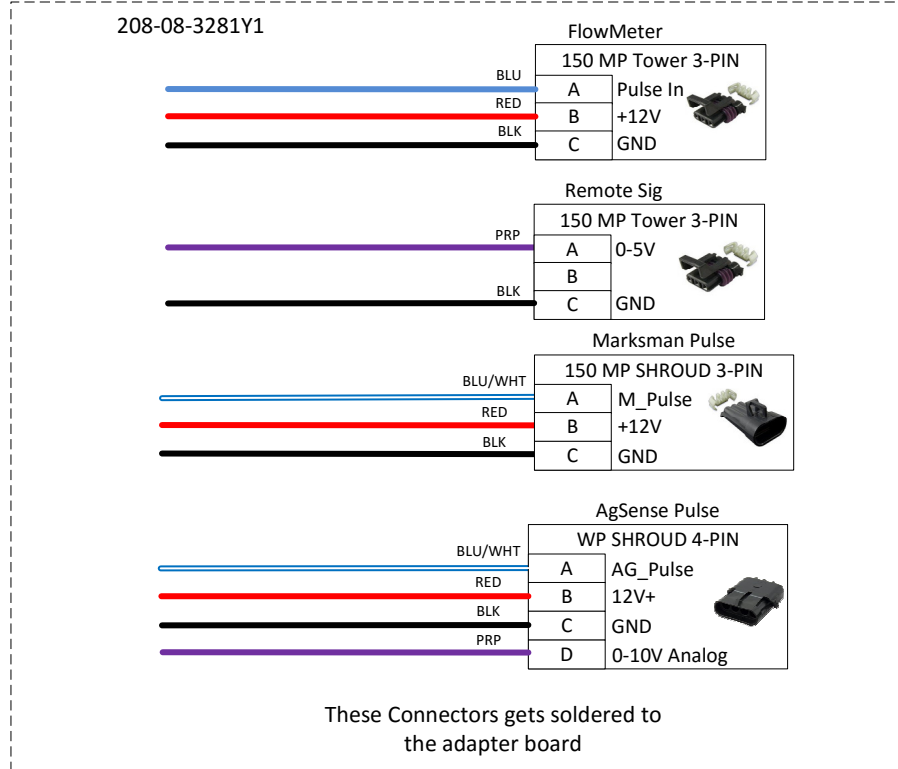


# 208-08-3281Y1 & 3291Y1

## Marksman to AgSense Adapter

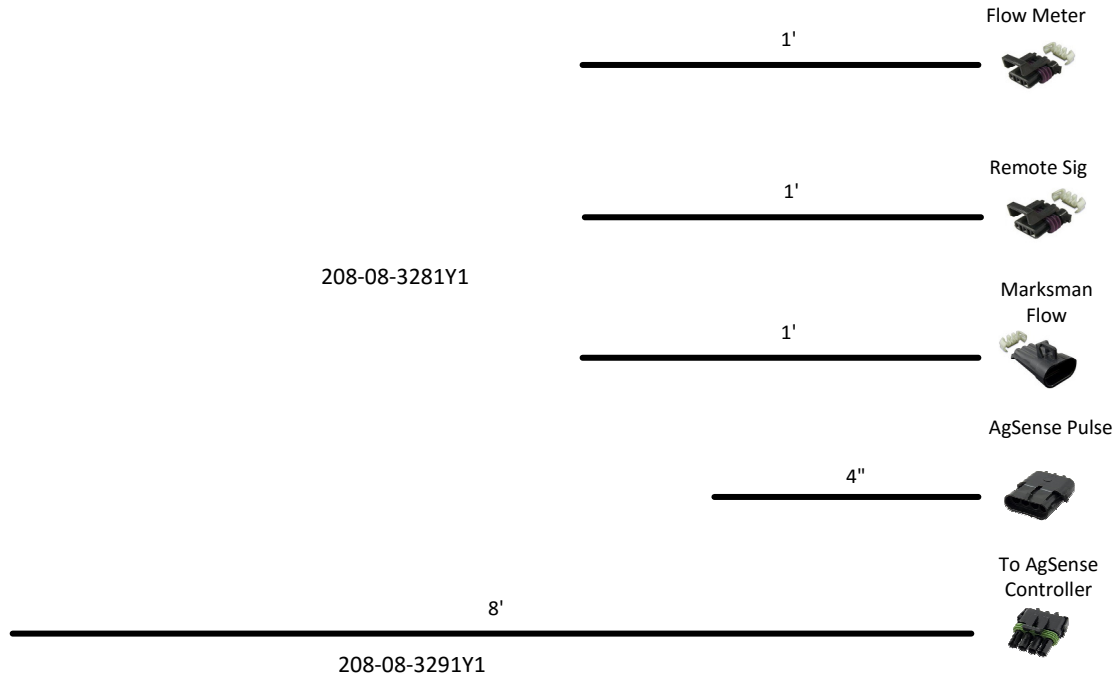
Wire Size: 18 AWG unless otherwise specified

Preferred strip length: 0.3"




|   |                             |                        |                         |                 |      |
|---|-----------------------------|------------------------|-------------------------|-----------------|------|
| <b>Part No:</b>   | 208-08-3281Y1 & 3291Y1      | <b>Drawn By:</b>       | Dirk Ricker             |                 |      |
| <b>Description:</b>   | Marksman to AgSense Adapter | <b>Last Edit Date:</b> | 4/6/2016<br>11:04:36 AM | <b>Revision</b> | A-01 |
| Copyright 2016 SureFire Ag Systems, Reproduction or other use of drawing without express written permission from SureFire Ag Systems is forbidden |                             | <b>Page of Pages</b>   | 1                       | of              | 3    |

# 208-08-3281Y1 & 3291Y1 Marksman to AgSense Adapter




## REVISIONS

A-01 Original Drawing

|  |   |                             |                 |                         |          |      |
|--|---|-----------------------------|-----------------|-------------------------|----------|------|
|  | Part No:  | 208-08-3281Y1 & 3291Y1      | Drawn By:       | Dirk Ricker             |          |      |
|  | Description:  | Marksman to AgSense Adapter | Last Edit Date: | 4/6/2016<br>11:04:36 AM | Revision | A-01 |
|  | Copyright 2015 SureFire Ag Systems, Reproduction or other use of drawing without express written permission from SureFire Ag Systems is forbidden |                             |                 | Page of Pages           | 2        | of 3 |

208-08-3281Y1 & 3291Y1  
Marksman to AgSense Adapter

|  |   |                             |                 |                         |          |      |
|--|---|-----------------------------|-----------------|-------------------------|----------|------|
|  | Part No:  | 208-08-3281Y1 & 3291Y1      | Drawn By:       | Dirk Ricker             |          |      |
|  | Description:  | Marksman to AgSense Adapter | Last Edit Date: | 4/6/2016<br>11:04:36 AM | Revision | A-01 |
|  | Copyright 2015 SureFire Ag Systems, Reproduction or other use of drawing without express written permission from SureFire Ag Systems is forbidden |                             |                 | Page of Pages           | 3        | of 3 |