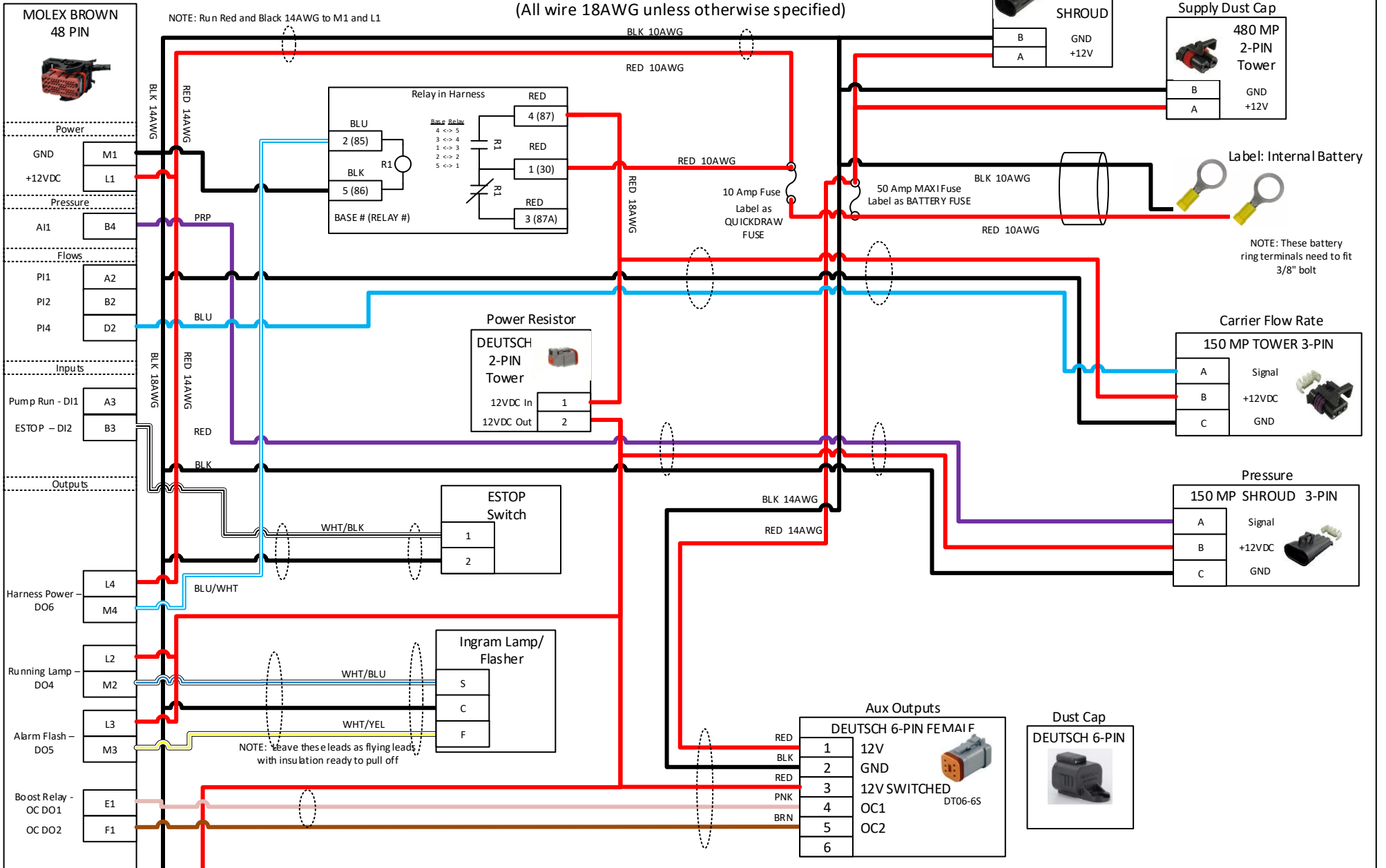


208-05-2326Y5; *3273Y2; *3228Y2

QuickDraw Wiring Diagram

(All wire 18AWG unless otherwise specified)



Continued to page 2

	Part No:	208-05-2326Y5; *3273Y2; *3228Y2	Drawn By:	Albert E. Popp		
	Description:	QuickDraw Wiring Diagram	Last Edit Date:	10/1/2018 4:13:37 PM	Revision	L
	Copyright 2014 SureFire Ag Systems, Reproduction or other use of drawing without express written permission from SureFire Ag Systems is forbidden			Page of Pages	1 of 3	

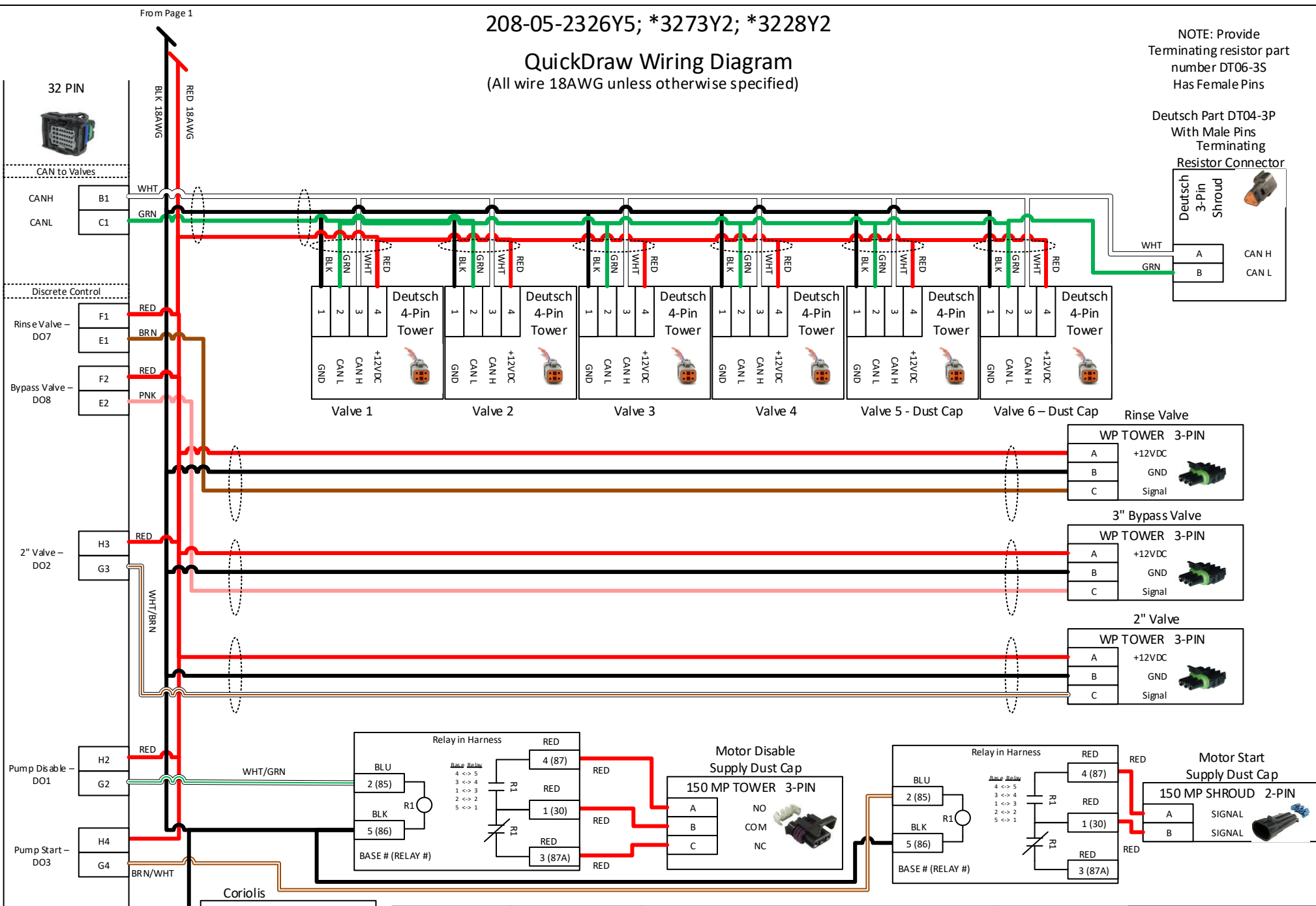
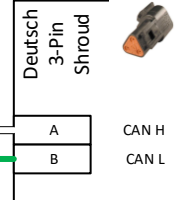
208-05-2326Y5; *3273Y2; *3228Y2

QuickDraw Wiring Diagram

(All wire 18AWG unless otherwise specified)

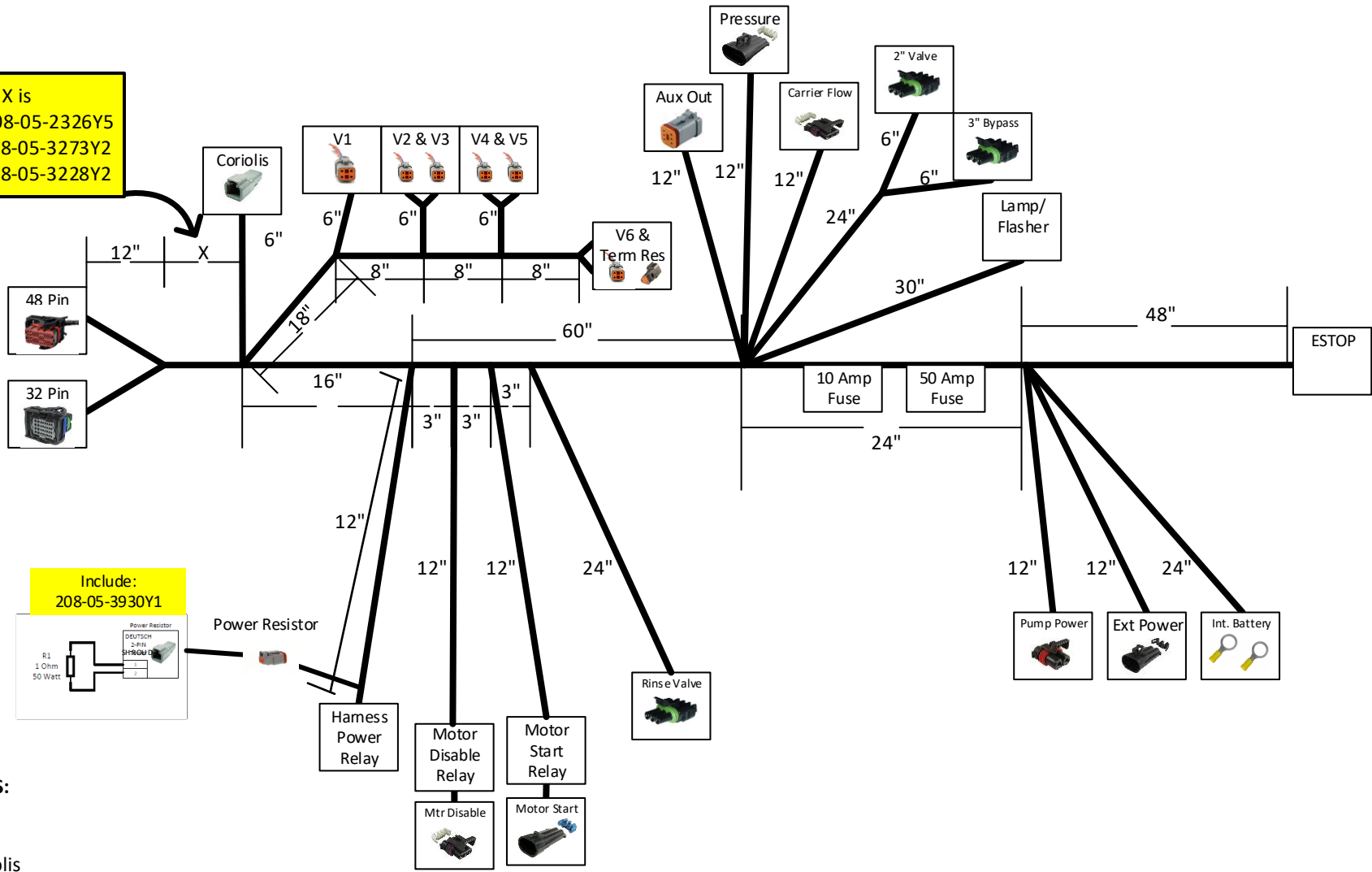
NOTE: Provide Terminating resistor part number DT06-3S Has Female Pins

Deutsch Part DT04-3P With Male Pins Terminating Resistor Connector



Part No:	208-05-2326Y5; *3273Y2; *3228Y2	Drawn By:	Albert E. Popp	
Description:	QuickDraw Wiring Diagram	Last Edit Date:	10/1/2018 4:13:37 PM	Revision
Copyright 2014 SureFire Ag Systems, Reproduction or other use of drawing without express written permission from SureFire Ag Systems is forbidden		Page of Pages	2	of 3

This length X is
 12in. for 208-05-2326Y5
 10ft. for 208-05-3273Y2
 25ft. for 208-05-3228Y2



Include:
 208-05-3930Y1

Revision NOTES:

- A – Original
- B – Unknown
- C – Added Coriolis
- D – Removed Turbine and Mag flow, Changed lengths for new Mass Meter Based QuickDraw
- E – Added Fuse to Battery connections
- F – Changed new fuse to 40Amp instead of 10Amp and added labels for fuse
- G – 4/22/2015 - Changed new fuse to 50Amp instead of 40Amp and split controller and pump power voltages
- H – 6/7/2017 – Rev Y2, Added open collector outputs to the harness
- I – 6/5/2017 – Rev Y3, Changed Aux outputs to include switched power
- J – 8/25/2017 – Rev Y4, Changed lengths and grouping for better fit, same pinout as Y3
- K – 2-19-2018 – Y5; Added a power resistor to the output of the power relay. Whole system, except for carrier flow, goes through resistor.
- L – 9-21-2018 Added extended length options.

	Part No:	208-05-2326Y5; *3273Y2; *3228Y2	Drawn By:	Albert E. Popp		
	Description:	QuickDraw Wiring Diagram	Last Edit Date:	10/1/2018 4:13:37 PM	Revision	L
	Copyright 2014 SureFire Ag Systems, Reproduction or other use of drawing without express written permission from SureFire Ag Systems is for bidden			Page of Pages	3	of 3