

201-2813Y1

Wire Size: 18 AWG unless otherwise specified

37 Pin to 6 Section A and 6 Section B Valves

Length:

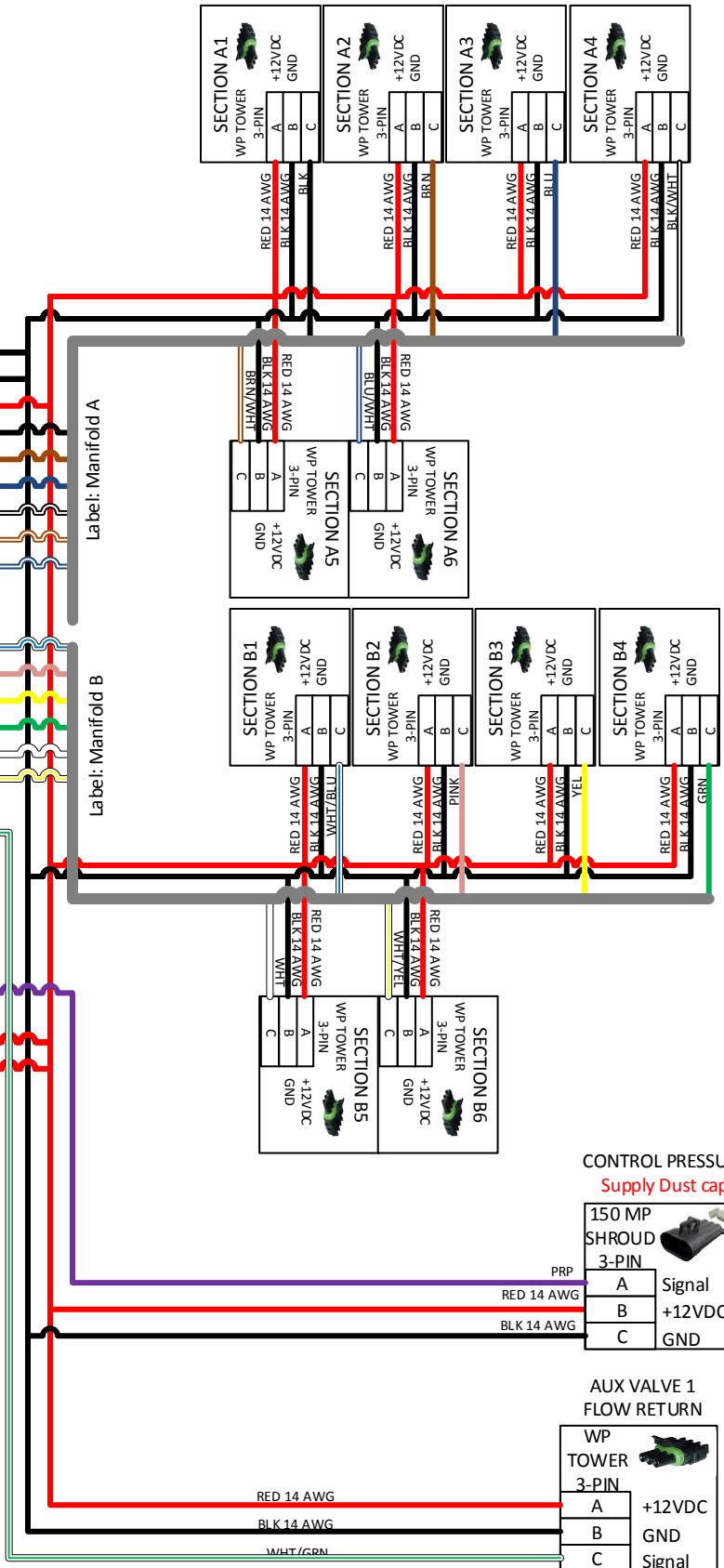
37 Pin Round – AMP Male pins in male body (with threads for swivel nut)

- Valve GND 1
- Valve GND 2
- Valve Power 3
- Section A1 4
- Section A2 5
- Section A3 6
- Section A4 7
- Section A5 8
- Section A6 9
- Section A7 10
- Section A8 11
- Section B1 12
- Section B2 13
- Section B3 14
- Section B4 15
- Section B5 16
- Section B6 17
- Section B7 18
- Flow Return 19
- Section B8 20

- Pressure 1 Signal 31
- Pressure 2 Signal 35
- Power 36
- Power 37



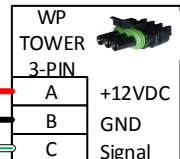
Provide dust caps for WP and MP connectors



CONTROL PRESSURE
Supply Dust cap



AUX VALVE 1
FLOW RETURN



Supply Dust cap

	Project:	201-2813Y1	Drawn By:	Albert Popp
	Filename:	37 Pin to 6 Section A and 6 Section B Valves	Date:	2/19/2011
	Copyright 2012-2013 SureFire Ag Systems		Page of Pages	1 of 1