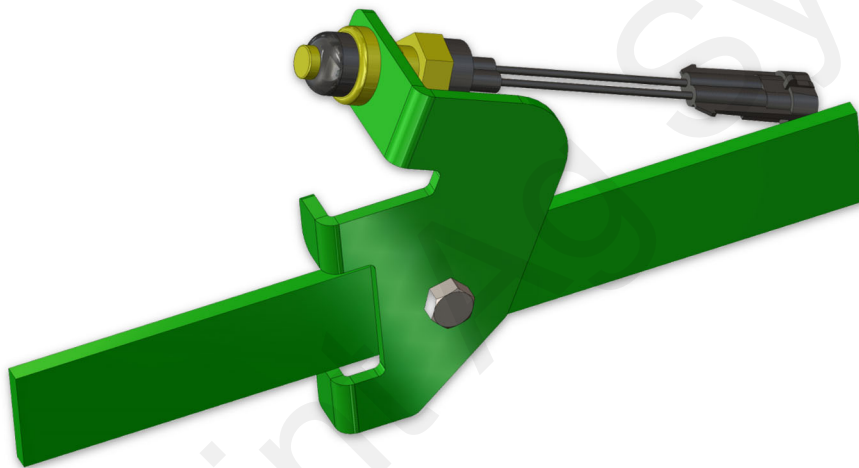




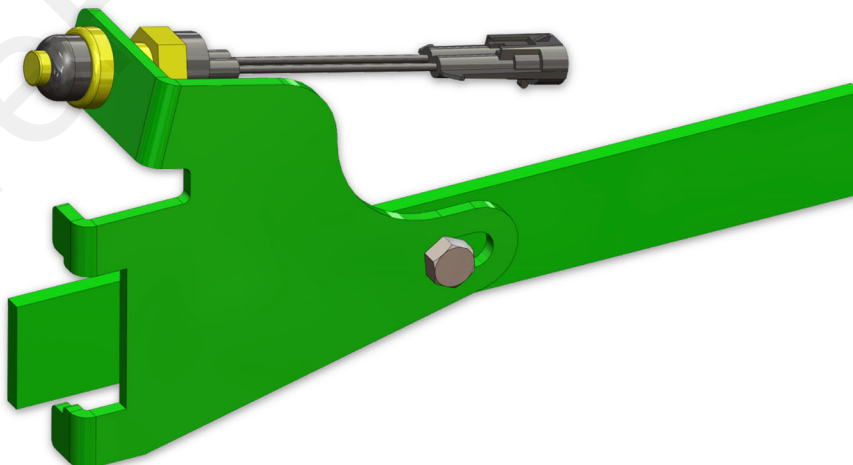
# 396-3094Y1

## John Deere Planters Push Button Switch Bracket Instructions for Short and Long Parallel Linkage Bars

**Short Parallel Linkage Bar  
Kit: 501-100520**



**Long Parallel Linkage Bar  
Kit: 501-100525**





# Kit: 501-100520

## Parts List

ITEM NO.	PART NUMBER	DESCRIPTION	QTY.
1	400-2754Y1	On/Off Button Bracket for Short Parallel Arm Linkage Config	1
2	705-21-541	Momentary Switch - Normally On (Push to Off)	1
3	300-060200-5	3/8" x 2" Bolt G5	1
4	323-06	3/8" Flange Nut	1



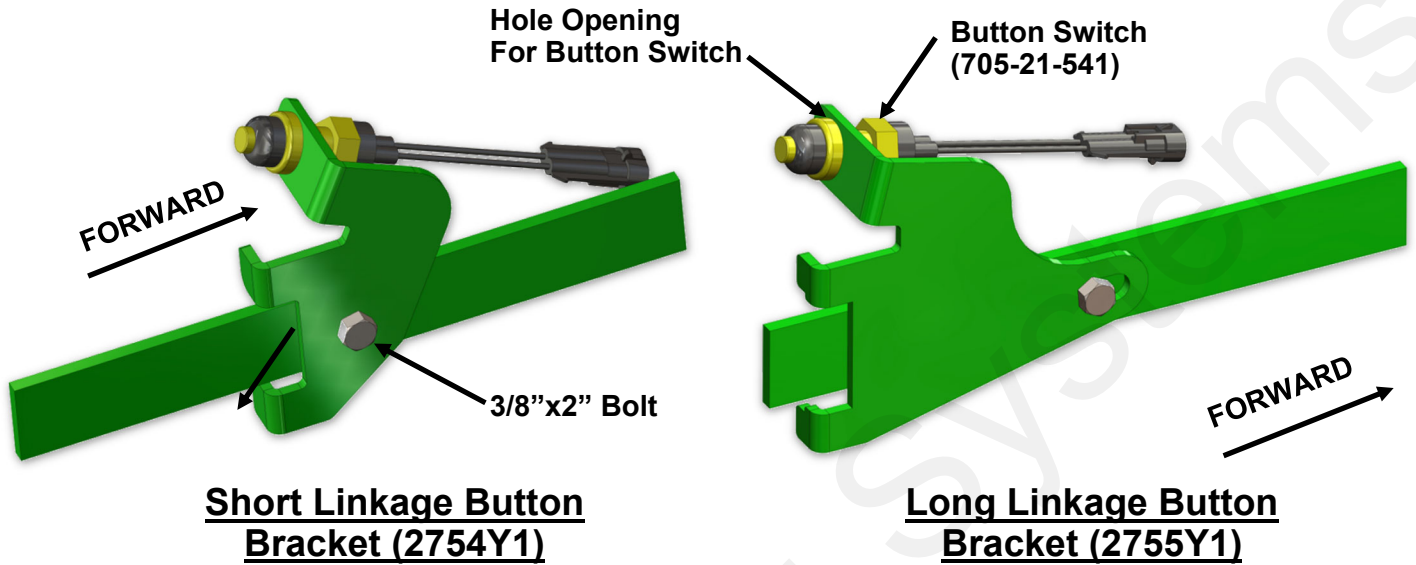
# Kit: 501-100525

## Parts List

ITEM NO.	PART NUMBER	DESCRIPTION	QTY.
1	400-2755Y1	On/Off Button Bracket for Long Parallel Arm Linkage Config	1
2	705-21-541	Momentary Switch - Normally On (Push to Off)	1
3	300-060200-5	3/8" x 2" Bolt G5	1
4	323-06	3/8" Flange Nut	1



# Step by Step Instructions for Installing Switch Button Brackets



1. Use Bracket 400-2754Y1 for Short Parallel Linkage Bar Planter Setups. Use Bracket 400-2755Y1 Brackets for Long Parallel Linkage Bar Planter Setups.
2. Insert Button into Hole Opening of Bracket as shown in pictures above.
3. Mount Bracket using 3/8"X2" Bolt and Flange Nut to Mounting Hole Location shown in picture below.

