



396-5035Y1

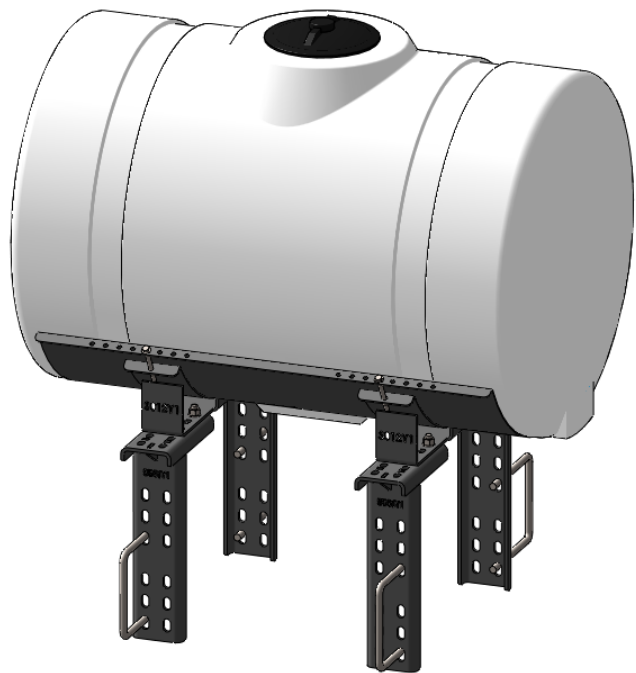
Kinze 3600/3605 Wing Tank Mounting Instructions

Planter Manufacturer: **KINZE**

- Kit Number: 530-03-300150 (150 Gallon Round)
- Kit Number: 530-03-300200 (200 Gallon Round)
- Kit Number: 530-03-300210 (200 Gallon Elliptical)
- Kit Number: 530-03-300300 (150 Gallon Round - Row Box Split Row)
- Kit Number: 530-03-300325 (100 Gallon Round - Row Box Split Row)
- Kit Number: 530-03-300350 (100 Gallon Round - Row Box Split Row)
- Kit Number: 530-03-300400 (200 Gallon Round - Low Profile)



150 Gal Round

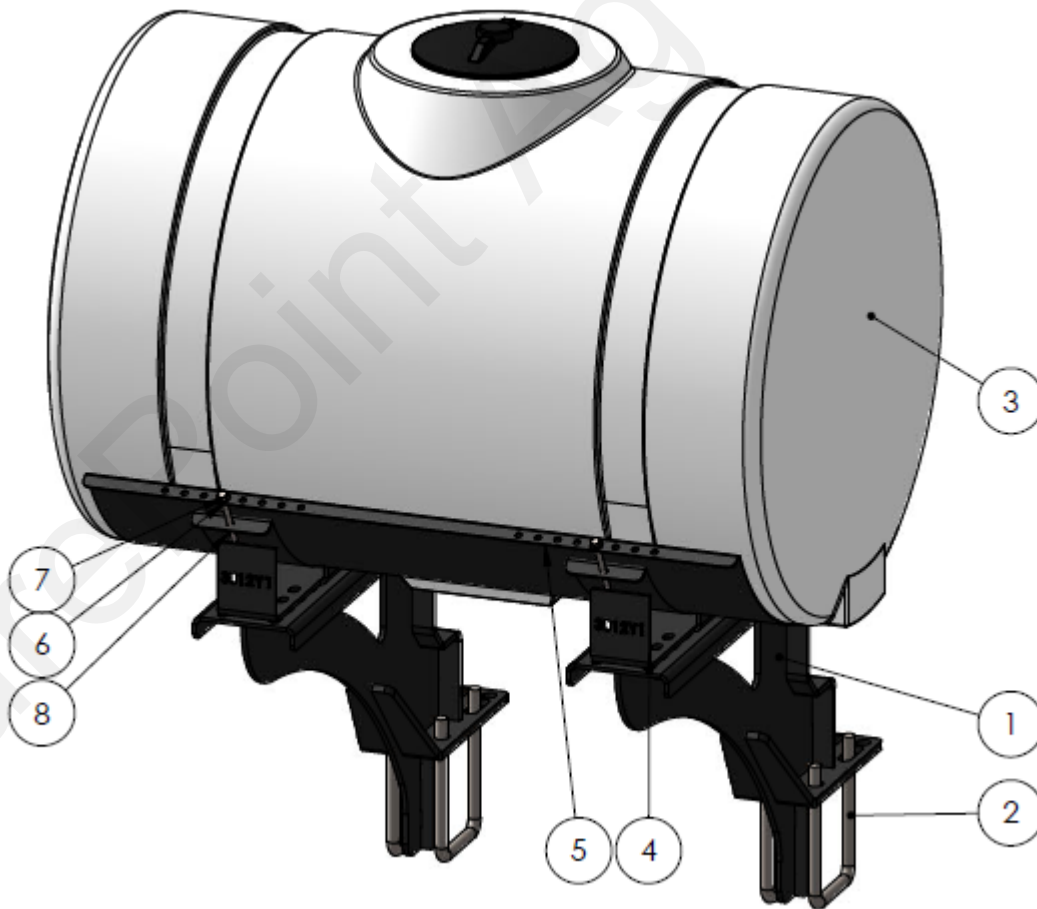


150 Gal Split Row



Parts List and Exploded View 530-03-300150

ITEM NO.	PART NUMBER	DESCRIPTION	QTY.
1	420-4724Y1	Kinze 16R Wing Mount Tank Bracket	2
2	380-1073	3/4" U-bolt Kit - fits 5" x 7-1/2" tube	4
3	727-02-HZ0150-32-W	Horizontal Tank - 150 Gal - White - 32"	1
4	420-3012Y1	32"Ø Tank Saddle	2
5	420-3003Y1	150 Gallon Round Support Sheet	1
6	330-06	3/8" Flat Washer	8
7	300-060400-5	3/8" x 4" Hex Head Bolt - G5	4
8	321-06	3/8" Nylock Nut	4
9	525-2055	2" Tank Strap Kit	2
10	300-080108-5	1/2" x 1-1/2" Hex Head Bolt - G5	8
11	330-08	1/2" Flat Washer	8
12	323-08	1/2" Flange Nut	8

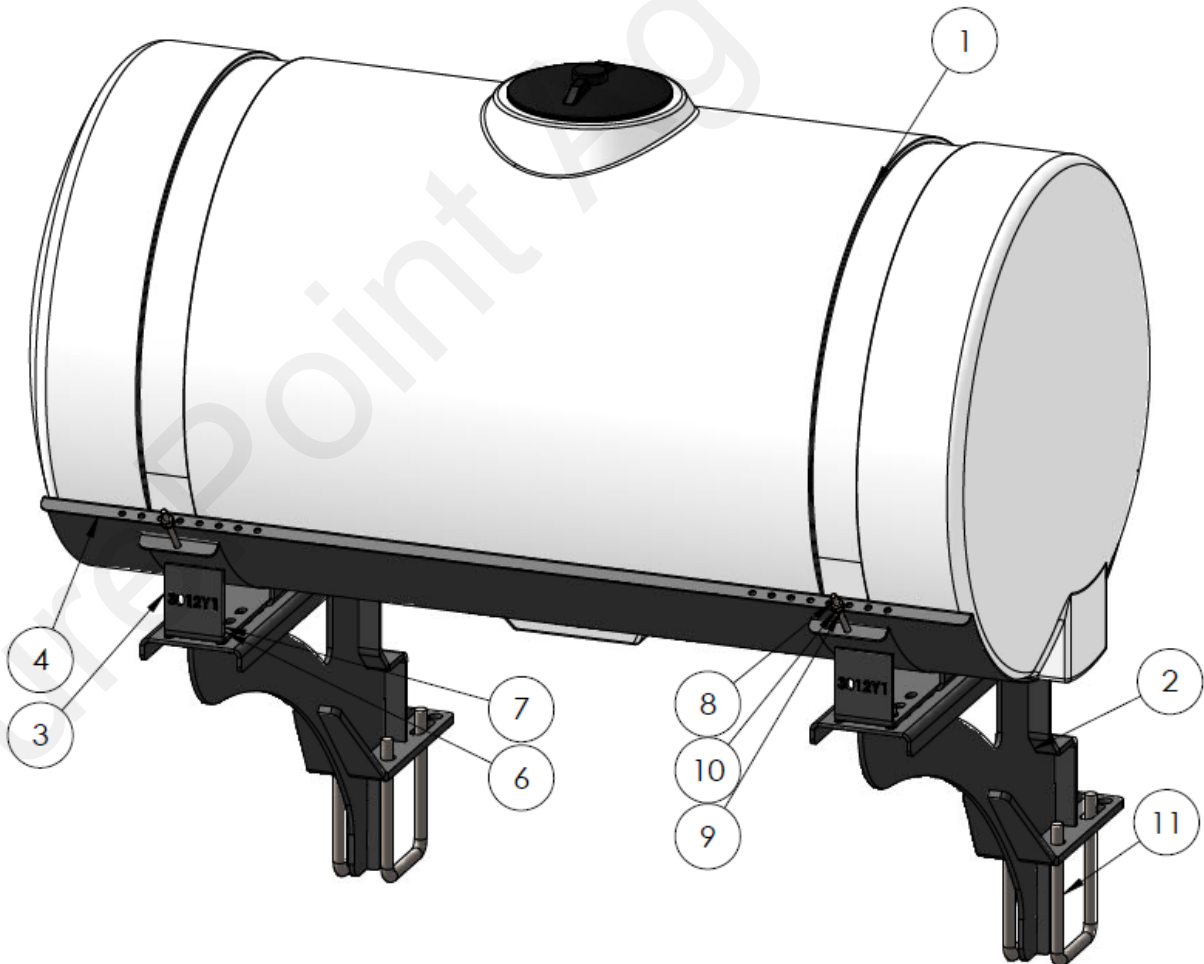




Parts List and Exploded View

530-03-300200

ITEM NO.	PART NUMBER	DESCRIPTION	QTY.
1	727-02-HZ0200-32-W	Horizontal Tank - 200 Gal - White - 32"	1
2	420-4724Y1	Kinze 16R Wing Mount Tank Bracket	2
3	420-3012Y1	32"Ø Tank Saddle	2
4	420-3002Y1	200 Gallon Round Support Sheet	1
5	300-080108-5	1/2" x 1-1/2" Hex Head Bolt - G5	8
6	330-08	1/2" Flat Washer	8
7	323-08	1/2" Flange Nut	8
8	300-060400-5	3/8" x 4" Hex Head Bolt - G5	4
9	330-06	3/8" Flat Washer	4
10	323-06	3/8" Flange Nut	4
11	380-1073	3/4" U-bolt Kit - fits 5" x 7-1/2" tube (5" opening)	4
12	525-2055	2" Strap Kit for Tanks under 300 Gallon	2

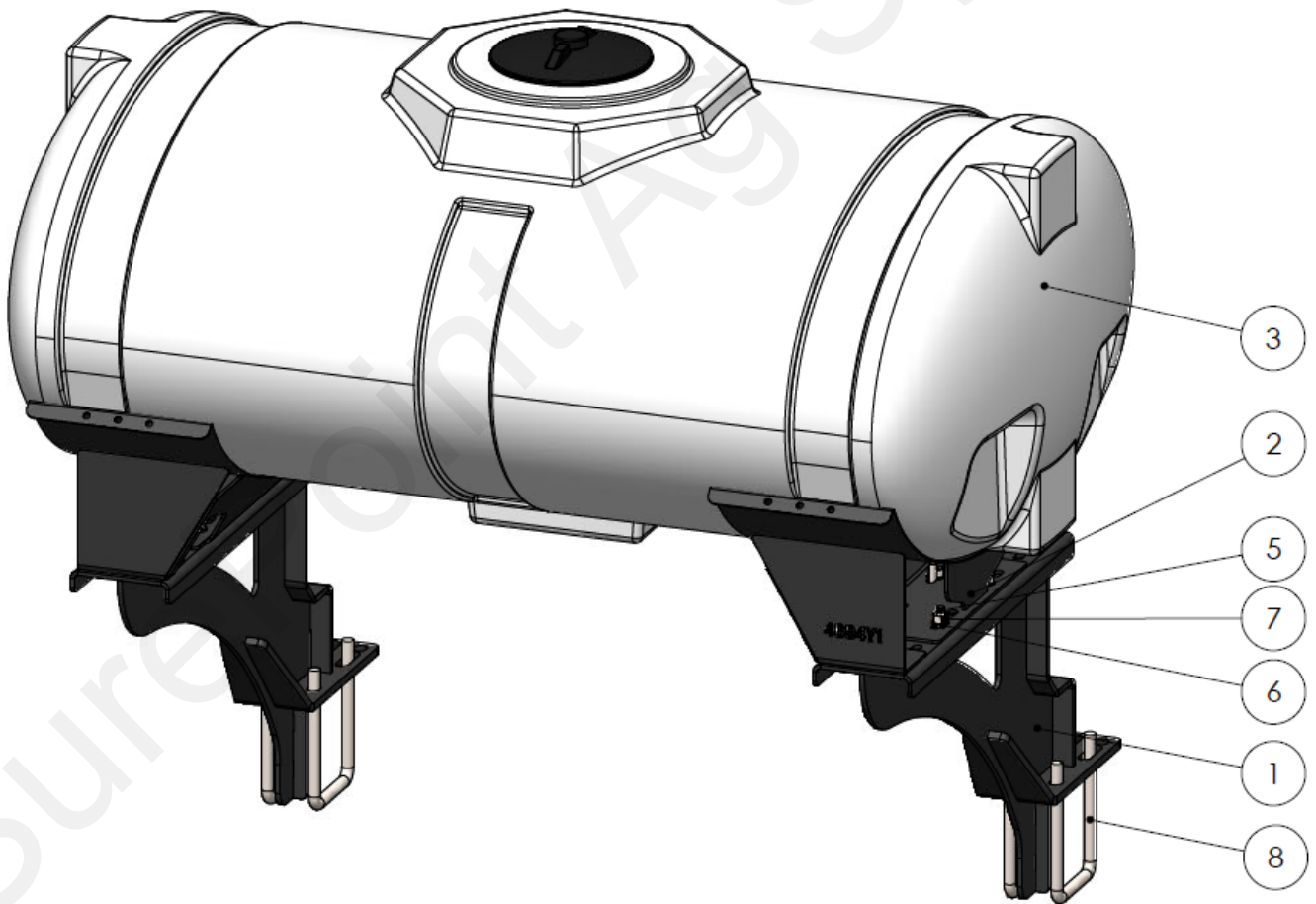




Parts List and Exploded View

530-03-300210

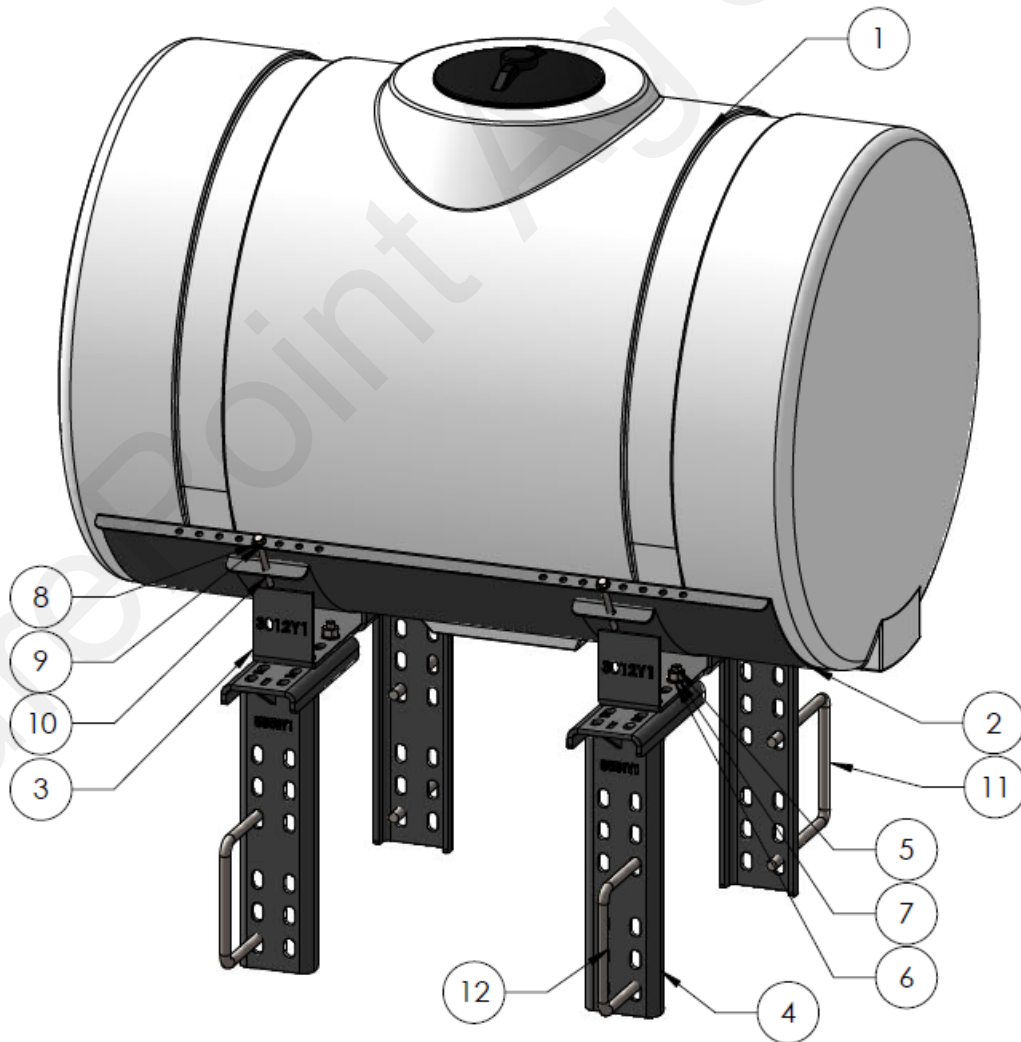
ITEM NO.	PART NUMBER	DESCRIPTION	QTY.
1	420-4724Y1	Kinze 16R Wing Mount Tank Bracket - Weldment	2
2	420-4694Y1	Tank Saddle Weld Assembly for 200 Gal Elliptical Tank	2
3	727-01-HE0200-41-W	Elliptical Tank - 200 Gal - White	1
4	525-2055	2" Strap Kit for Tanks under 300 Gallon	2
5	300-080108-5	1/2" x 1-1/2" Hex Head Bolt - G5	16
6	330-08	1/2" Flat Washer	16
7	323-08	1/2" Flange Nut	16
8	380-1073	3/4" U-bolt Kit - fits 5" x 7-1/2" tube (5" opening)	4





Parts List and Exploded View 530-03-300300 (No Markers)

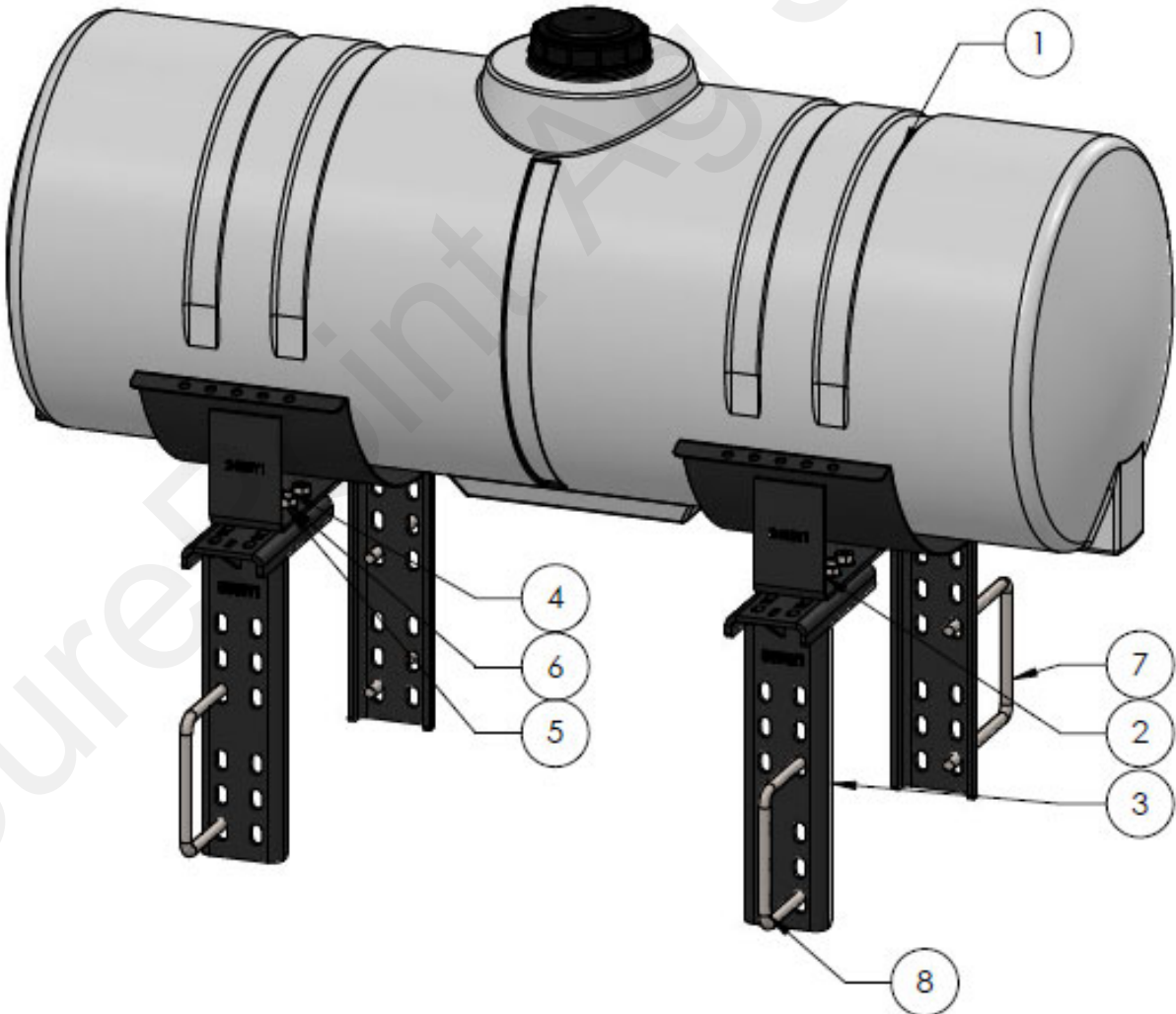
ITEM NO.	PART NUMBER	DESCRIPTION	QTY.
1	727-02-HZ0150-32-W	Horizontal Tank - 150 Gal - White - 32" x 52"	2
2	420-3003Y1	150 Gallon Round - 32"Ø - Tank Support Sheet	2
3	420-3012Y1	32"Ø Tank Saddle	4
4	420-5551Y1	Split H-Style Tank Mounting Bracket	8
5	300-080108-5	1/2" x 1-1/2" Hex Head Bolt - G5	32
6	330-08	1/2" Flat Washer	32
7	323-08	1/2" Flange Nut	32
8	300-060400-5	3/8" x 4" Hex Head Bolt - G5	8
9	330-06	3/8" Flat Washer	16
10	321-06	3/8" Nylock Nut	8
11	380-1045	5/8" U-bolt Kit - fits 7" x 5" tube - (7" opening)	4
12	380-1045	5/8" U-Bolt Kit - fits 7" x 5" tube - (7" opening)	4
13	525-2055	2" Strap Kit for Tanks under 300 Gallon	4





Parts List and Exploded View 530-03-300325 (MY10 and Older)

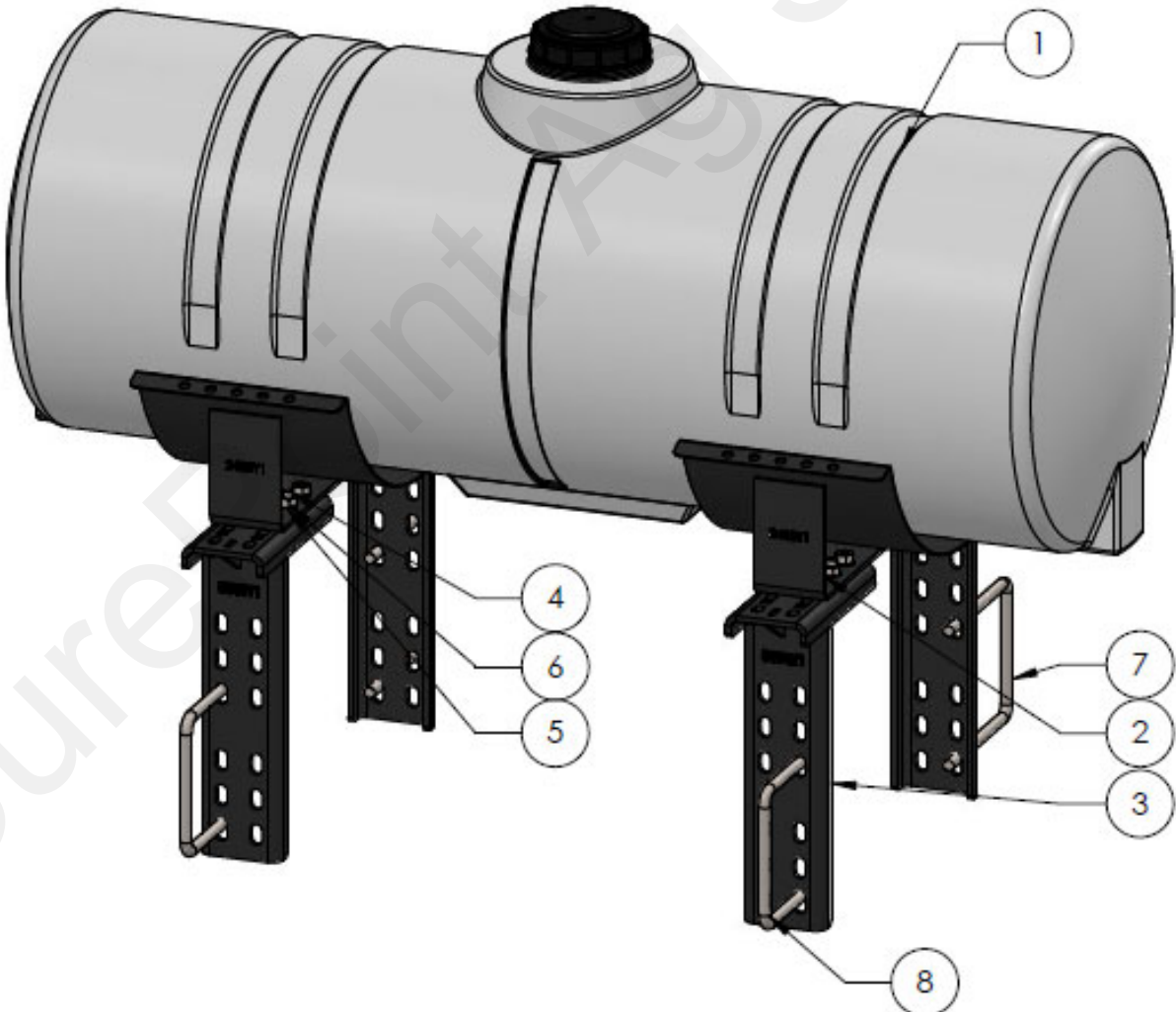
ITEM NO.	PART NUMBER	DESCRIPTION	QTY.
1	727-02-HZ0100-23-W	Horizontal Tank - 100 Gallon - 23" - White	2
2	420-2483Y1	23" Round Tank Saddle	4
3	420-5551Y1	Split H-Style Tank Mounting Bracket	8
4	300-080108-5	1/2" x 1-1/2" Hex Head Bolt - G5	32
5	330-08	1/2" Flat Washer	32
6	323-08	1/2" Flange Nut	32
7	380-1045	5/8" U-bolt Kit - fits 7" x 5" tube - (7" opening)	4
8	380-1045	5/8" U-Bolt Kit - fits 7" x 5" tube - (7" opening)	4
9	525-2055	2" Strap Kit for Tanks under 300 Gallon	4





Parts List and Exploded View 530-03-300350 (No Markers)

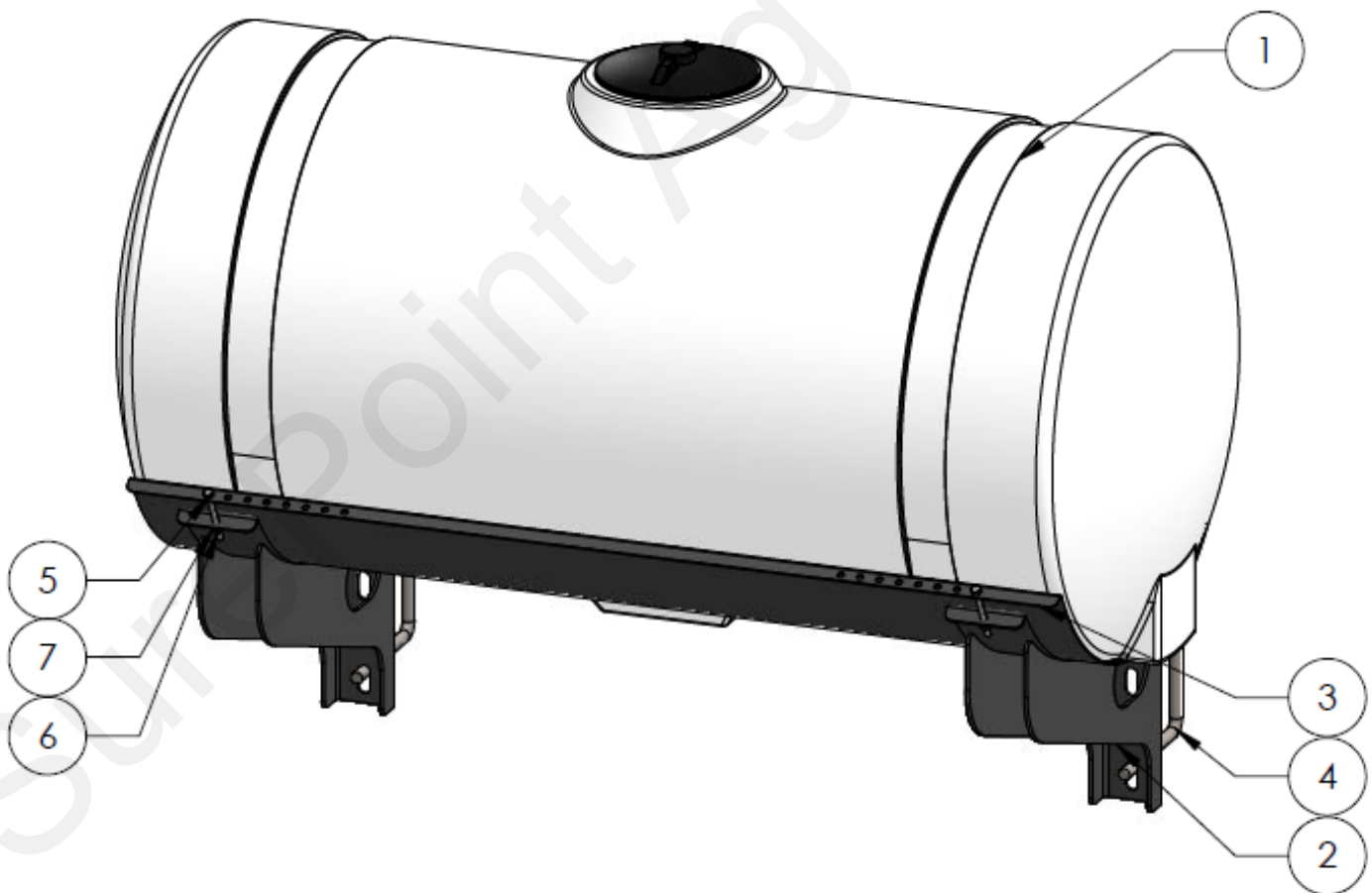
ITEM NO.	PART NUMBER	DESCRIPTION	QTY.
1	727-02-HZ0100-23-W	Horizontal Tank - 100 Gallon - 23" - White	2
2	420-2483Y1	23" Round Tank Saddle	4
3	420-5551Y1	Split H-Style Tank Mounting Bracket	8
4	300-080108-5	1/2" x 1-1/2" Hex Head Bolt - G5	32
5	330-08	1/2" Flat Washer	32
6	323-08	1/2" Flange Nut	32
7	380-1045	5/8" U-bolt Kit - fits 7" x 5" tube - (7" opening)	4
8	380-1045	5/8" U-Bolt Kit - fits 7" x 5" tube - (7" opening)	4
9	525-2055	2" Strap Kit for Tanks under 300 Gallon	4





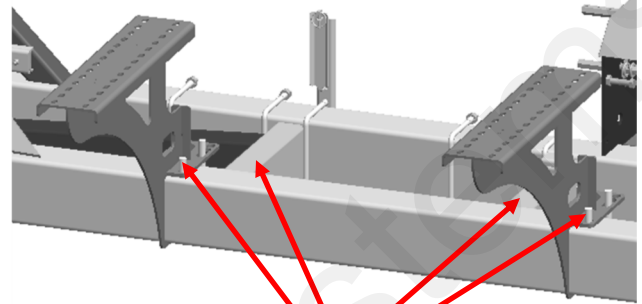
Parts List and Exploded View 530-03-300400

ITEM NO.	PART NUMBER	DESCRIPTION	QTY.
1	727-02-HZ0200-32-W	Horizontal Tank - 200 Gal - White - 32" x 68"	2
2	420-3032Y1	Offset Bar Mount Saddle for 32"Ø Tank	4
3	420-3002Y1	200 Gallon Round Tank Support Sheet	2
4	380-1069	3/4" U-bolt Kit - fits 7" x 5" tube (7" opening)	4
5	300-060400-5	3/8" x 4" HCS G5	8
6	321-06	3/8" Nylock Nut	8
7	330-06	3/8" Flat Washer	8
8	525-2055	2" Strap Kit for Tanks under 300 Gallon	4

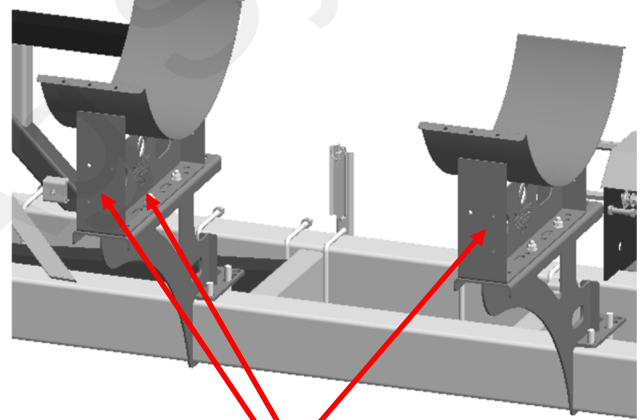


Step by Step Instructions

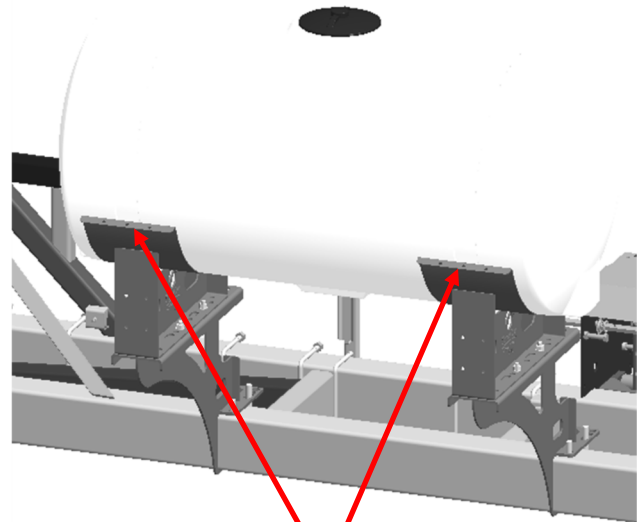
1. Loosely bolt 4724Y1 pedestals to the front bar using the 380-1073 U-Bolts. The pedestals can be mounted towards the front or the rear of the planter. Be sure to straddle the two cross beams on the outside of the wings.
2. Using the 1/2" Bolts, nuts, and washers, loosely bolt the saddles to the pedestals. The elliptical saddles can be mounted in several different configurations (see below) to move the tank and pedestals as necessary.
3. For Round Tanks: Place the support sheet on the saddles and bolt it down to the saddles using the provided 3/8" hardware.
4. Place the tank in the saddles lining the tank strap grooves with the hole pattern in the saddle (make sure tank sits straight in the saddles). Use the tank straps to tighten the tank down to the saddles.
5. Tighten the U-Bolts on the bar and the 1/2" saddle mounting bolts.
6. Tighten tank straps after filling.



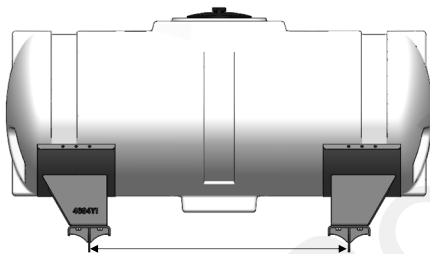
Step 1



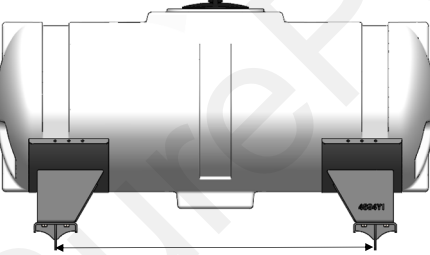
Step 2



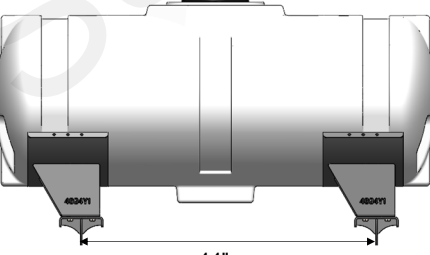
Step 3



Elliptical Configuration # 1



Elliptical Configuration # 2

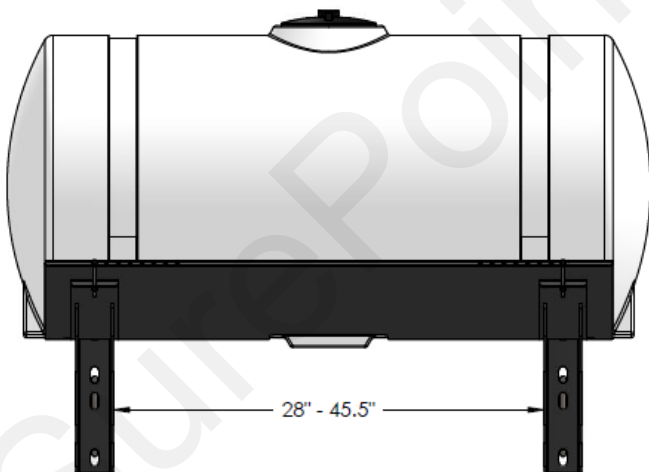
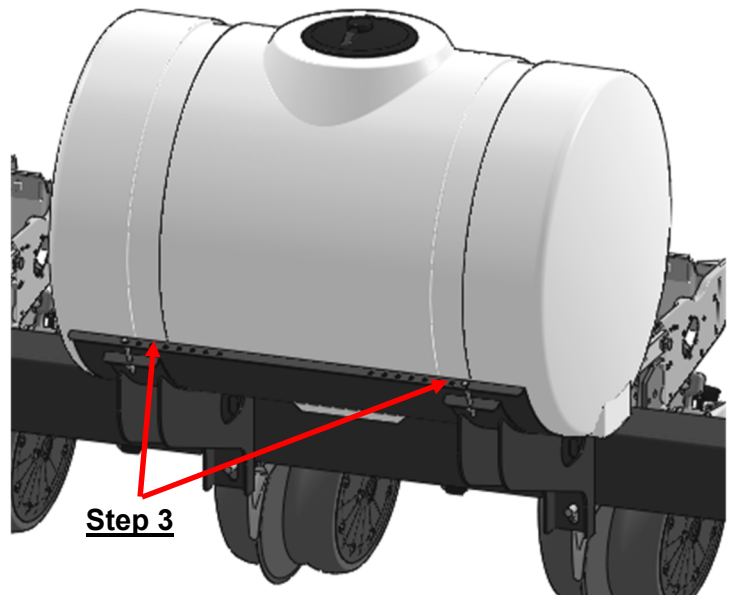
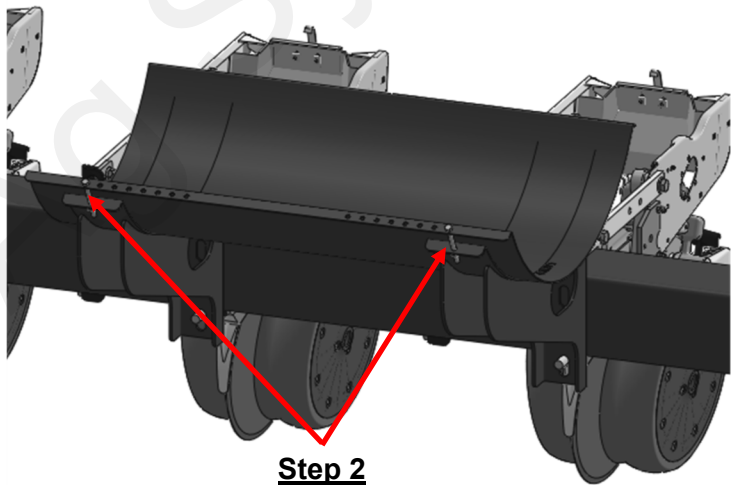
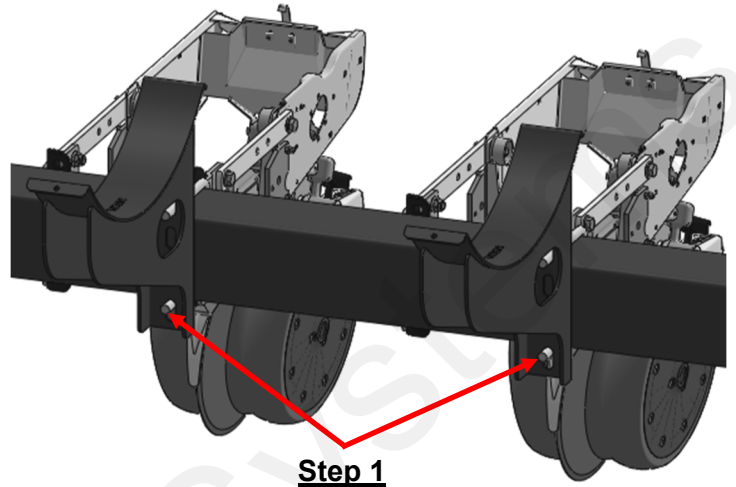


Elliptical Configuration # 3



Step by Step Instructions Low Profile Tank (Non-Split Row)

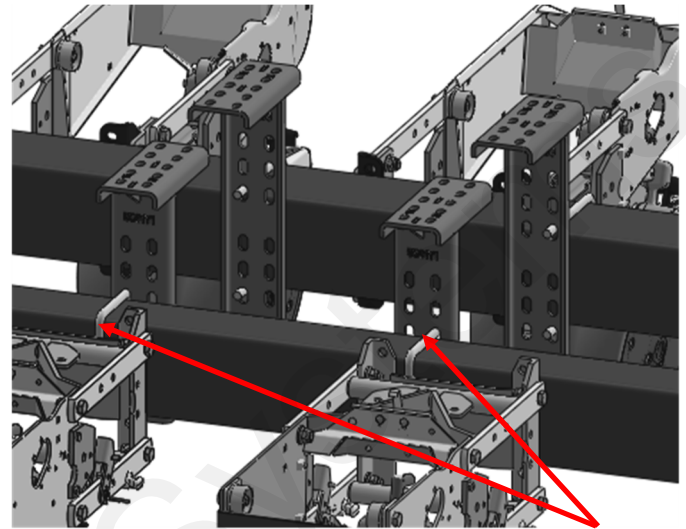
1. Using the provided U-Bolts, loosely bolt the tank mounting saddles to the front toolbar. Note that the saddles can be mounted anywhere from 28" to 45.5" apart.
2. Place the tank support sheet onto the saddles. Using the provided 3/8" hardware, loosely fasten the support sheet to the saddles.
3. Place the tank onto the support sheet. Using the tank straps, fasten the tank to the support sheet.
4. Tighten the U-Bolts, followed by the 3/8" support sheet hardware.
5. Tighten the tank straps after first filling to ensure tank is securely fastened to the support sheet.



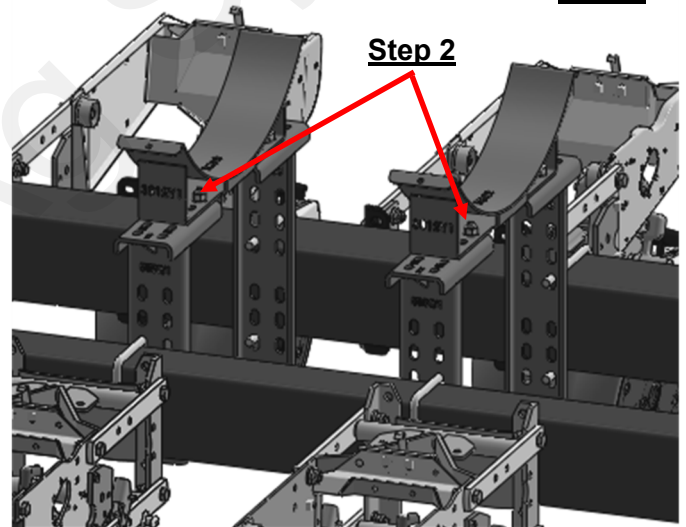


Step by Step Instructions Split-Row Tank Mounting

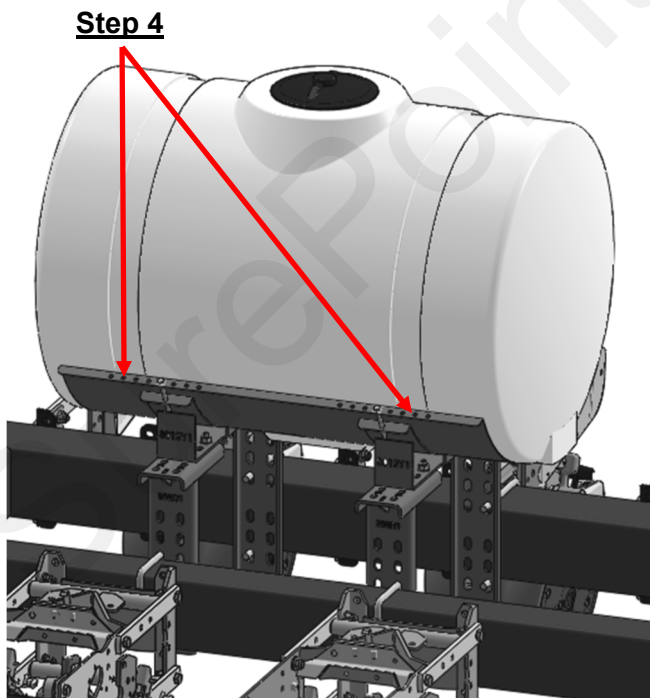
1. Using the provided U-Bolts, loosely bolt the Split H-Style mounting brackets to both toolbars. The Split H-Style mounting brackets provide adjustability up and down, as well as adjustability from a 12" to 26.5" footprint on the 150 Gallon Tanks and 21" to 37" on the 100 Gallon Tanks.
2. Place the tank saddles on the brackets and loosely fasten them using the provided 1/2" hardware. Adjust the tank forward or backward to fit your application.
3. Place the support sheet onto the saddles. Using the provided 3/8" hardware, loosely fasten the support sheet to the saddles.
4. Place the tank onto the support sheet. Using the tank straps, fasten the tank to the support sheet.
5. Tighten the U-Bolts, followed by the 3/8" support sheet hardware.
6. Tighten the tank straps after first filling to ensure tank is securely fastened to the support sheet.



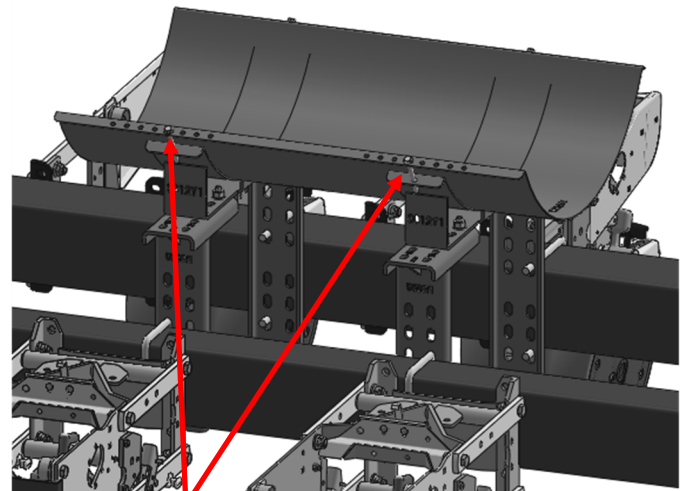
Step 1



Step 2



Step 4



Step 3

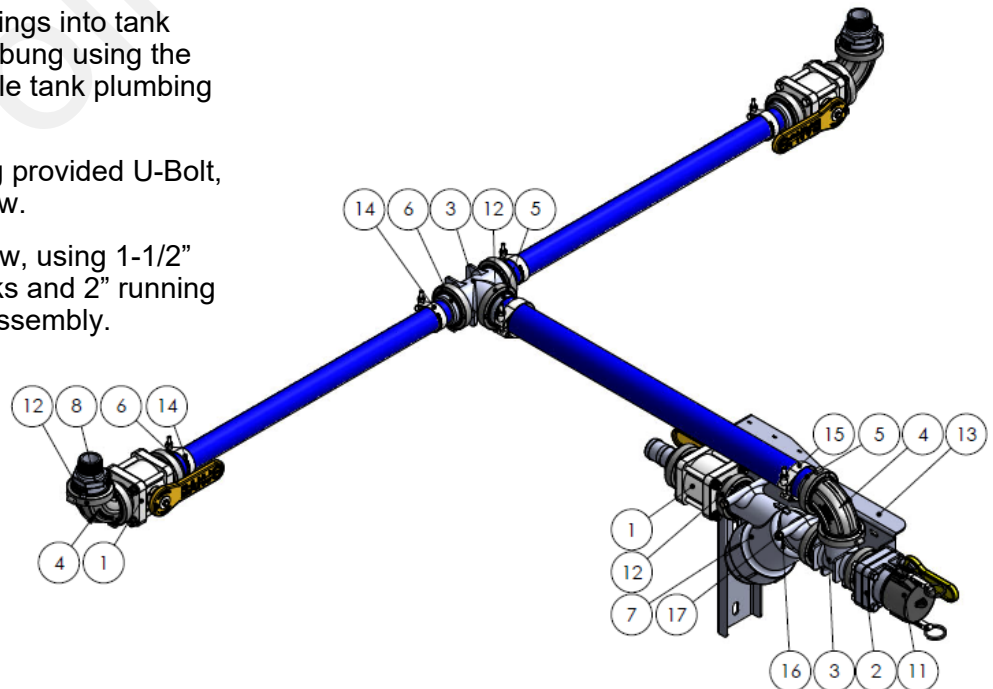


Fill Kit for Kinze 3605

Kit Description: Kinze 3605/3665 16R Wing Tank Fill/Discharge Kit
Kit Number: 520-00-250350

ITEM NO.	PART NUMBER	DESCRIPTION	QTY.
1	102-200MVCF	2" Manifold Ball Valve	3
2	102-200VSFCF	200 Series Manifold x 2" Male Quick Coupler Std Port Valve	1
3	105-200TEE	2" Flanged Tee Fitting	2
4	105-200SWP90	2" Manifold Sweep - 90 Degree	3
5	105-200BRB	2" Manifold x 2" HB	2
6	105-200150BRB	2" Manifold X 1-1/2" Barb	5
7	109-200MLS-20M	2" Manifold Y Strainer - 20 Mesh	1
8	105-200125MPT	2" Manifold x 1-1/4" MPT	2
9	280-200-ENF	2" Enforcer Fertilizer Solution Hose (ft)	10
10	280-150-ENF	1-1/2" Enforcer Fertilizer Solution Hose (ft)	60
11	106-200CAP	2" Cap	1
12	105-FC200	2" Manifold Clamp	15
13	400-5042Y1	Universal Bar Mounted Fill Kit Bracket	1
14	350-TC181	T-Bolt Hose Clamp - Fits 1-1/2" Enforcer	5
15	350-TC231	T-Bolt Hose Clamp - Fits 2" Enforcer	2
16	330-05	5/16" Flat Washer	2
17	300-050508-5	5/16" x 5-1/2" Hex Head Bolt - G5	2
18	323-05	5/16" Flange Nut	2
19	380-1016	1/2" U-Bolt Kit - fits 7" x 5" tube - (7" opening)	1

1. Thread 105-200125MPT fittings into tank bungs and plug the second bung using the 3/4" threaded plug. Assemble tank plumbing as shown below.
2. Bolt bracket to the bar using provided U-Bolt, assemble kit as shown below.
3. Route hoses as shown below, using 1-1/2" enforcer to come out of tanks and 2" running from the fill port to the tee assembly.



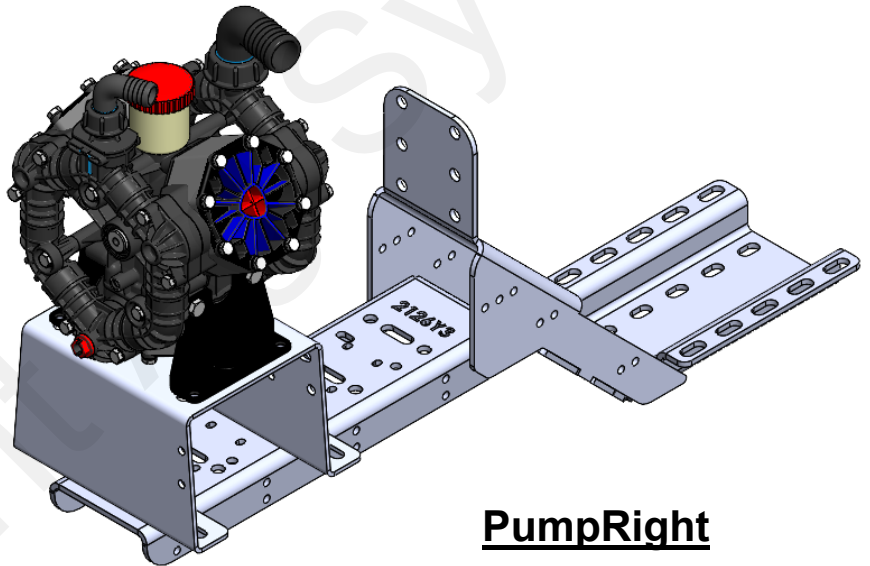


Pump Mounting Kit for Kinze 3605

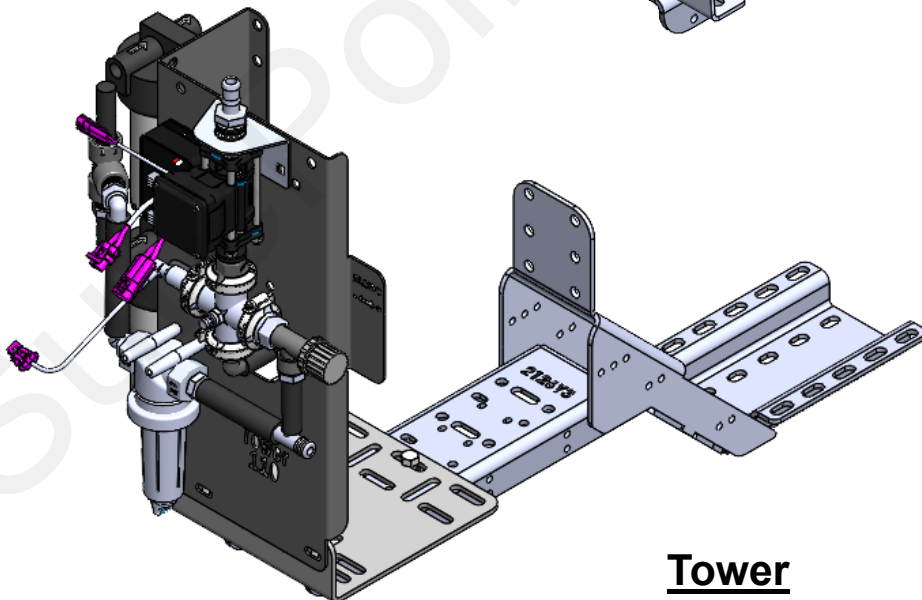
Kit Description: Between Row Mount Kit for Up to 7x7 Bar
Kit Number: 515-03-201600

ITEM NO.	PART NUMBER	DESCRIPTION	QTY.
1	400-2126Y3-BK	Between Row Mounting Bracket	1
2	300-080108-5	1/2" x 1-1/2" Hex Head Bolt - G5	4
3	323-08	1/2" Flange Nut	4
4	380-1014	1/2" U-Bolt Kit - fits 5" x 7" tube - (5" opening)	2

1. Mount bracket to the bar using the 380-1014 U-Bolts. For a row box planter mount the bracket on the top bar to ensure proper clearance from boxes.
2. Place your pump onto the bracket, use the 1/2" bolts and nuts to fasten it to the bracket.
3. Check around the bracket and pump for obstructions into the rows. Tighten bolts and U-Bolts.



PumpRight



Tower

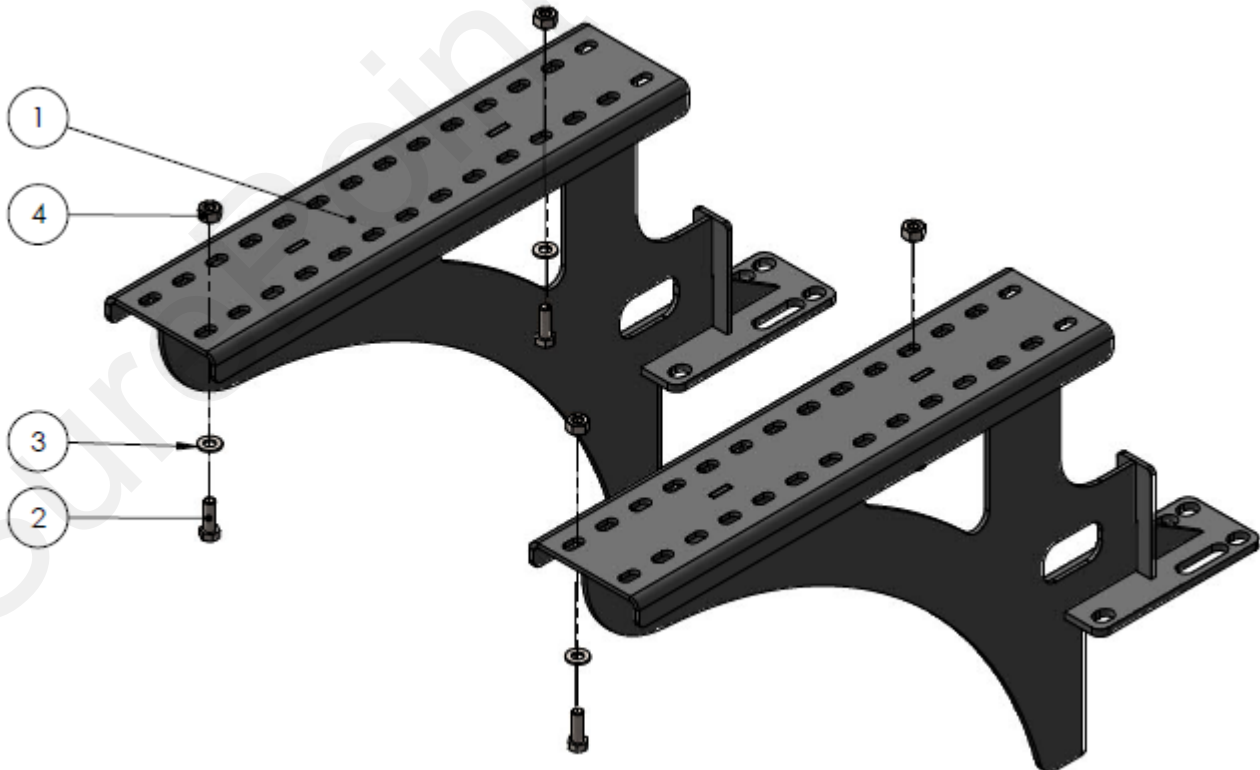


Optional Items that may be suggested for this equipment Cont'd.

Kit Description: Accelerator Mounting Kit for Kinze 3605/3665 Kit Number: 530-03-350100

ITEM NO.	PART NUMBER	DESCRIPTION	QTY.
1	420-4724Y1-BK	Kinze 16R Wing Tank Mounting Bracket	2
2	300-080108-5	1/2" x 1-1/2" Hex Head Bolt - G5	4
3	330-08	1/2" Flat Washer	4
4	323-08	1/2" Flange Nut	4
5	380-1073	3/4" U-Bolt Kit - fits 5" x 7-1/2" bar - (5" opening)	4

1. Loosely bolt 420-4724Y1 brackets to the bar using the provided U-Bolts. Refer to next page for Accelerator dimensions to find the required bracket footprint for your tank.
2. Place Accelerator assembly on mounting brackets, use 1/2" bolts, washers, and nuts to fasten the tank to the brackets.
3. Tighten mounting bolts and U-Bolts.



THE ACCELERATOR

General Dimensions SurePoint Accelerator Tanks

