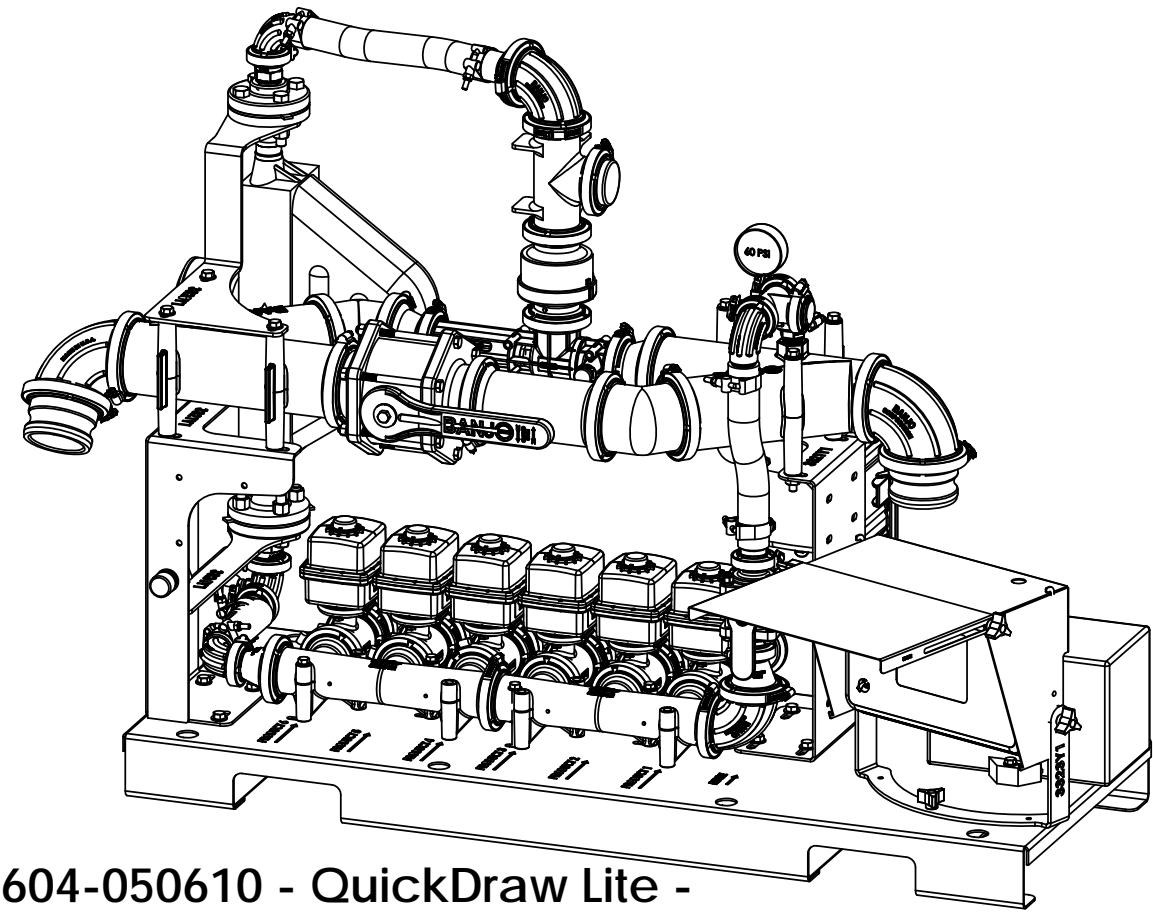
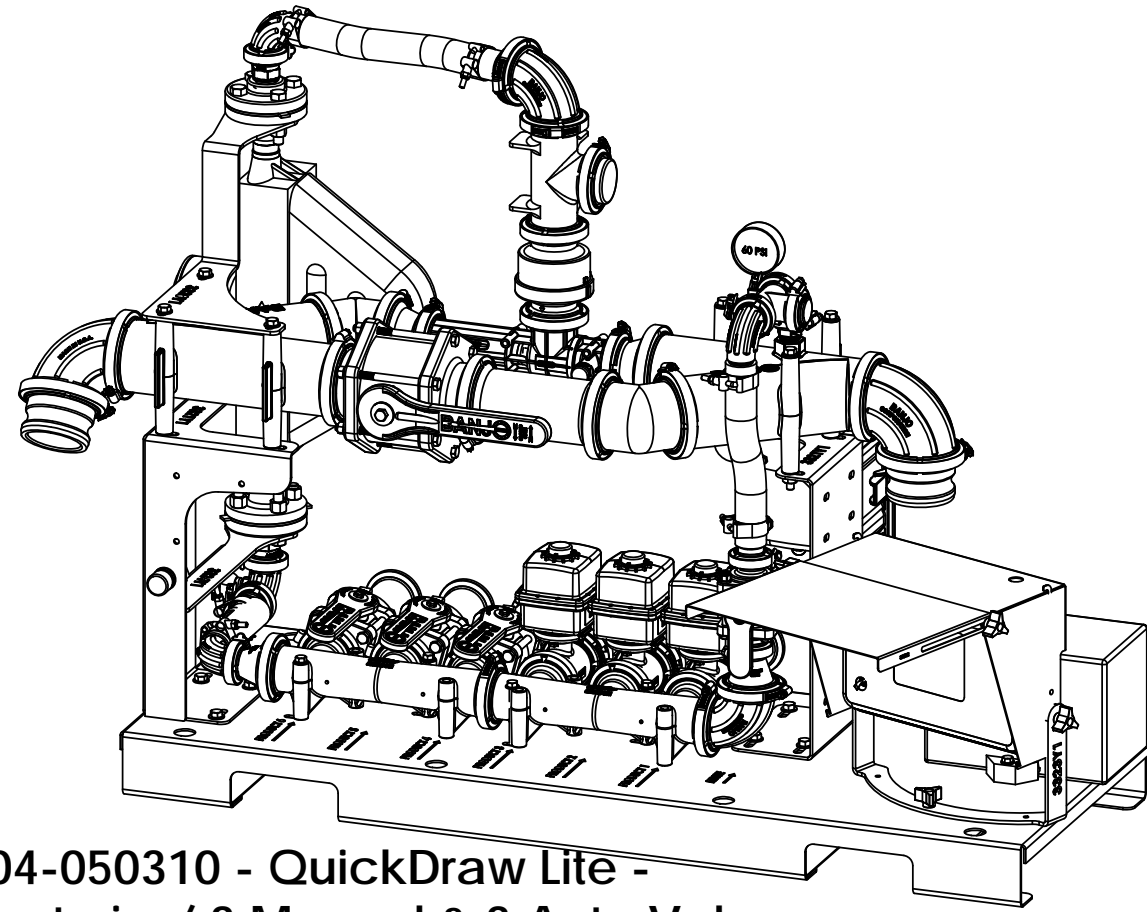


604-050110 - QuickDraw Lite -
Venturi w/6 Manual Valves

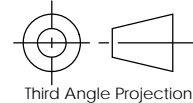


604-050610 - QuickDraw Lite -
Venturi w/ 6 Auto Valves



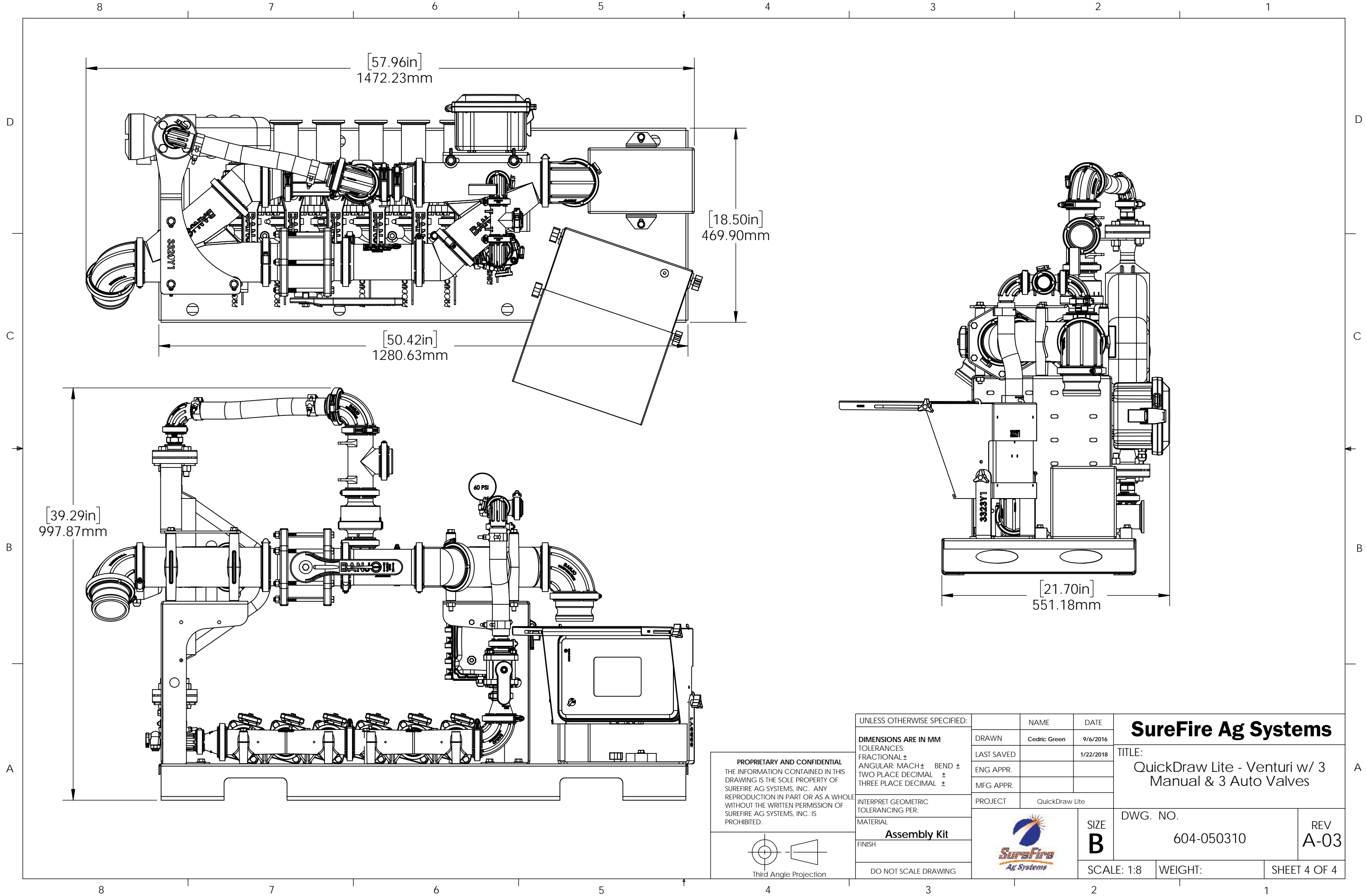
604-050310 - QuickDraw Lite -
Venturi w/ 3 Manual & 3 Auto Valves

PROPRIETARY AND CONFIDENTIAL
THE INFORMATION CONTAINED IN THIS DRAWING IS THE SOLE PROPERTY OF SUREFIRE AG SYSTEMS, INC. ANY REPRODUCTION IN PART OR AS A WHOLE WITHOUT THE WRITTEN PERMISSION OF SUREFIRE AG SYSTEMS, INC. IS PROHIBITED.



UNLESS OTHERWISE SPECIFIED:		NAME	DATE	SureFire Ag Systems
DIMENSIONS ARE IN MM		DRAWN	9/6/2016	
TOLERANCES:		LAST SAVED	1/22/2018	TITLE: QuickDraw Lite - Venturi w/ 3 Manual & 3 Auto Valves
FRACTIONAL ±		ENG APPR.		
ANGULAR: MACH ± BEND ±		MFG APPR.		DWG. NO. 604-050310
TWO PLACE DECIMAL ±		PROJECT	QuickDraw Lite	
THREE PLACE DECIMAL ±				REV A-03
INTERPRET GEOMETRIC TOLERANCING PER:				SCALE: 1:10
MATERIAL				
FINISH				SHEET 3 OF 4
DO NOT SCALE DRAWING				





[57.96in]
1472.23mm

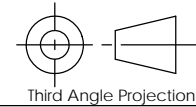
[18.50in]
469.90mm

[50.42in]
1280.63mm

[39.29in]
997.87mm

[21.70in]
551.18mm

PROPRIETARY AND CONFIDENTIAL
THE INFORMATION CONTAINED IN THIS DRAWING IS THE SOLE PROPERTY OF SUREFIRE AG SYSTEMS, INC. ANY REPRODUCTION IN PART OR AS A WHOLE WITHOUT THE WRITTEN PERMISSION OF SUREFIRE AG SYSTEMS, INC. IS PROHIBITED.



UNLESS OTHERWISE SPECIFIED:	
DIMENSIONS ARE IN MM	
TOLERANCES:	
FRACTIONAL ±	
ANGULAR: MACH ±	BEND ±
TWO PLACE DECIMAL ±	
THREE PLACE DECIMAL ±	
INTERPRET GEOMETRIC TOLERANCING PER:	
MATERIAL	
Assembly Kit	
FINISH	
DO NOT SCALE DRAWING	

NAME	DATE
Cedric Green	9/6/2016
LAST SAVED	1/22/2018
ENG APPR.	
MFG APPR.	
PROJECT	QuickDraw Lite

SureFire Ag Systems	
TITLE: QuickDraw Lite - Venturi w/ 3 Manual & 3 Auto Valves	
DWG. NO.	REV
604-050310	A-03
SCALE: 1:8	WEIGHT:
SHEET 4 OF 4	

