



396-5756Y1

JD 1775NT Rear Mounting Installation Instructions

Kit Number: 515-03-201100

**Kit Description: JD 1775NT Rear Tower / PumpRight Mounting Kit
(For Use with Non-Electric Drive Planters)**

Kit Number: 530-01-025400

**Kit Description: Tank Kit, 1775NT Rear 26 Gallon Rinse/Product Tank
(For Use with Non-Electric Drive Planters)**



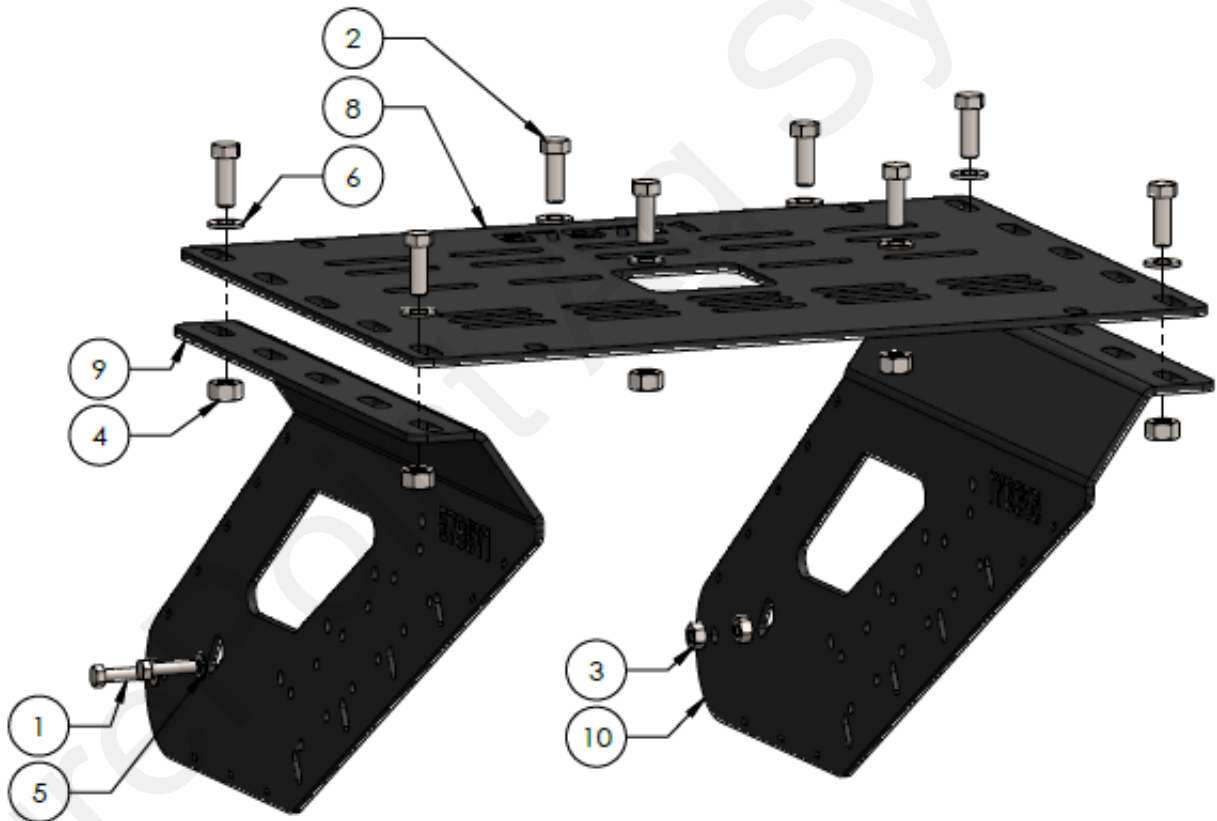
Kit Shown: 530-01-025400



Parts List

515-03-201100

ITEM NO.	PART NUMBER	DESCRIPTION	QTY.
1	300-060108-5	3/8" x 1-1/2" Hex Head Bolt - G5	4
2	300-080108-5	1/2" x 1-1/2" Hex Head Bolt - G5	8
3	323-06	3/8" Flange Nut	4
4	323-08	1/2" Flange Nut	8
5	330-06	3/8" Flat Washer	4
6	330-08	1/2" Flat Washer	8
7	396-5756Y1	JD 1775NT Rear Mounting Installation Instructions	1
8	400-5797Y1-BK	JD 1775NT Rear Rinse Tank/Pump Mount - Main Plate	1
9	400-5798Y1-BK	JD 1775NT Rear Rinse Tank/Pump Mount - Left	1
10	400-5799Y1-BK	JD 1775NT Rear Rinse Tank/Pump Mount -Right	1



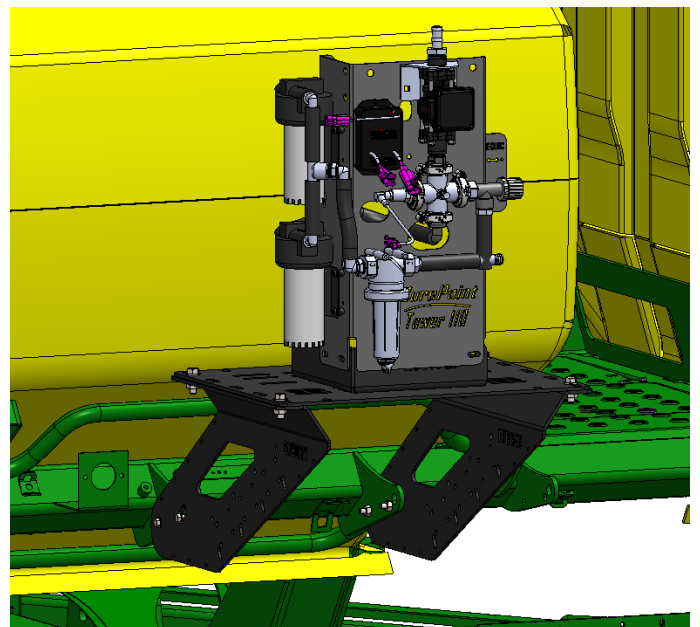
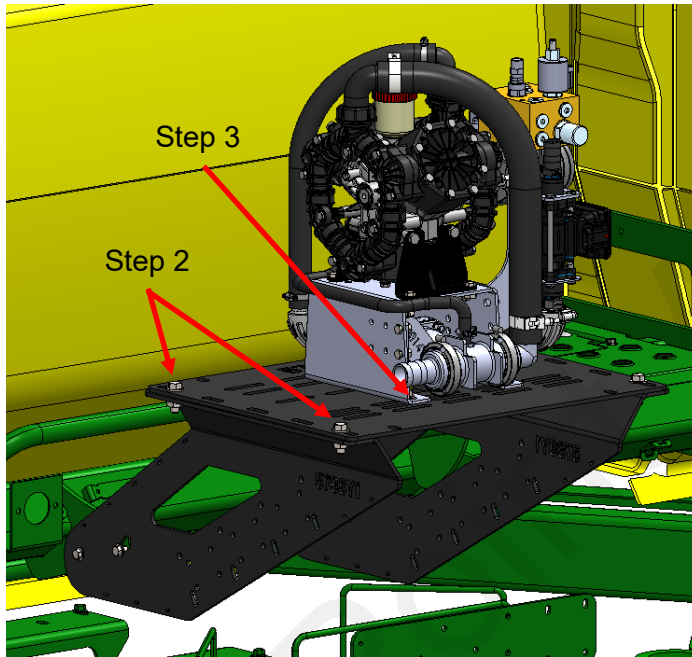
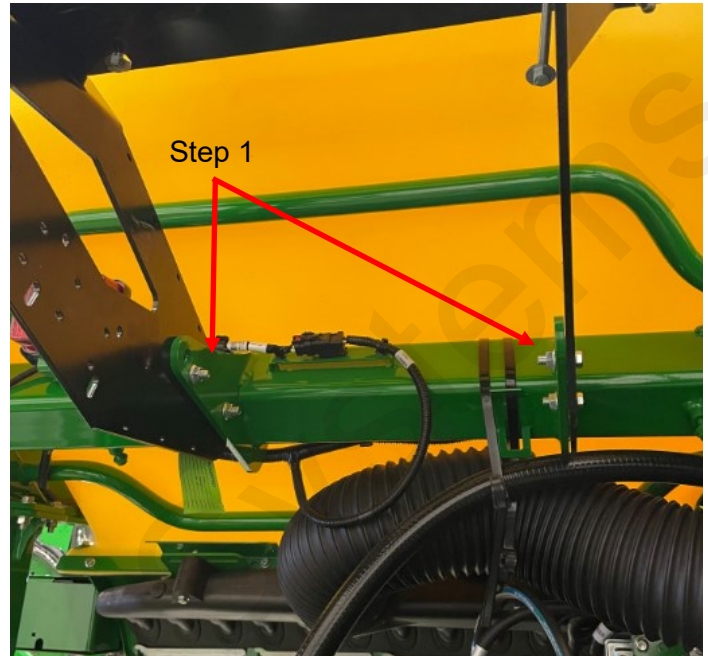


Step by Step Instructions

515-03-201100

1. Using the 3/8" hardware provided in kit, loosely mount 5798Y1 and 5799Y1 to implement, as shown on the right.
2. Mount 5797Y1 to left and right plate, using four (4) 1/2" x 1-1/2" hex head bolts, washers, and flange nuts.
3. Mount PumpRight to 5797Y1 using four (4) 1/2" x 1-1/2" hex head bolts, washers, and flange nuts.

Check for any clearance issues and tighten hardware.



Tower Mounting:

1. Repeat steps 1 and 2 from above.
2. Mount 410-2057A2 (suggested item) using four (4) 1/2" x 1-1/2" hex head bolts, washers, and flange nuts.
3. Mount tower to bracket using the provided carriage bolts and flange nuts.



Parts List

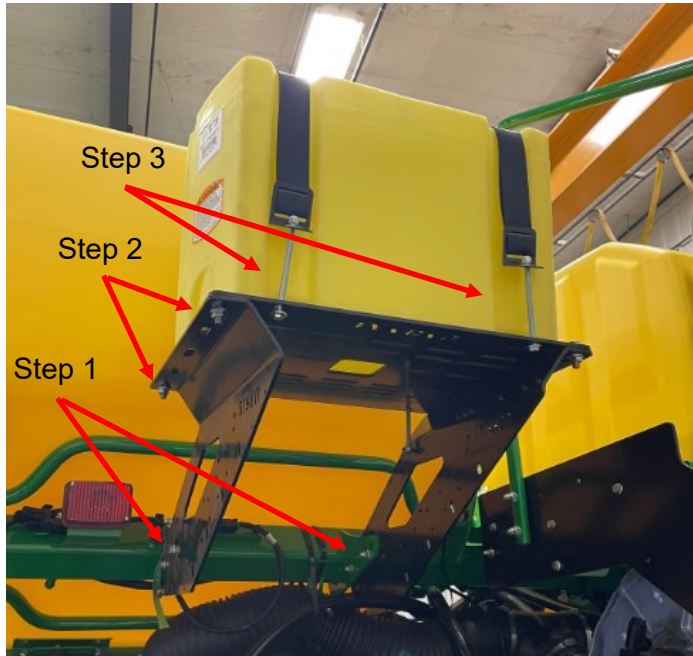
530-01-025400

ITEM NO.	PART NUMBER	DESCRIPTION	QTY.
1	108-TF100	1" Tank Bung	1
2	300-060108-5	3/8" x 1-1/2" Hex Head Bolt - G5	4
3	300-080108-5	1/2" x 1-1/2" Hex Head Bolt - G5	8
4	323-06	3/8" Flange Nut	4
5	323-08	1/2" Flange Nut	8
6	330-06	3/8" Flat Washer	4
7	330-08	1/2" Flat Washer	8
8	396-5756Y1	JD 1775NT Rear Mounting Installation Instructions	1
9	400-5797Y1-BK	JD 1775NT Rear Rinse/Pump Mount - Main Plate	1
10	400-5798Y1-BK	JD 1775NT Rear Rinse/Pump Mount - Left	1
11	400-5799Y1-BK	JD 1775NT Rear Rinse/Pump Mount - Right	1
12	525-2055	2" Strap Kit for Tanks under 300 Gallon	2
13	727-05-SP0026-Y	Yellow Specialty Flat Bottom Utility Tank - 26 Gallon	1



Step by Step Instructions

530-01-025400



1. Using the 3/8" hardware provided in kit, loosely mount 5798Y1 and 5799Y1 to implement, as shown on the left.
2. Mount 5797Y1 to left and right plate, using four (4) 1/2" x 1-1/2" hex head bolts, washers, and flange nuts.
3. Mount 26 gallon tank using the tank straps provided in kit.
4. Check for any clearance issues and tighten hardware and tank straps.

Tighten tank straps again after filling tank.



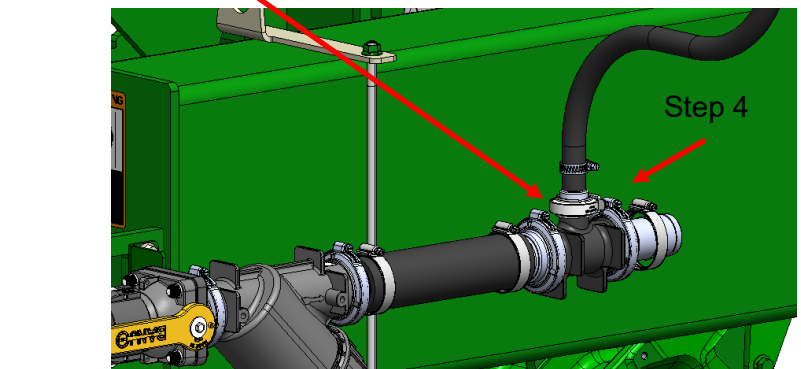
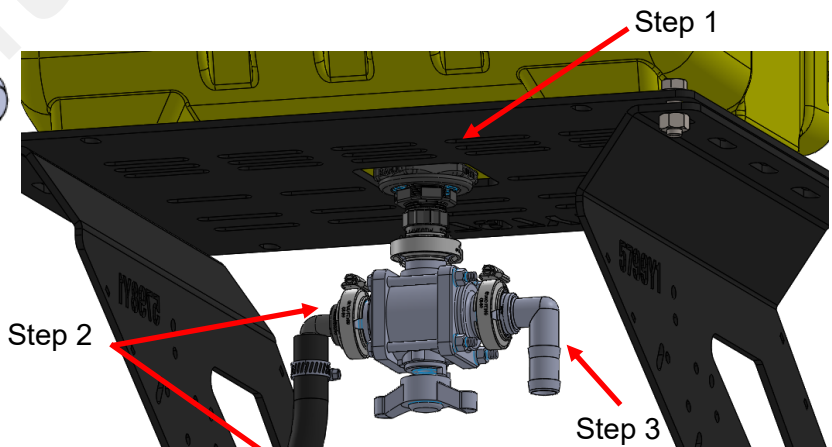
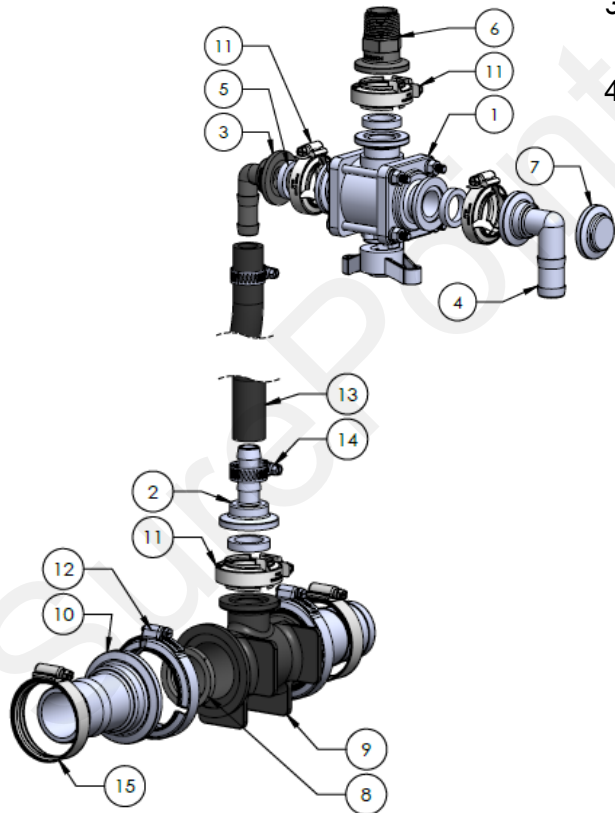
Plumbing Kit Instructions

520-00-101750

Rinse Kit for use with 26 Gal Tank

ITEM NO.	PART NUMBER	DESCRIPTION	QTY.
1	102-100MV-3BL	1" Manifold 3-Way Valve - Bottom Load	1
2	105-100075BRB	1" Manifold x 3/4" HB	1
3	105-100075BRB90	1" Manifold x 3/4" HB - 90 Degree	1
4	105-100BRB90	1" Manifold x 1" HB - 90 Degree	1
5	105-100G	1" EPDM Manifold Gasket	3
6	105-100MPT	1" Flange x 1" Male Thread	1
7	105-100PLG	1" Manifold Plug	1
8	105-200G	2" EPDM Manifold Gasket for 220 Series Manifold Fittings	2
9	105-220100TEE	2" Full Port Manifold x 1" Manifold Tee	1
10	105-220BRB	2" Full Port Manifold x 2" HB	2
11	105-FC100	1" Manifold Clamp	3
12	105-FC220	2" Full Port Manifold Clamp	2
13	280-075-AG200	3/4" AG200 Bulk	10'
14	350-1208	SS Hose Clamp - Size 12 - 1-1/4" Diameter	2
15	350-PS288	Pressure Seal HD Clamp, Size 288 - 2.125" - 2.626"	2

1. Thread MPT fitting into bottom of tank.
2. Assembly plumbing fittings as shown, using manifold clamps and gaskets.
3. Use either Plug or 90° hose barb on second valve outlet. (HB fitting provided for hand washing.)
4. Route hose and tee into 2" fill/discharge line.



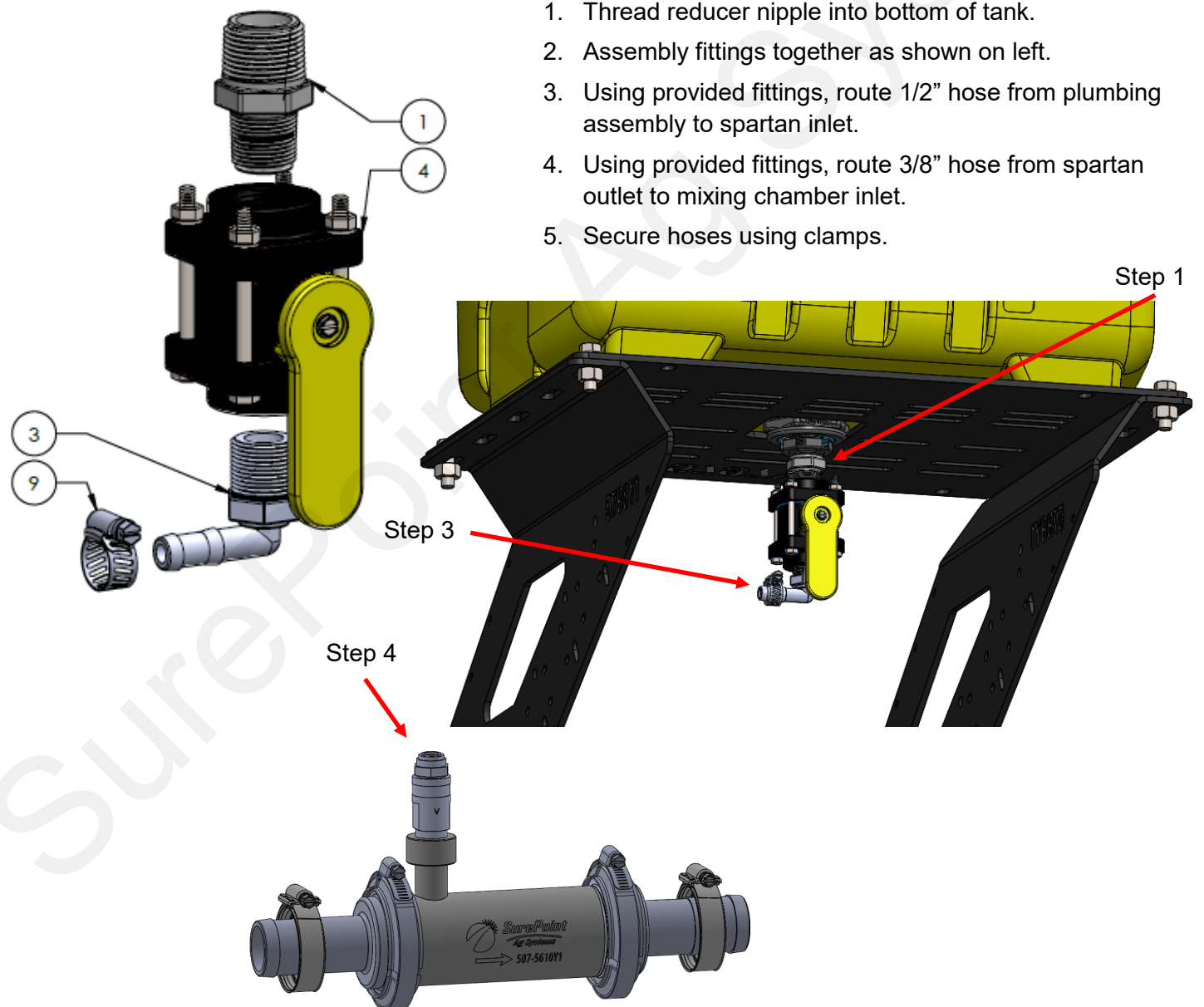


Plumbing Kit Parts List

520-00-101760

Direct Injection Kit for use with 26 Gal Tank

ITEM NO.	PART NUMBER	DESCRIPTION	QTY.
1	100-100075RN	1" x 3/4" Reducer Nipple	1
2	101-050050	1/2" MPT x 1/2" HB	1
3	101-075050-90	3/4" MPT x 1/2" HB - 90 Degree	1
4	102-075VFP	3/4" FPT Full Port Poly Valve	1
5	113-01-038038	3/8" Stem x 3/8" Hose Barb	2
6	113-12-038038	Black Composite Stem Elbow - 3/8" Stem x 3/8" QC	1
7	283-038-15018560	Bulk 3/8" EVA Clear Reinforced Tubing	4'
8	283-050-15018570	Bulk 1/2" EVA Clear Reinforced Tubing	4'
9	350-0605	SS Hose Clamp - Size 6 - 7/8" Diameter	4



1. Thread reducer nipple into bottom of tank.
2. Assembly fittings together as shown on left.
3. Using provided fittings, route 1/2" hose from plumbing assembly to spartan inlet.
4. Using provided fittings, route 3/8" hose from spartan outlet to mixing chamber inlet.
5. Secure hoses using clamps.

Note: Mixing Chamber not included in kit.