



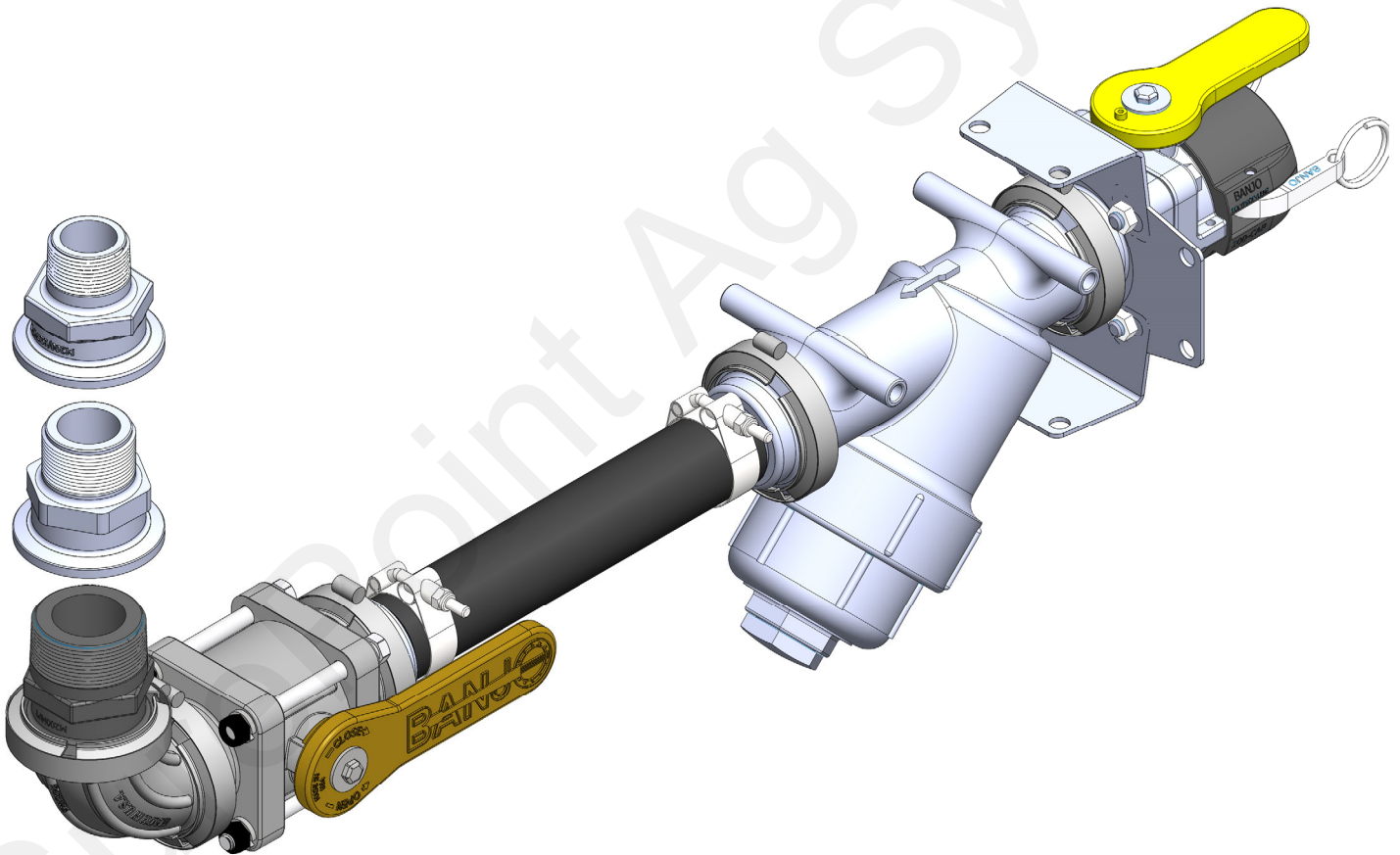
396-2882Y1

Plumbing Fill Kit

Installation Instructions

Kit Number: 520-00-1016

Kit Description: 2" Flange Fill Kit to 2" HB with 2" Hose

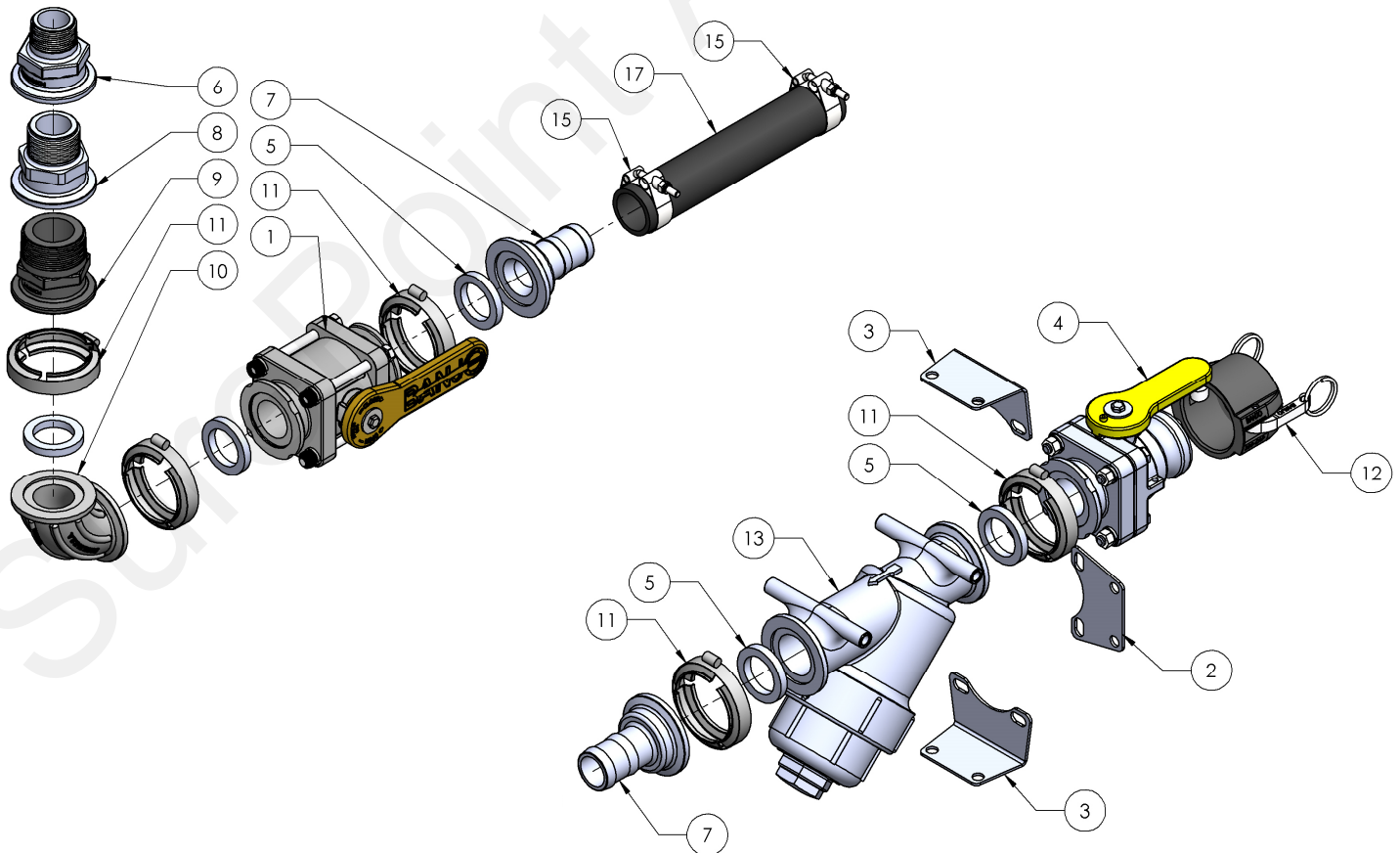




Parts List and Exploded View

ITEM NO.	PART NUMBER	DESCRIPTION	QTY.
1	102-200MVCF	2" Manifold Standard Port Poly Valve	1
2	102-200VBR	2" Mounting Bracket - Straight	1
3	102-200VBR-90	2" Mounting Bracket - 90 Degree	2
4	102-200VSFCF	200 Series Manifold x 2" Male Quick Coupler Standard Port Poly Valve	1
5	105-150G-H	1-1/2" EPDM Manifold Gasket for 200 Series Manifold Fittings	5
6	105-200125MPT	2" Manifold x 1-1/4" MPT	1
7	105-200150BRB	2" Manifold x 1-1/2" Hose Barb	1
8	105-200150MPT	2" Manifold x 1-1/2" MPT	1
9	105-200MPT	2" Manifold x 2" MPT	1
10	105-200SWP90	2" Manifold Sweep—90 Degree	1
11	105-FC200	2" Manifold Clamp	5
12	106-200CAP	2" Cap	1
13	109-200MLS-20M	2" Manifold Y Strainer - 20 Mesh w/ 5/16" bolt holes for mounting	1
14	350-TC231	Pressure Seal HD Clamp, Size 288 (fits 2" Enforcer and Wire Braided)	2
15	384-1095	Hardware Kit - 3/8" Hex Cap Bolts and 3/8" Flange Nuts (Qty: 4)	1
16	384-1004	Hardware Kit - Qty 6 Size 12 x 1-1/4" Self Drilling Screws with Qty 4 5/16" Fender Washers	1
17	280-200-ENF	2" Enforcer Fertilizer Solution Hose	1

*Fittings included for 2", 1-1/2" or 1-1/4" tank opening.



Step by Step Instructions

1. Thread 2", 1-1/2" or 1-1/4" Manifold x MPT fitting into tank opening.
2. Assemble tank valve manifold fittings as shown.
3. Remove nuts on Poly Valve (Item 4) as required to fasten mounting brackets (Item 2 or Item 3) to valve and replace nuts, tighten. *(Often, only one bracket is used to mount the fill valve. Straight and 90° bracket are shown to illustrate both options.)*
4. Using hardware kits (Item 15, 16) fasten poly valve and mounting brackets to implement.
5. Assemble fill kit strainer assembly as shown.
6. Route 2" hose (Item 17) from strainer assembly hose barb (Item 7) to tank opening hose barb (Item 7) and tighten using two hose clamps (Item 15).

